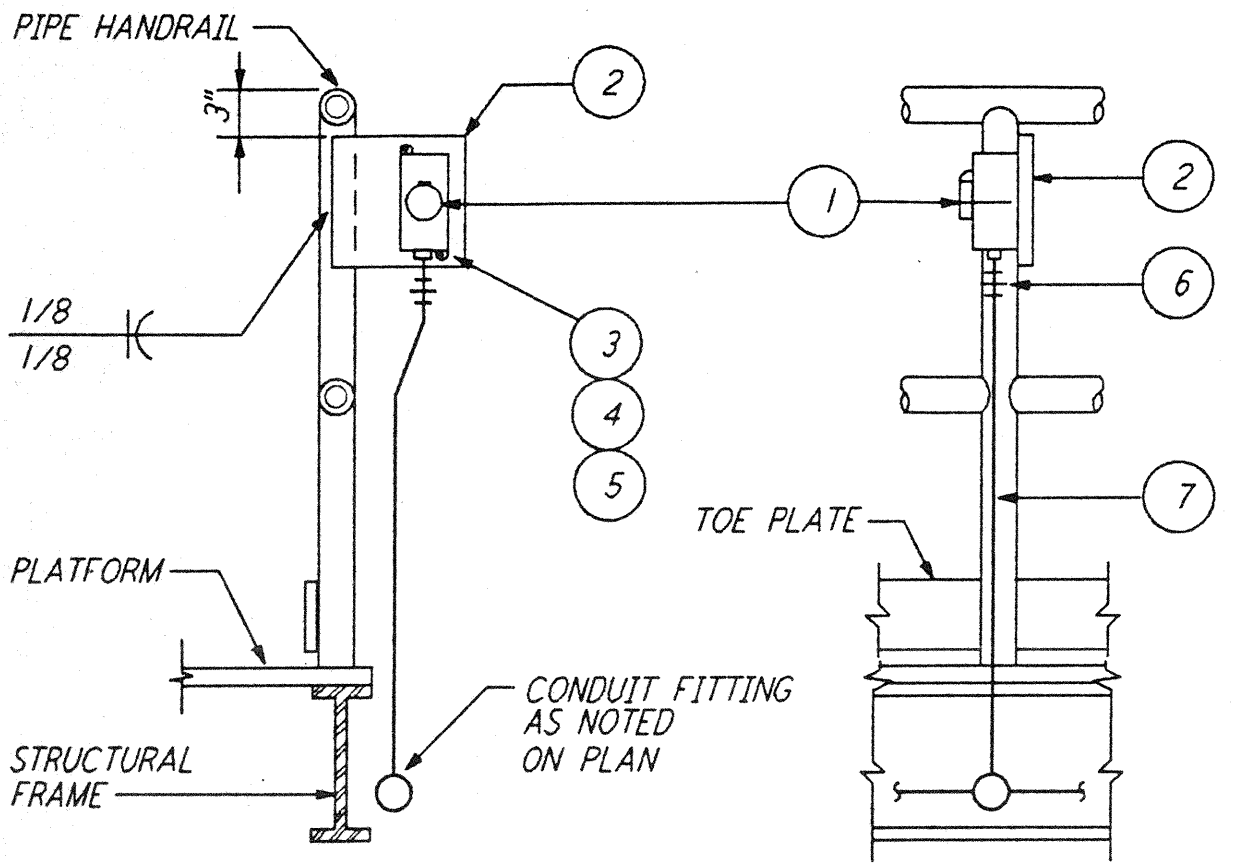


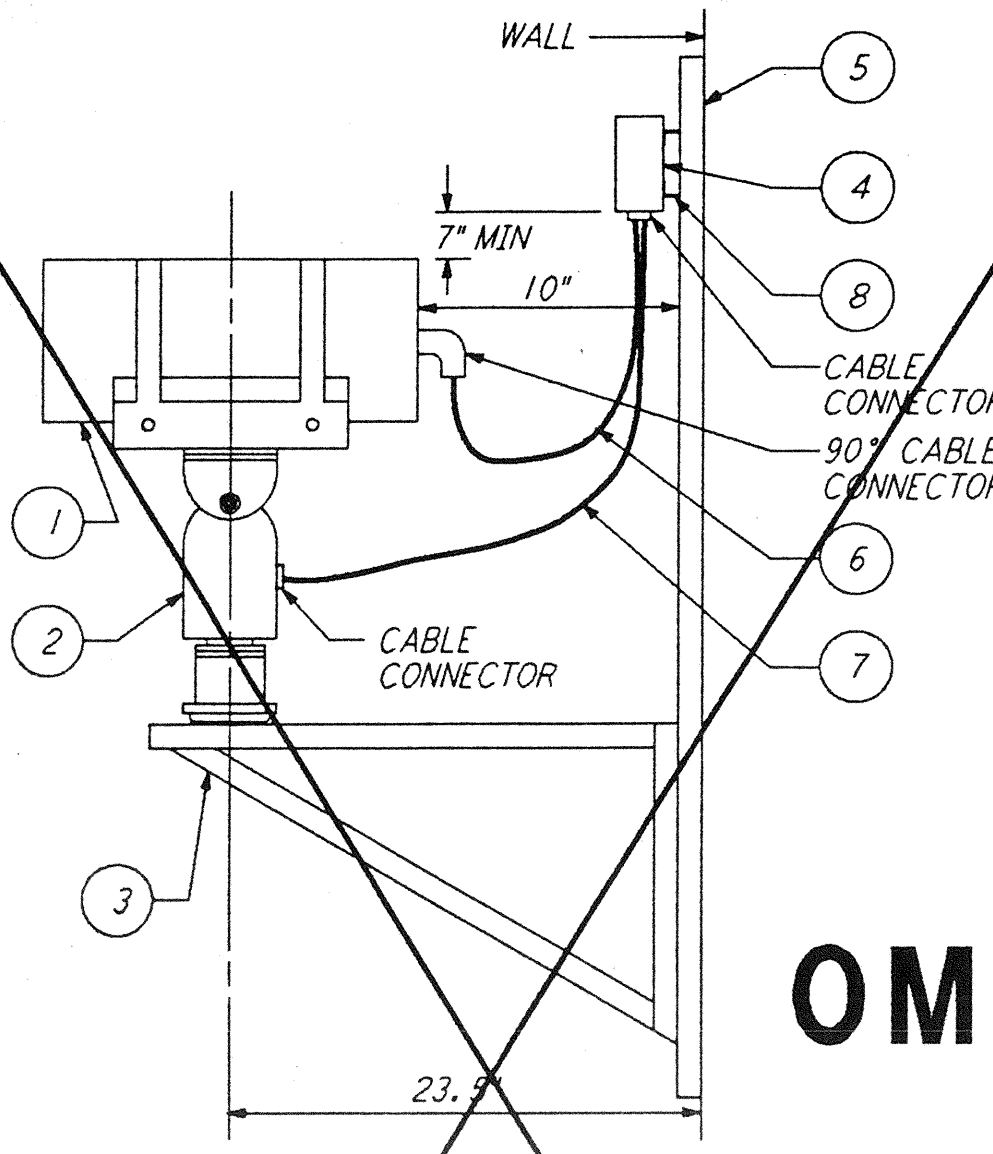
not be reproduced, copied, loaned, exhibited, or used in any other way, except by written consent from PARSONS to the borrower.

This document and the design it covers are the property of PARSONS. They are loaned only with the borrower's expressed written agreement that they will



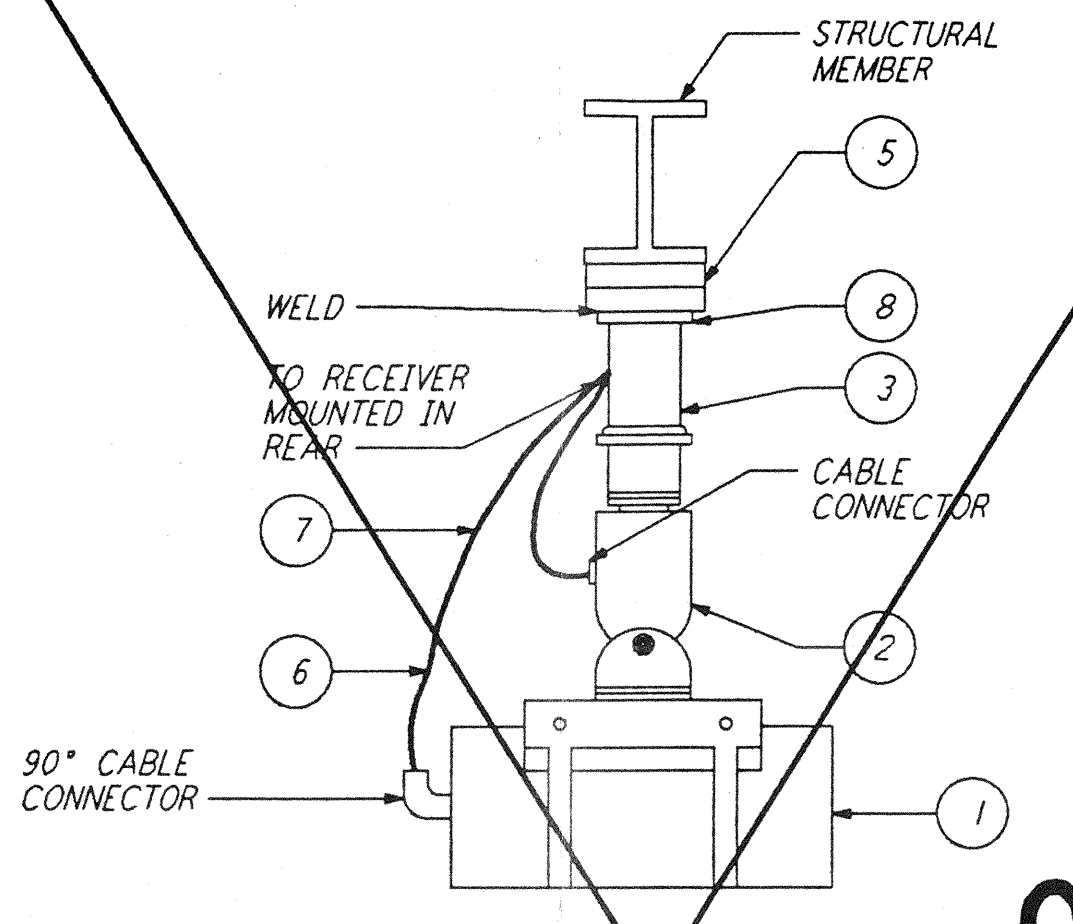
ITEM NO.	QTY	DESCRIPTION
1	1	RCPT 115V, 20A, 2W-3P, MOUNTED IN A NEMA 3R ENCLOSURE
2	1	STEEL PLATE 1/4" X 7 1/2" X 8" GALV
3	2	BOLT, 1/4"-20 X 1" LG HEX HEAD
4	2	NUT, 1/4"-20
5	2	LOCKWASHER 1/4"
6	1	UNION 3/4"
7	AR	CONDUIT, 3/4" RIGID STEEL GALV OR EMT (AS NOTED ON PLAN)

RECEPTACLE MOUNTED ON HANDRAIL (1) REF
 N. T. S.



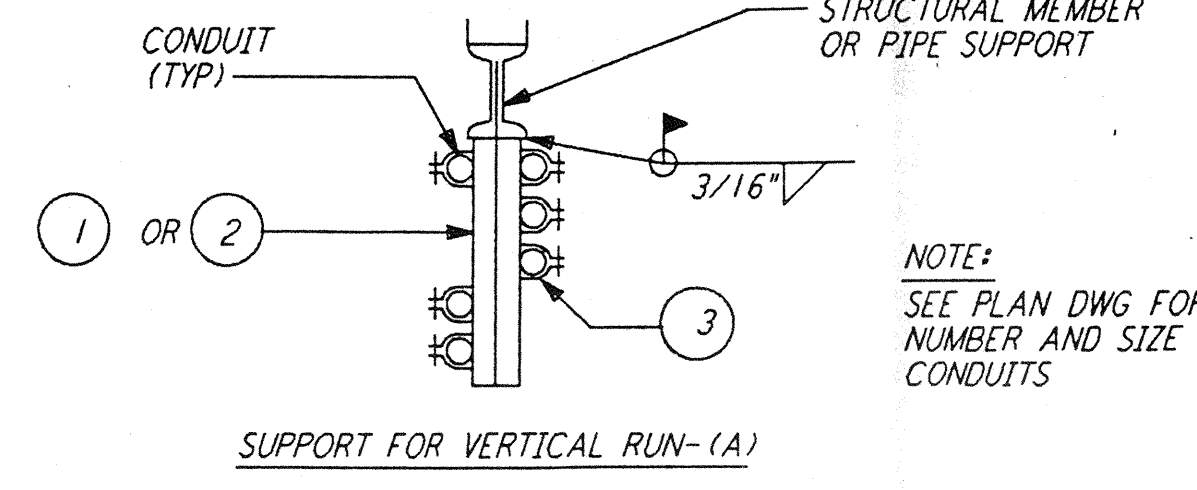
ITEM NO.	QTY	DESCRIPTION
1	1	CAMERA WITH ZOOM LENS
2	1	PAN/TILT MECHANISM
3	1	MOUNTING BRACKET
4	1	RECEIVER UNIT
5	2	CHANNEL, 3" x 1 1/2" (LENGTH AS REQUIRED)
6	1	CAMERA CABLE
7	1	PAN/TILT CABLE
8	2	ANGLE IRON, 1 1/2" x 1 1/2" (WELD TO CHANNEL)

CAMERA MOUNTING ALONGSIDE A WALL (2) REF
 N. T. S.



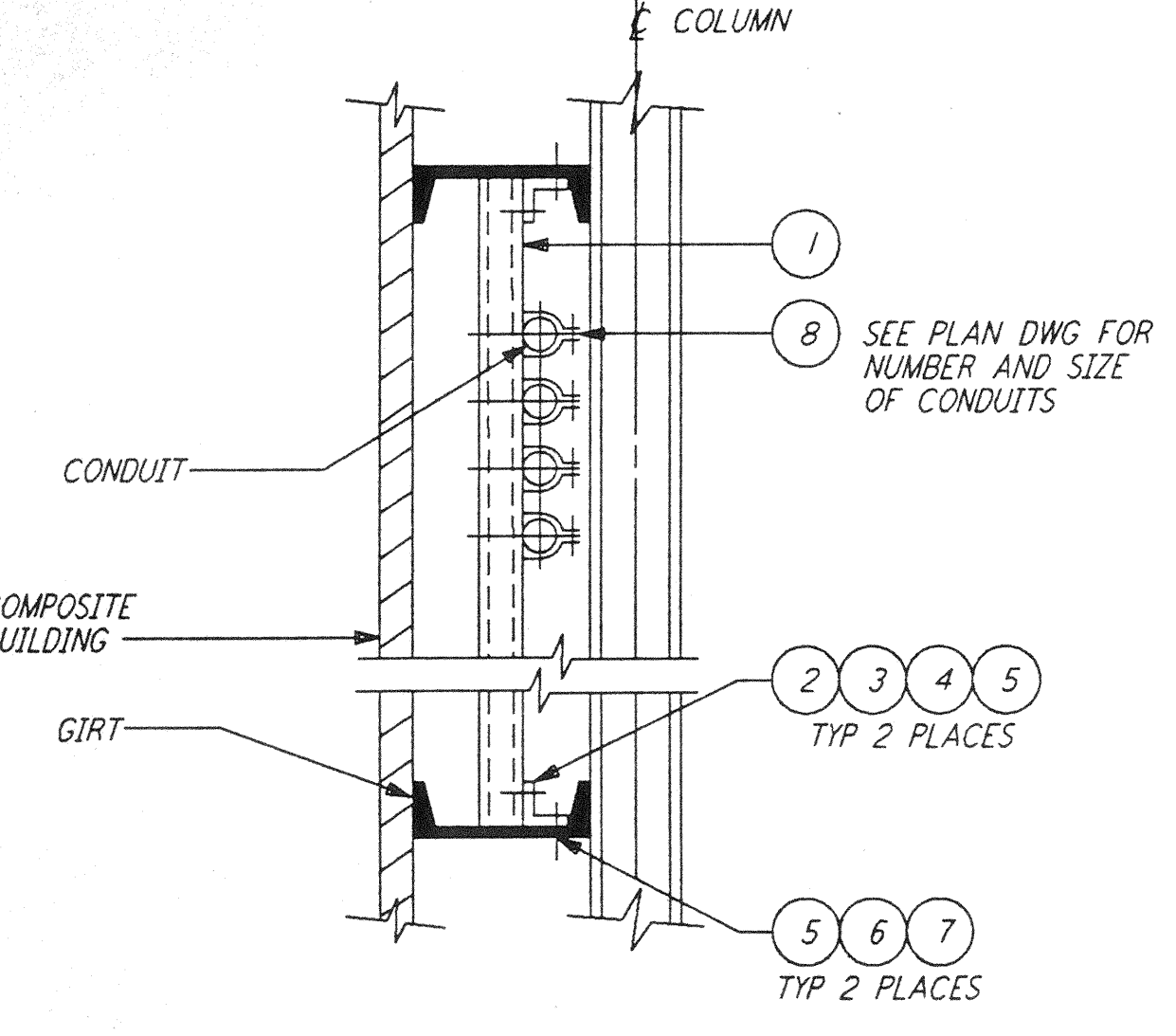
ITEM NO.	QTY	DESCRIPTION
1	1	CAMERA
2	1	PAN/TILT MECHANISM
3	1	PENDANT SUPPORT
4	1	RECEIVER UNIT (NOT SHOWN)
5	2	CHANNEL, 3" x 1 1/2"
6	1	CAMERA CABLE
7	1	PAN/TILT CABLE
8	1	PLATE, STEEL GALVANIZED, 5" x 5" x 1/2"
9	1	RECEIVER MOUNT CHANNEL 3" x 1 1/2" (NOT SHOWN)

CAMERA MOUNTING CEILING MOUNTED (3) REF
 N. T. S.



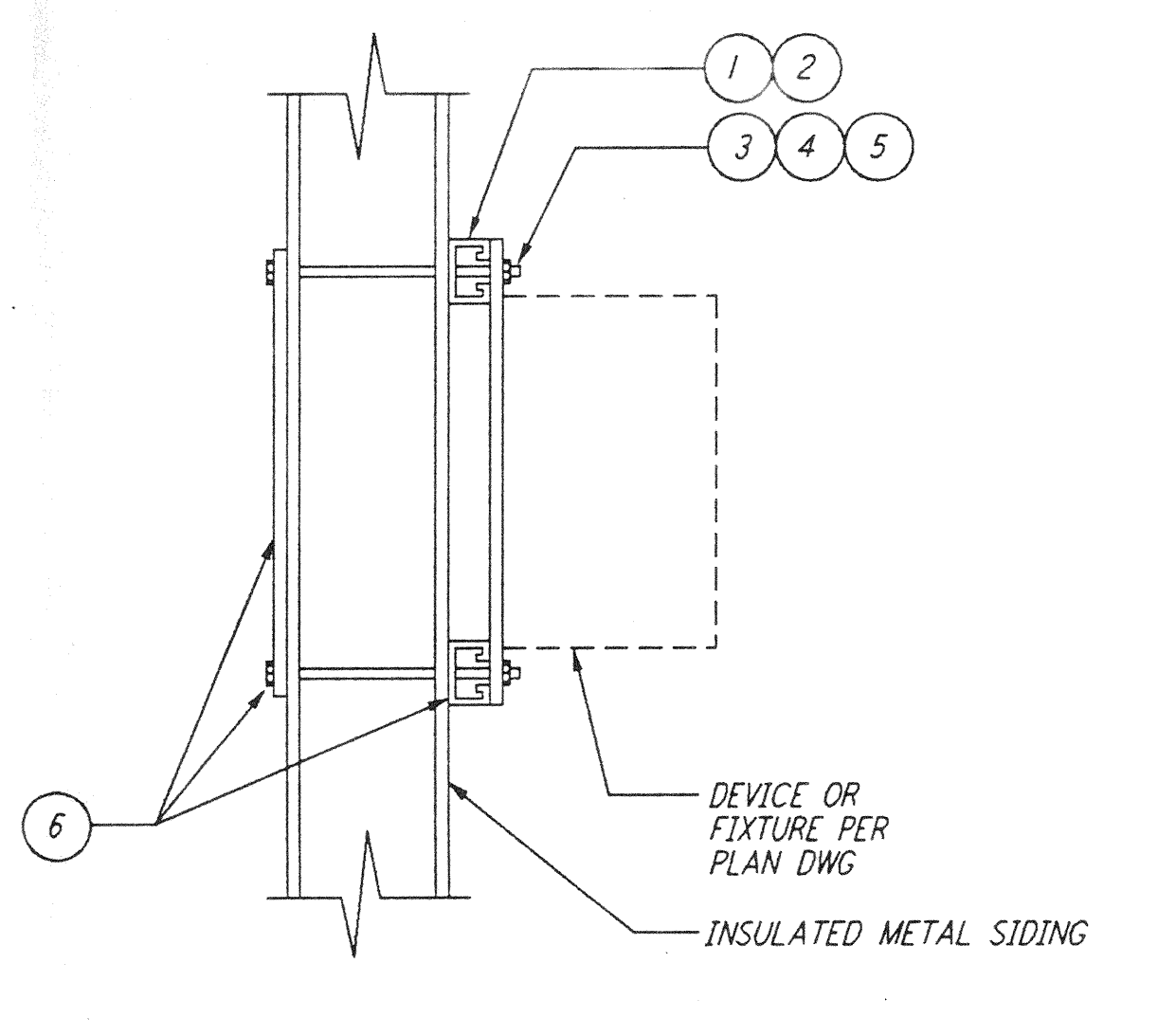
ITEM NO.	QTY	DESCRIPTION
1	AR	PREFORMED CHANNEL 12 GAUGE STEEL
2	AR	CHANNEL 12 GAUGE STEEL, BACK-TO-BACK
3	AR	CONDUIT CHANNEL CLAMP
4	2	BEAM CLAMP

CONDUIT SUPPORT ON STEEL MEMBERS (4) REF
 N. T. S.



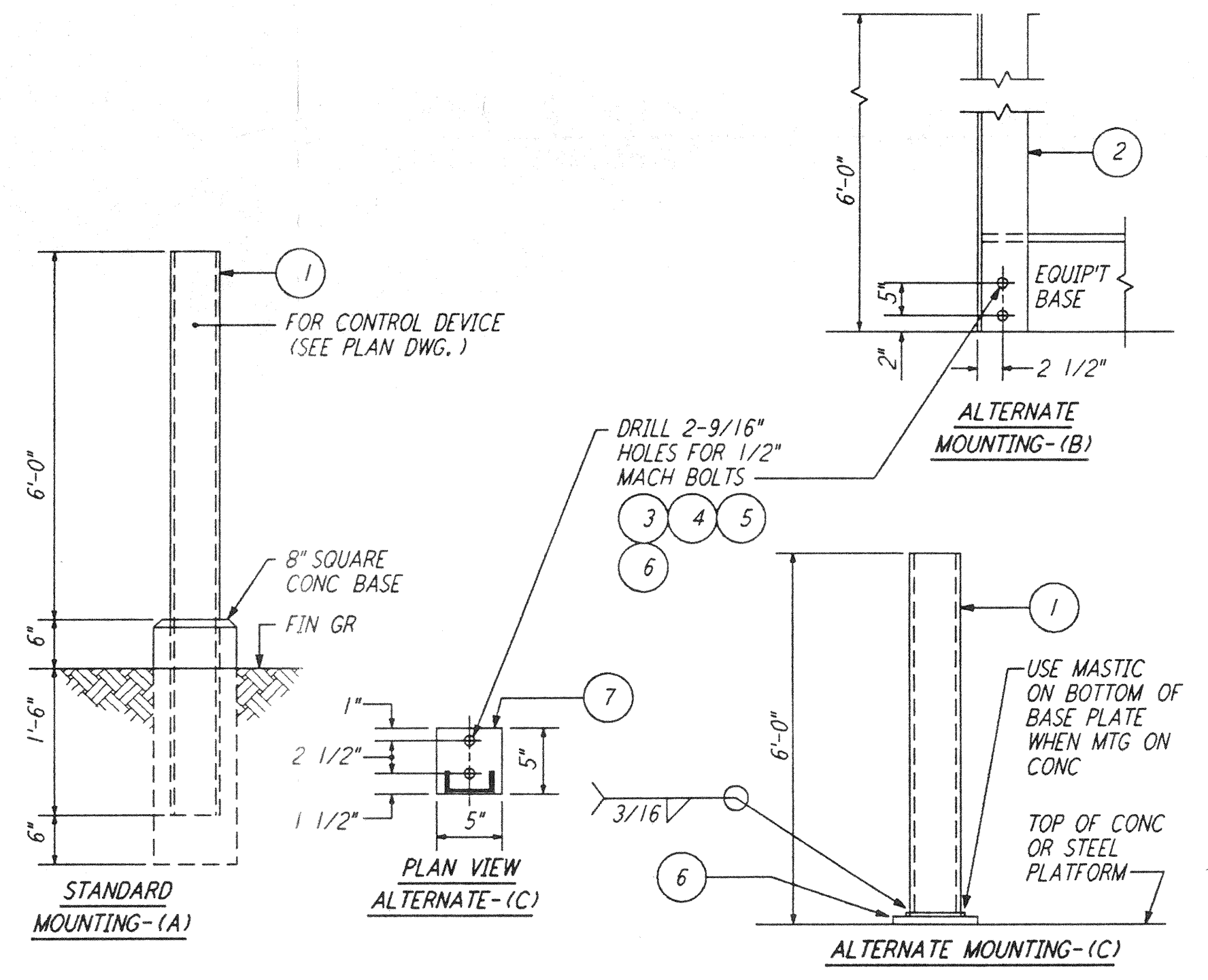
ITEM NO.	QTY	DESCRIPTION
1	AR	PREFORMED CHANNEL 12 GAUGE STEEL
2	2	ANGLE FITTING
3	4	SPRING NUT FOR CHANNEL
4	4	BOLT 3/8" - 16 x 1"
5	6	FLAT WASHER - 3/8"
6	2	BOLT 3/8" - 16 x 1 1/2"
7	2	NUT 3/8" - 16
8	AR	CONDUIT CHANNEL CLAMP

CONDUIT WALL SUPPORTED (EXTERIOR) (5) REF
 N. T. S.



ITEM NO.	QTY	DESCRIPTION
1	6"	CHANNEL, ELECTRO-GALV, 12GA, 1 3/8" X 1 3/8", UNISTRUT P1000 CUT TO SUIT
2	2	PLATE, STEEL, ASTM A36-9 1/2" X 9 1/4" X 1/4"
3	4	ROD, STEEL, THREADED, 3/8" X LENGTH AS REQUIRED
4	4	WASHER, STEEL, GALV, FLAT, 3/8"
5	4	NUT, STEEL, GALV, HEX, 3/8"
6	1	SEALANT, ADHESIVE, ALL WEATHER, GE#RTV-13

METAL SIDING MOUNTING PLATE FOR ELECTRICAL DEVICES (6) REF
 N. T. S.

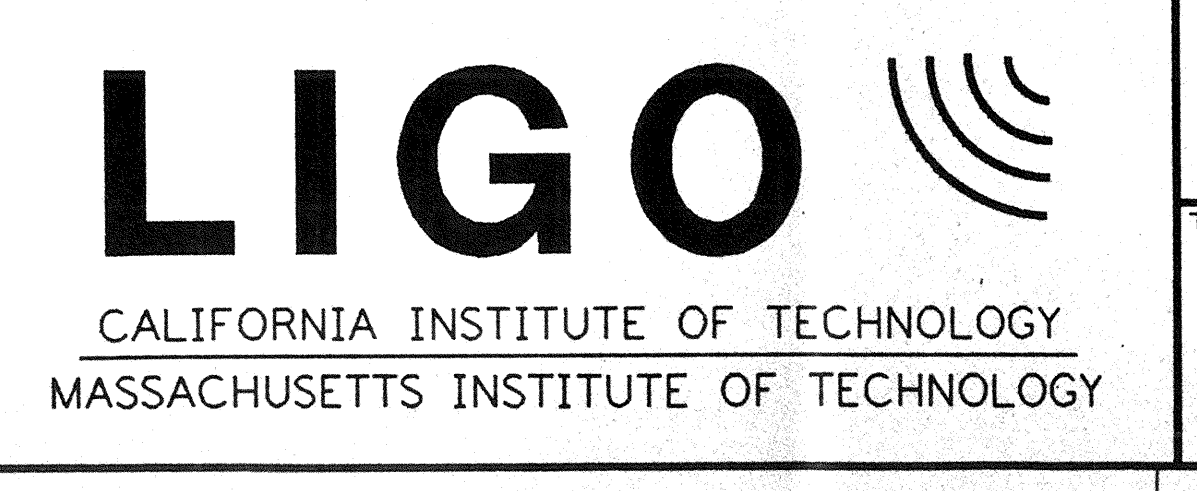
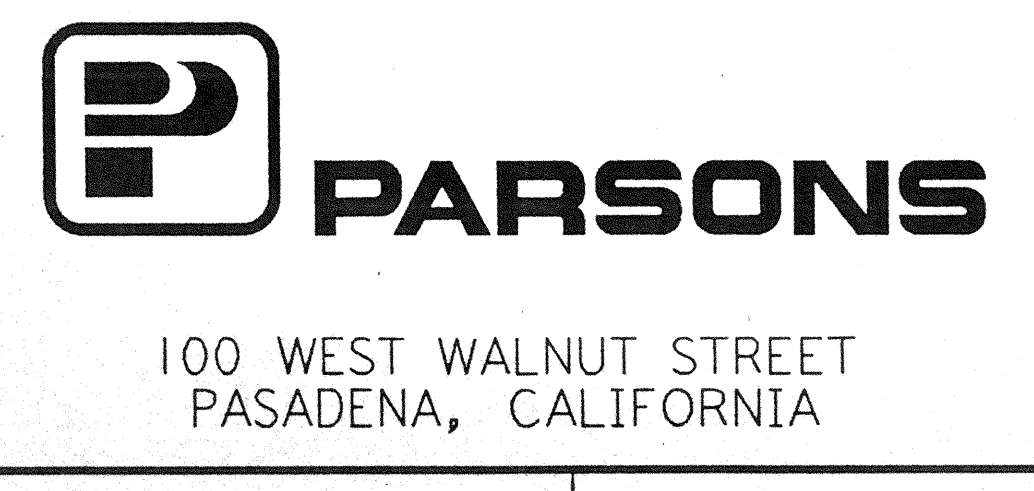
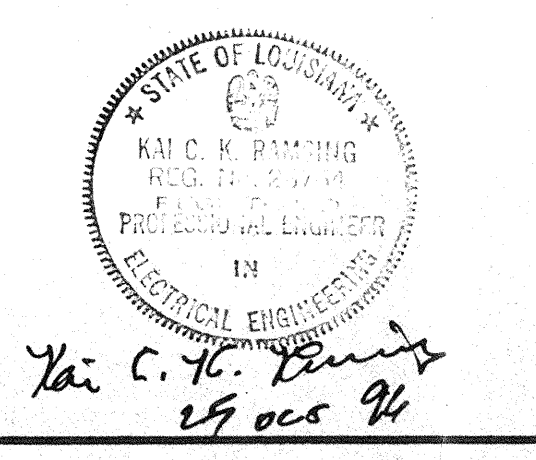


ITEM NO.	QTY	DESCRIPTION
1	AR	CHANNEL, 4" X 5.4 LBS HOT DIPPED GALV
2	AR	ANGLE BAR, 4" X 4" 1/4" HOT DIPPED GALV
3	2	CONCRETE ANCHOR, 1/2"-13 X 1 1/2" LG GALV
4	2	BOLT, 1/2"-13 X 1 1/2" LG HEX HD GALV
5	2	LOCKWASHER, 1/2" SPRING SST
6	1	COLD GALV., TUBE #2RC
7	1	PLATE, STEEL 1/2" X 5" X 5" GALV (WELD TO CHANNEL)

DEVICE MOUNTING STANCHION (7) REF
 N. T. S.

DRAWING NO.	DESCRIPTION	NO.	DATE	BY	CHKD	ENGR	PROJ	DESCRIPTION

ISSUED FOR CONSTRUCTION
 DRAWN M. M. 11-15-96
 CHECKED JCL 7-24-96
 ENGINEER JCL 10-15-96
 PROJ SBA 11/15/96



LASER INTERFEROMETER GRAVITATIONAL-WAVE OBSERVATORY SITE NO. 2 - LIVINGSTON, LOUISIANA		
TITLE	SCALE	CONTRACT NUMBER
ELECTRICAL DETAILS	NONE	PP150969
SHEET NUMBER	PROJECT NUMBER	8094
LA-E-404	REVISIONS	