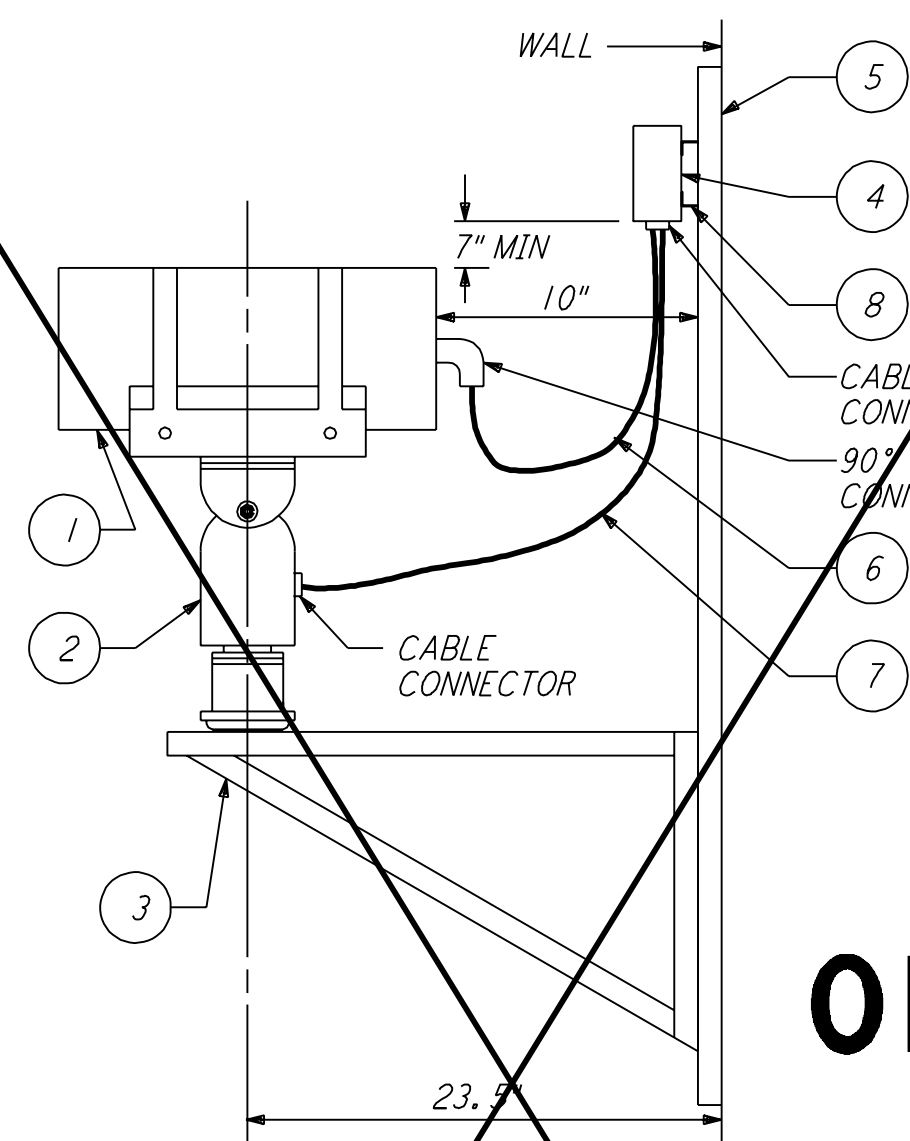


LIST OF MATERIAL

ITEM NO.	QTY	DESCRIPTION
1	1	RCPT 115V, 20A, 2W-3P, MOUNTED IN A NEMA 3R ENCLOSURE
2	1	STEEL PLATE 1/4" X 7 1/2" X 8" GALV
3	2	BOLT, 1/4"-20 X 1" LG HEX HEAD
4	2	NUT, 1/4"-20
5	2	LOCKWASHER 1/4"
6	1	UNION 3/4"
7	AR	CONDUIT, 3/4" RIGID STEEL GALV OR EMT (AS NOTED ON PLAN)

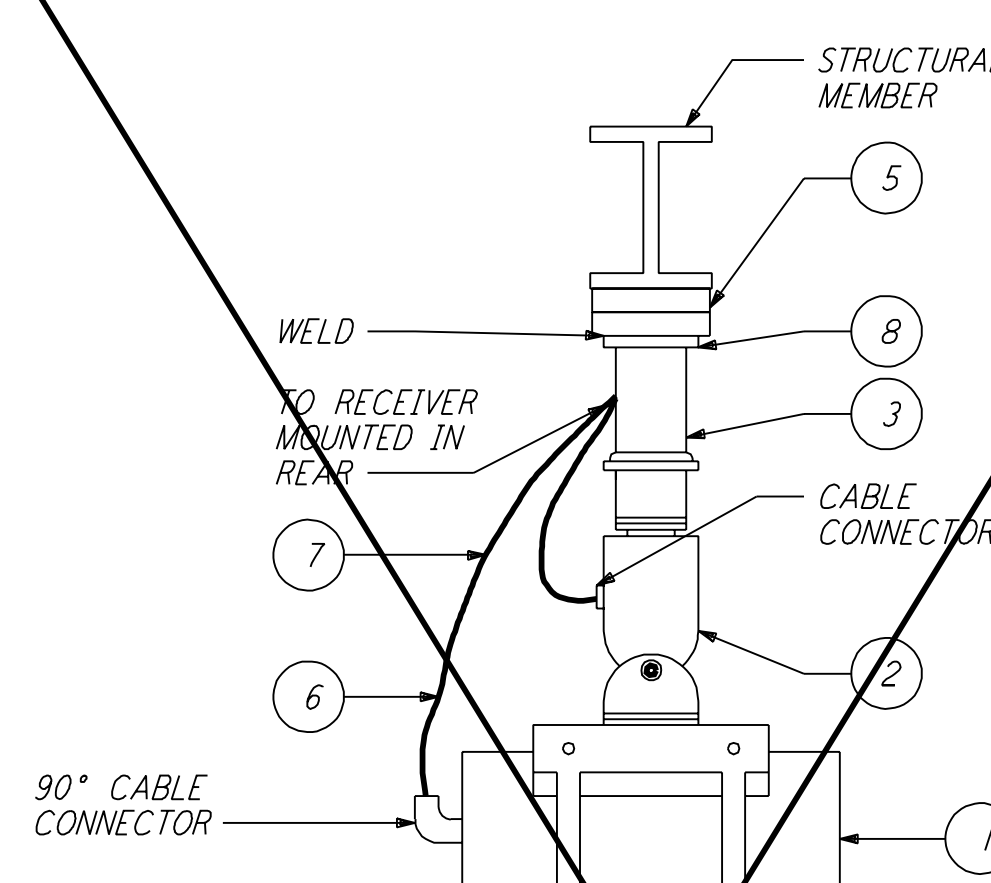
RECEPTACLE MOUNTED ON HANDRAIL 1 REF
 N. T. S.



LIST OF MATERIAL

ITEM NO.	QTY	DESCRIPTION
1	1	CAMERA WITH ZOOM LENS
2	1	PAN/TILT MECHANISM
3	1	MOUNTING BRACKET
4	1	RECEIVER UNIT
5	2	CHANNEL, 3" x 1 1/2" (LENGTH AS REQUIRED)
6	1	CAMERA CABLE
7	1	PAN/TILT CABLE
8	2	ANGLE IRON, 1 1/2" x 1 1/2" (WELD TO CHANNEL)

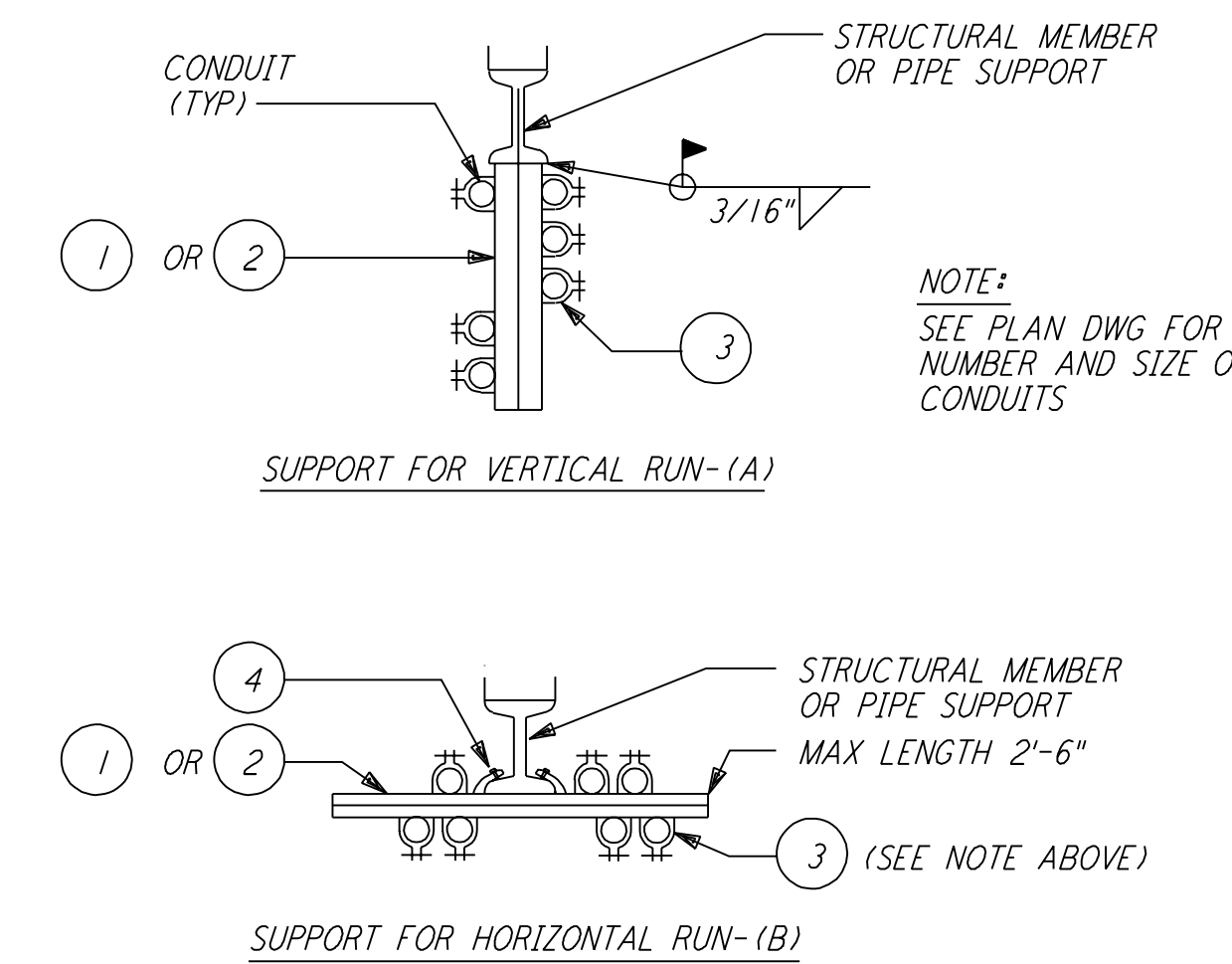
CAMERA MOUNTING ALONGSIDE A WALL 2 REF
 N. T. S.



LIST OF MATERIAL

ITEM NO.	QTY	DESCRIPTION
1		CAMERA
2		PAN/TILT MECHANISM
3		PENDANT SUPPORT
4		RECEIVER UNIT (NOT SHOWN)
5		CHANNEL, 3" x 1 1/2"
6		CAMERA CABLE
7		PAN/TILT CABLE
8		PLATE, STEEL GALVANIZED, 5" x 5" x 1/2"
9		RECEIVER MOUNT CHANNEL 3" x 1 1/2" (NOT SHOWN)

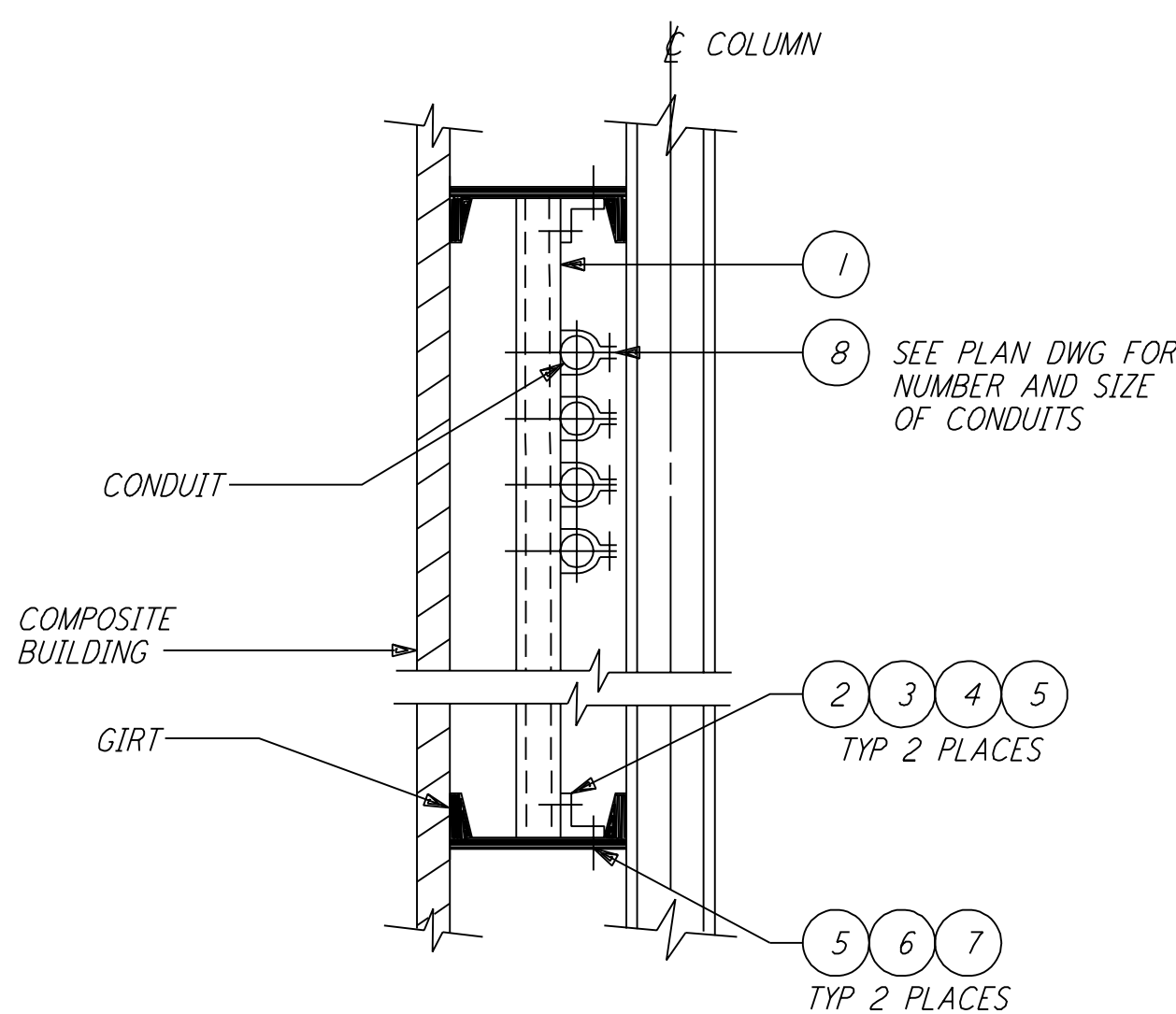
CAMERA MOUNTING CEILING MOUNTED 3 REF
 N. T. S.



LIST OF MATERIAL

ITEM NO.	QTY	DESCRIPTION
1	AR	PREFORMED CHANNEL 12 GAUGE STEEL
2	AR	CHANNEL 12 GAUGE STEEL, BACK-TO-BACK
3	AR	CONDUIT CHANNEL CLAMP
4	2	BEAM CLAMP

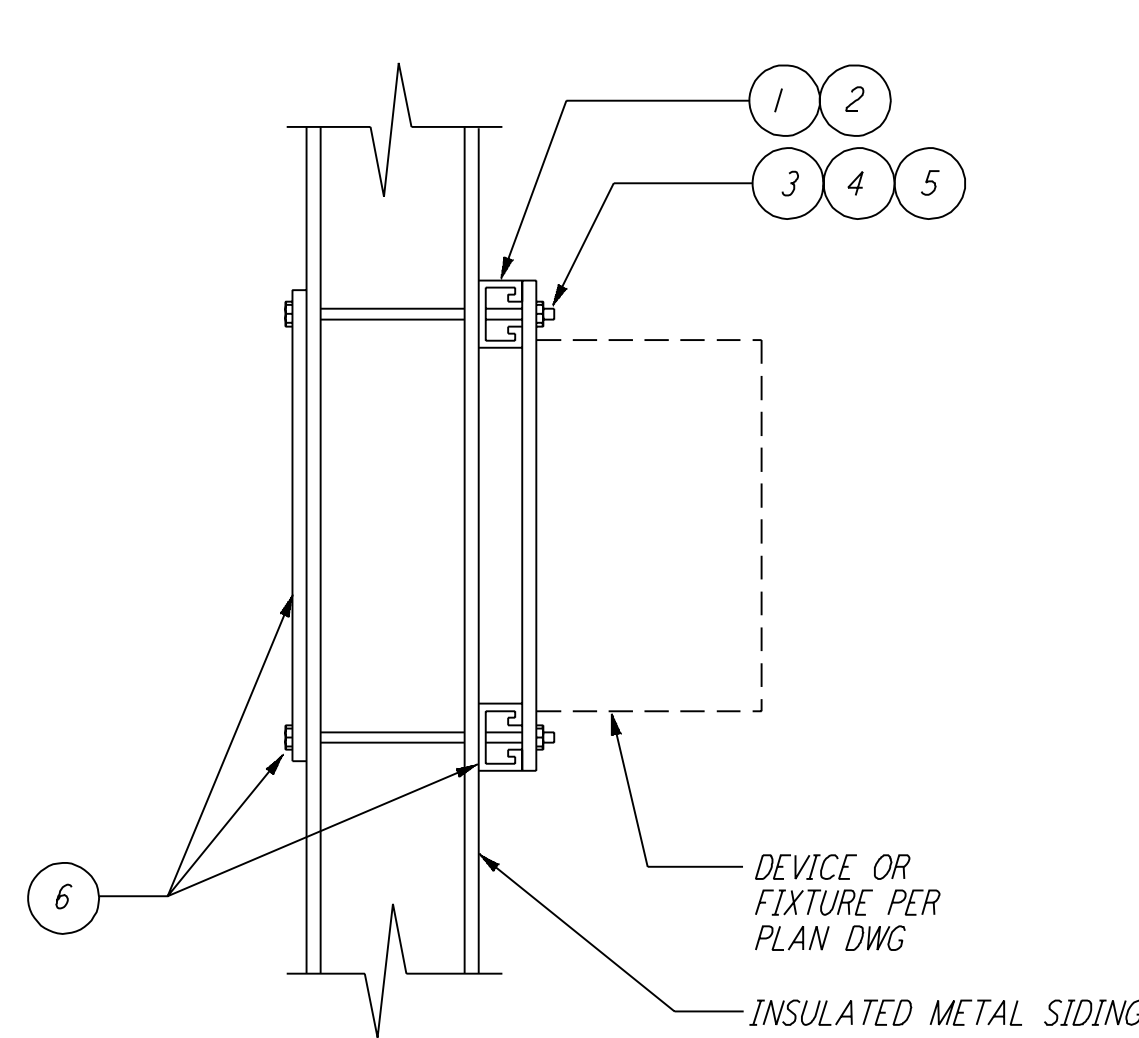
CONDUIT SUPPORT ON STEEL MEMBERS 4 REF
 N. T. S.



LIST OF MATERIAL

ITEM NO.	QTY	DESCRIPTION
1	AR	PREFORMED CHANNEL 12 GAUGE STEEL
2	2	ANGLE FITTING
3	4	SPRING NUT FOR CHANNEL
4	4	BOLT 3/8" - 16 x 1"
5	6	FLAT WASHER - 3/8"
6	2	BOLT 3/8" - 16 x 1 1/2"
7	2	NUT 3/8" - 16
8	AR	CONDUIT CHANNEL CLAMP

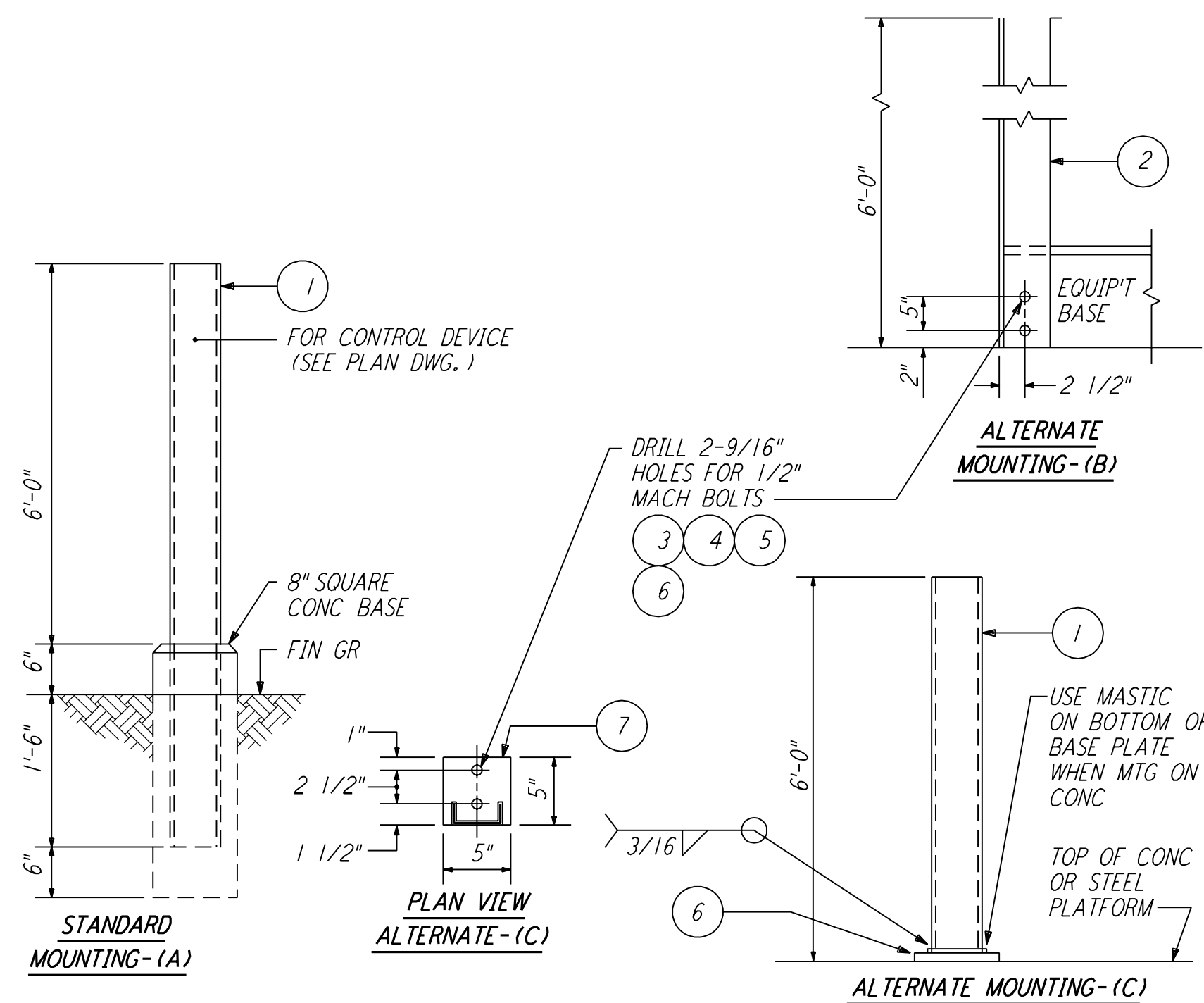
CONDUIT WALL SUPPORTED (EXTERIOR) 5 REF
 N. T. S.



LIST OF MATERIAL

ITEM NO.	QTY	DESCRIPTION
1	6'	CHANNEL, ELECTRO-GALV. 12GA. 1 3/8" X 1 3/8"
2	2	UNISTRUT P1000 CUT TO SUIT
3	4	PLATE, STEEL, ASTM A36-9 1/2" X 9 1/4" X 1/4"
4	4	ROD, STEEL, THREADED, 3/8" X LENGTH AS REQUIRED
5	4	WASHER, STEEL, GALV, FLAT, 3/8"
6	4	NUT, STEEL, GALV, HEX, 3/8"
6	1	SEALANT, ADHESIVE, ALL WEATHER, GE*RTV-13

METAL SIDING MOUNTING PLATE FOR ELECTRICAL DEVICES 6 REF
 N. T. S.



LIST OF MATERIAL

ITEM NO.	QTY	DESCRIPTION
1	AR	CHANNEL, 4" X 5.4 LBS HOT DIPPED GALV
2	AR	ANGLE BAR, 4" X 4" 1/4" HOT DIPPED GALV
3	2	CONCRETE ANCHOR, 1/2"-13 X 1 1/2" LG GALV
4	2	BOLT, 1/2"-13 X 1 1/2" LG HEX HD GALV
5	2	LOCKWASHER, 1/2" SPRING SST
6	1	COLD GALV., TUBE #2RC
7	1	PLATE, STEEL 1/2" X 5" X 5" GALV (WELD TO CHANNEL)

DEVICE MOUNTING STANCHION 7 REF
 N. T. S.

REFERENCES	REVISIONS	ISSUED FOR CONSTRUCTION
DRAWING NO.	NO.	DRAWN M. M. 11-15-96
DESCRIPTION	DATE	CHECKED JCL 7-24-96
	BY	ENGINEER KCR 10-25-96
	ENGR	PROJ T. D. M. 11-15-96
	PROJ	
		AS-BUILT DRAWINGS
		ISSUED FOR AS-BUILT

ISSUED FOR CONSTRUCTION
 DRAWN M. M. 11-15-96
 CHECKED JCL 7-24-96
 ENGINEER KCR 10-25-96
 PROJ T. D. M. 11-15-96

AS-BUILT DRAWINGS
 ISSUED FOR AS-BUILT

PARSONS
 100 WEST WALNUT STREET
 PASADENA, CALIFORNIA

LIGO
 CALIFORNIA INSTITUTE OF TECHNOLOGY
 MASSACHUSETTS INSTITUTE OF TECHNOLOGY

LASER INTERFEROMETER
 GRAVITATIONAL-WAVE OBSERVATORY
 SITE NO. 2 - LIVINGSTON, LOUISIANA

TITLE	SCALE	CONTRACT NUMBER	PROJECT NUMBER
ELECTRICAL DETAILS	NONE	PP150969	8094
	SHEET NUMBER	REVISIONS	
	LA-E-404		

not be reproduced, copied, loaned, exhibited, or used in any other way, except by written consent from PARSONS to the borrower.

This document and the design it covers are the property of PARSONS. They are loaned only with the borrower's expressed written agreement that they will

Wed Oct 7 09:45:33 1998 c:\p1\site\ref\35730.dwg N:\D01\BUES\C2002\EE\04.dwg