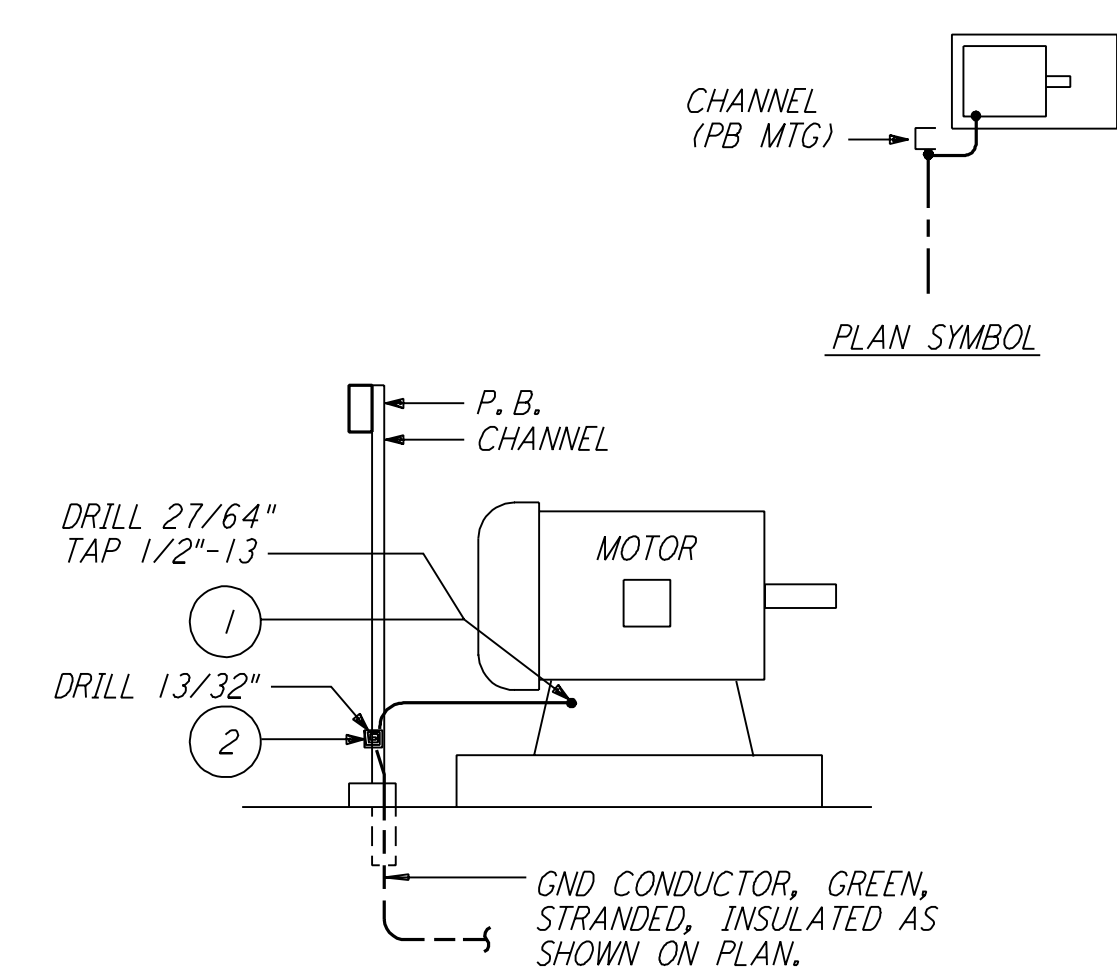


This document and the design it covers are the property of PARSONS. They are loaned only with the borrower's expressed written agreement that they will not be reproduced, copied, loaned, exhibited, or used in any other way, except by written consent from PARSONS to the borrower.

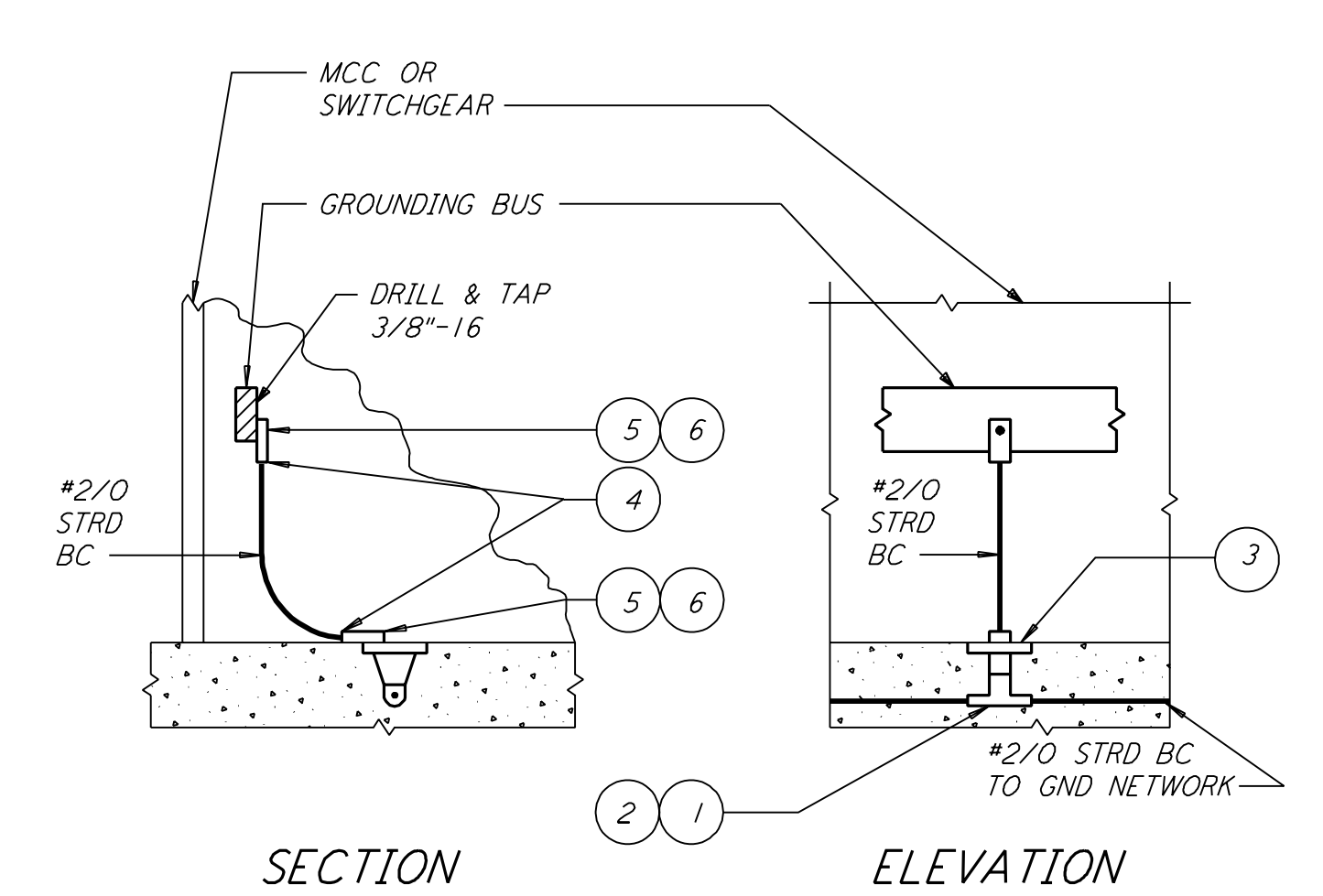
This document and the design it covers are the property of PARSONS. They are loaned only with the borrower's expressed written agreement that they will not be reproduced, copied, loaned, exhibited, or used in any other way, except by written consent from PARSONS to the borrower.



LIST OF MATERIAL

ITEM NO.	QTY	DESCRIPTION
1	1	SERVIT POST, #2-#2/0 WIRES, BURNDY K2C26
2	1	CONNECTOR, TWO #4-#2/0 WIRE FLAT BAR, BURNDY TYPE GCM26 (LONGER BOLT AS REQ'D)

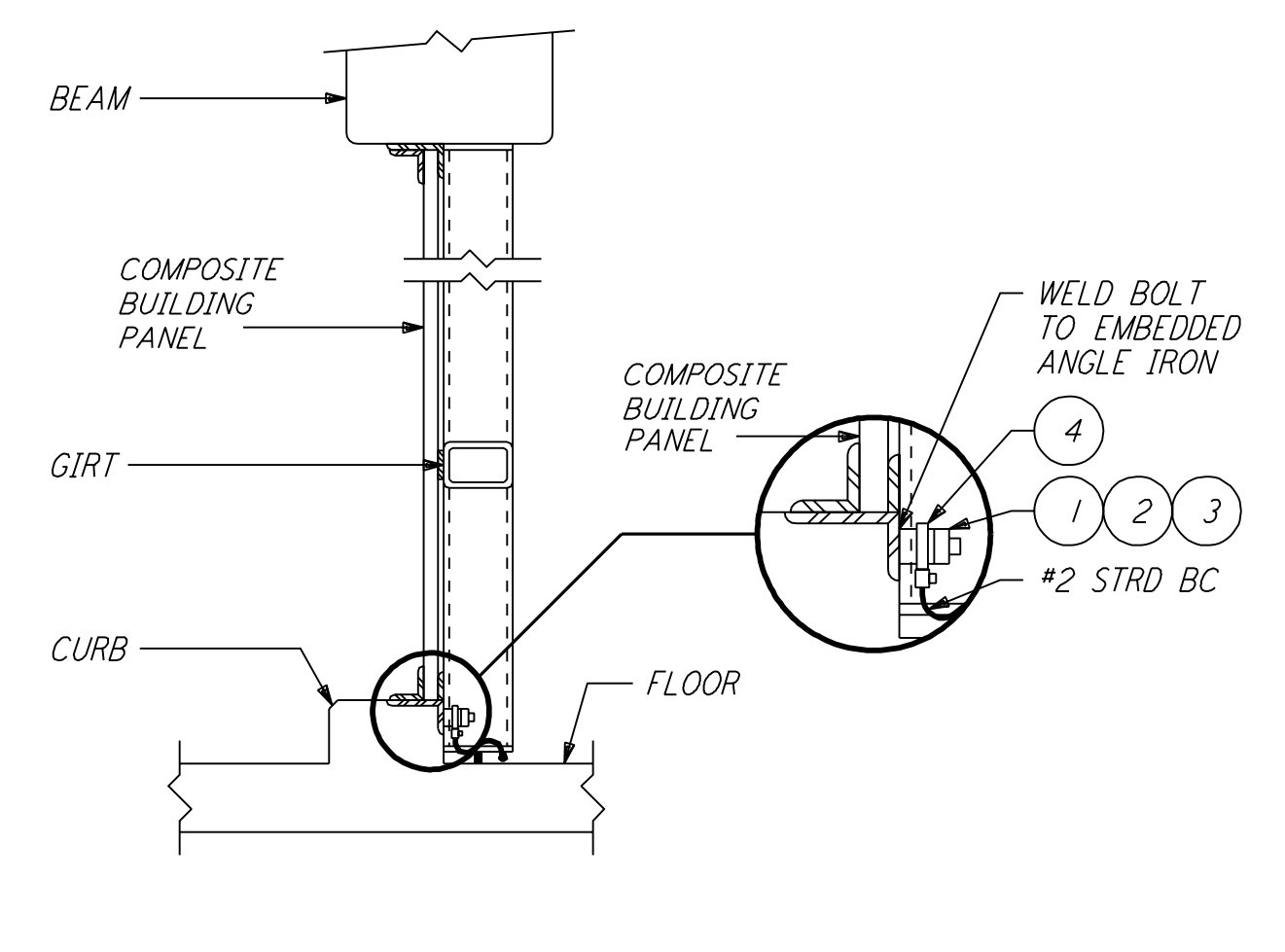
MOTOR GROUNDING (1) REF
 N. T. S.



LIST OF MATERIAL

ITEM NO.	QTY	DESCRIPTION
1	AR	MOLD HORIZONTAL TEE, #4/0-#4/0 WIRE
2	1	CARTRIDGE, STANDARD POWDER 150 GRAMS
3	1	FLUSH PLATE, #4/0 WIRE SIZE, 3/8\"/>

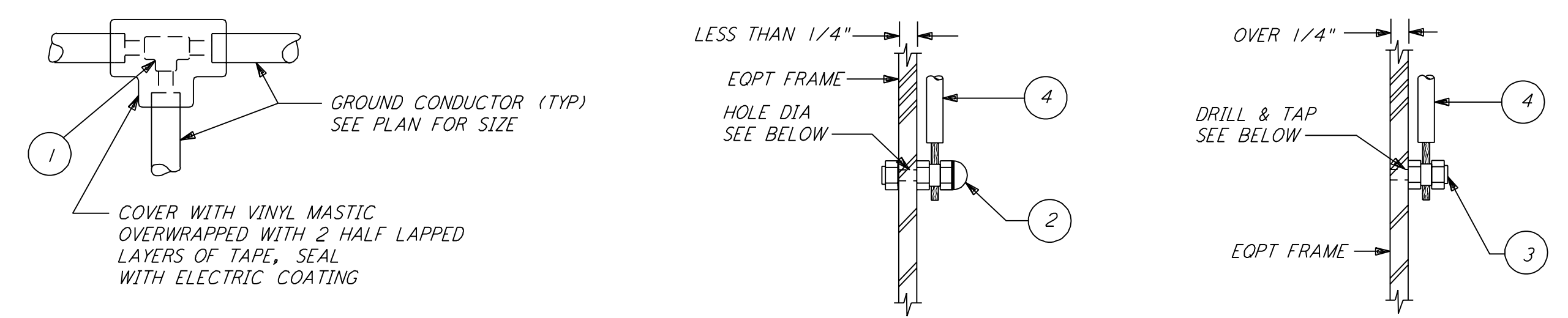
SWITCHGEAR OR MCC GROUNDING (2) REF
 N. T. S.



LIST OF MATERIAL

ITEM NO.	QTY	DESCRIPTION
1	1	BOLT, 3/8-16 x 1", HEX HEAD STAINLESS STEEL
2	1	LOCKWASHER, 3/8", STAINLESS STEEL
3	1	NUT, 3/8-16, STAINLESS STEEL
4	1	LUG, BOLTED CLAMP TYPE, BRONZE

COMPOSITE BUILDING PANEL GROUNDING (3) REF
 N. T. S.



WIRE TO WIRE THERMAL CONNECTION

TYPE	WIRE SIZE	RUN	TAP
A	#4/0	#4/0	#4/0
B	#4/0	#2/0	#2
C	#4/0	#2	#2
D	#2	#2	#2
E	#2	#4	#4
F	#2/0	#2/0	#2/0
G	#2/0	#2	#2
H	#1/0	#1/0	#1/0

BOLTED CONNECTION

TYPE	WIRE SIZE	HOLE DIA.
A	#B-#2/0	7/16"

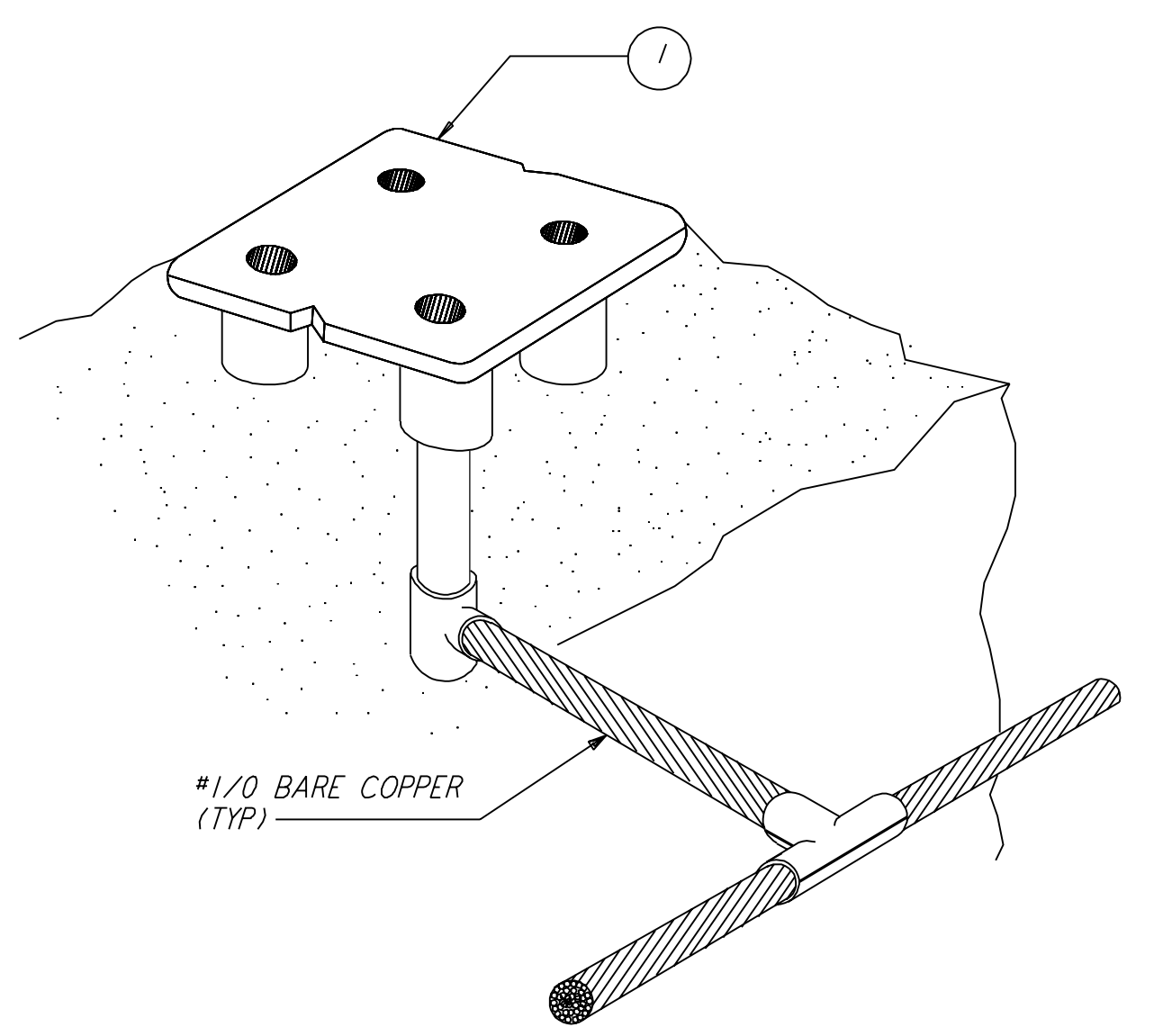
TAPPED CONNECTION

TYPE	WIRE SIZE	TAPPED HOLE
A	#B-#2	3/8-16
B	#2-#2/0	1/2-13

LIST OF MATERIAL

ITEM NO.	QTY	DESCRIPTION
1	1	THERMAL WELD, GROUND, SIZE AS REQUIRED
2	1	GROUND CONNECTOR, CABLE TO BAR, SIZE AS REQUIRED
3	1	GROUND POST, SIZE AS REQUIRED
4	AR	TYPE "TW" INSULATED GREEN GROUND WIRE (UNLESS OTHERWISE NOTED)

GROUNDING CONNECTIONS (4) REF
 N. T. S.



LIST OF MATERIAL

ITEM NO.	QTY	DESCRIPTION
1	1	GROUND PLATE, FLUSH, CADWELD #B16420

FLUSH FLOOR GROUND PLATE (5) REF
 N. T. S.

REFERENCES	NO.	DATE	BY	CHKD	ENGR	PROJ	DESCRIPTION

AS-BUILT DRAWINGS

ISSUED FOR CONSTRUCTION	DATE	BY
DRAWN	M. M.	11-15-96
CHECKED	JCL	7-24-96
ENGINEER	KCR	10-25-96
PROJ	T. D. M.	11-15-96

PARSONS
 100 WEST WALNUT STREET
 PASADENA, CALIFORNIA

LIGO
 CALIFORNIA INSTITUTE OF TECHNOLOGY
 MASSACHUSETTS INSTITUTE OF TECHNOLOGY

LIGO-D961041-01-O
 LASER INTERFEROMETER
 GRAVITATIONAL-WAVE OBSERVATORY
 SITE NO. 2 - LIVINGSTON, LOUISIANA

TITLE	SCALE	CONTRACT NUMBER	PROJECT NUMBER
ELECTRICAL GROUNDING DETAILS SHEET 1	NONE	PP150969	8094
SHEET NUMBER	LA-E-405		