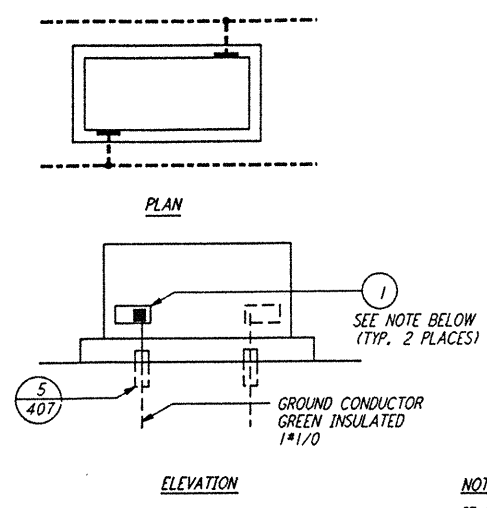


5

4

3

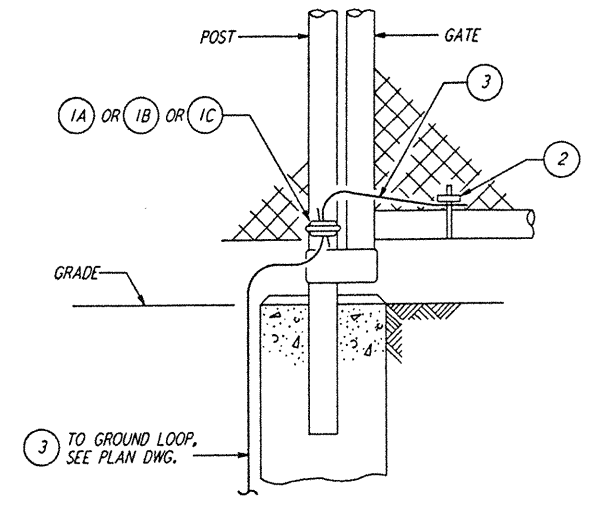
2



NOTE:  
 IF GROUNDING PAD IS NOT PROVIDED, INSTALL SERVIT POST IN XFRM/EQUIPMENT BASE

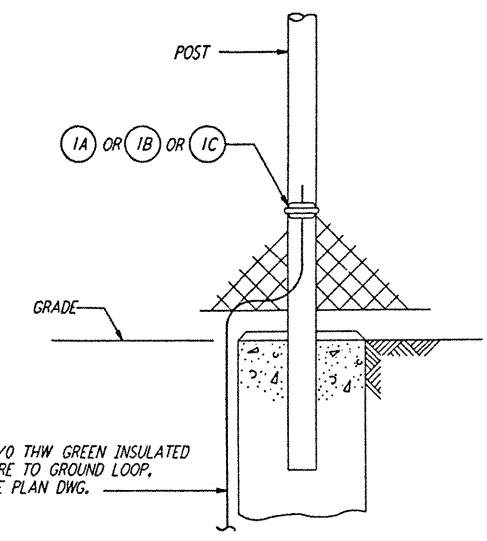
LIST OF MATERIAL		
ITEM NO.	QTY	DESCRIPTION
1	2	SERVIT POST TWO #2-#2/0 WIRES SHORT STUD BURNIDY TYPE K2C-26

TRANSFORMER/EQUIPMENT GROUNDING (1) REF N.T.S. E-112 E-202



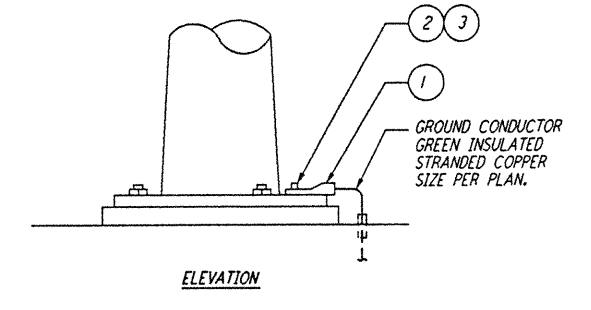
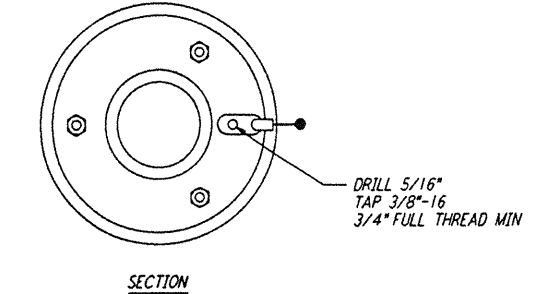
LIST OF MATERIAL		
ITEM NO.	QTY	DESCRIPTION
1A	1	GROUND CONNECTOR - 2" DIA POST, BURNDY TYPE G01826
1B	1	GROUND CONNECTOR - 2 1/2" DIA POST, BURNDY TYPE G01826
1C	1	GROUND CONNECTOR - 3" DIA POST, BURNDY TYPE G02026
2	1	GROUND CONNECTOR - 1 1/2" DIA TUBE, BURNDY TYPE G41726
3	AR	FLEXIBLE COPPER GROUND BRAID 100A RATING, BURNDY MFCR.

FENCE GATE GROUNDING (2) REF N.T.S. E-112 E-202



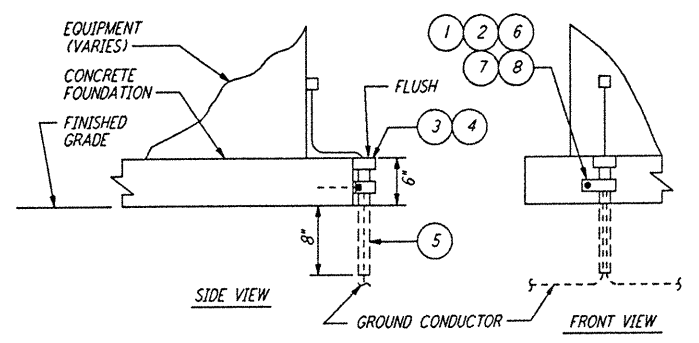
LIST OF MATERIAL		
ITEM NO.	QTY	DESCRIPTION
1A	1	GROUND CONNECTOR - 2" DIA POST, BURNDY #G41826
1B	1	GROUND CONNECTOR - 2 1/2" DIA POST, BURNDY #G41926
1C	1	GROUND CONNECTOR - 3" DIA POST, BURNDY #G42026

FENCE POST GROUNDING (3) REF N.T.S. E-202



LIST OF MATERIAL		
ITEM NO.	QTY	DESCRIPTION
1	1	LUG, #1/0-2/0 WIRE, BURNDY TYPE G426-B (USE BURNDY #02426-2N WHEN USING 2 CABLES)
2	1	BOLT, 3/8"-16 X 3/4" LG. HEX HD DURILUM
3	1	LOCKWASHER, 3/8" SPRING DURILUM

LIGHTING POLE/BOLLARD GROUNDING (4) REF N.T.S.



LIST OF MATERIAL		
ITEM NO.	QTY	DESCRIPTION
1	1	CLAMP, GALV STEEL 1 1/4" DIA CONDUIT
2	1	BOLT, 1/4"-20 X 1" LG. HEX HD SST
3	1	END BELL, FOR 1 1/4" DIA PVC CONDUIT
4	AR	CEMENT FOR PVC CONDUIT AND FITTINGS
5	1FT	CONDUIT, PVC 1 1/4" DIA SCH 40
6	1	ANCHOR, MASONRY 1/4"-20
7	1	CLAMP BACK, 1 1/4, GALV STEEL
8	1	WASHER, 1/4" FLAT SST

GROUNDING CABLE PROTECTIVE SLEEVE (5) REF N.T.S. E-112 E-202 E-208

ISSUED FOR CONSTRUCTION	
DRAWN	M. M. 11-15-98
CHECKED	JCL 7-24-98
ENGINEER	KCL 10-25-98
PROJ	8222 11/15/98



**PARSONS**  
 100 WEST WALNUT STREET  
 PASADENA, CALIFORNIA

**LIGO**  
 CALIFORNIA INSTITUTE OF TECHNOLOGY  
 MASSACHUSETTS INSTITUTE OF TECHNOLOGY

LASER INTERFEROMETER  
 GRAVITATIONAL-WAVE OBSERVATORY  
 SITE NO. 2 - LIVINGSTON, LOUISIANA

TITLE	SHEET NUMBER	CONTRACT NUMBER	PROJECT NUMBER
ELECTRICAL GROUNDING DETAILS SHEET 3	NONE	PP150969	8094
LA-E-407			

REFERENCES	REVISIONS	DRAWING NO.	DESCRIPTION	NO.	DATE	BY	CHKD	ENGR	PROJ	DESCRIPTION

This document and the design it covers are the property of PARSONS. They are loaned only with the borrower's expressed written agreement that they will not be reproduced, copied, loaned, exhibited, or used in any other way, except by written consent from PARSONS to the borrower.

This document and the design it covers are the property of PARSONS. They are loaned only with the borrower's expressed written agreement that they will not be reproduced, copied, loaned, exhibited, or used in any other way, except by written consent from PARSONS to the borrower.

I:\11g043-2\11g043-2.dwg 11/15/98 11:51 AM

A B C D E