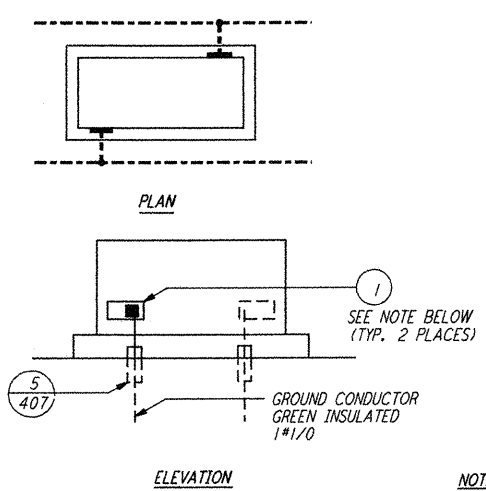


5

4

3

2

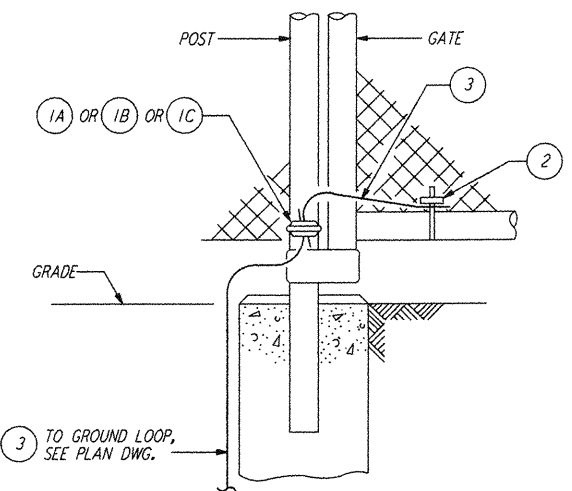


**NOTE:**  
 IF GROUNDING PAD IS NOT PROVIDED, INSTALL SERVICE POST IN XFMR/EQUIPMENT BASE

LIST OF MATERIAL

ITEM NO.	QTY	DESCRIPTION
1	2	SERVIT POST TWO #2-#2/0 WIRES SHORT STUD BURNIDY TYPE K2C-26

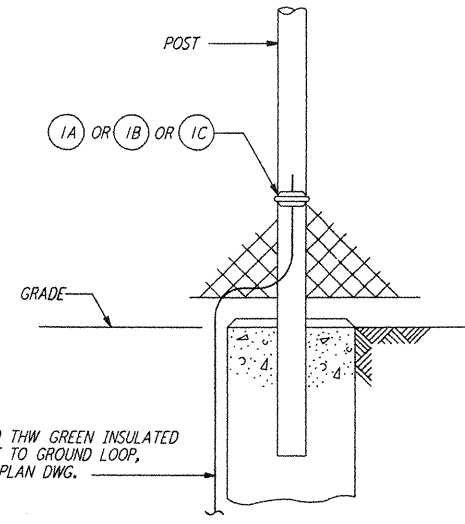
TRANSFORMER/EQUIPMENT GROUNDING (1) REF N.T.S. E-112 E-202



LIST OF MATERIAL

ITEM NO.	QTY	DESCRIPTION
1A	1	GROUND CONNECTOR - 2" DIA POST, BURNIDY TYPE GD1826
1B	1	GROUND CONNECTOR - 2 1/2" DIA POST, BURNIDY TYPE GD1926
1C	1	GROUND CONNECTOR - 3" DIA POST, BURNIDY TYPE GD2026
2	1	GROUND CONNECTOR - 1 1/2" DIA TUBE, BURNIDY TYPE GAR1726
3	AR	FLEXIBLE COPPER GROUND BRAID 100A RATING, BURNIDY MFG.

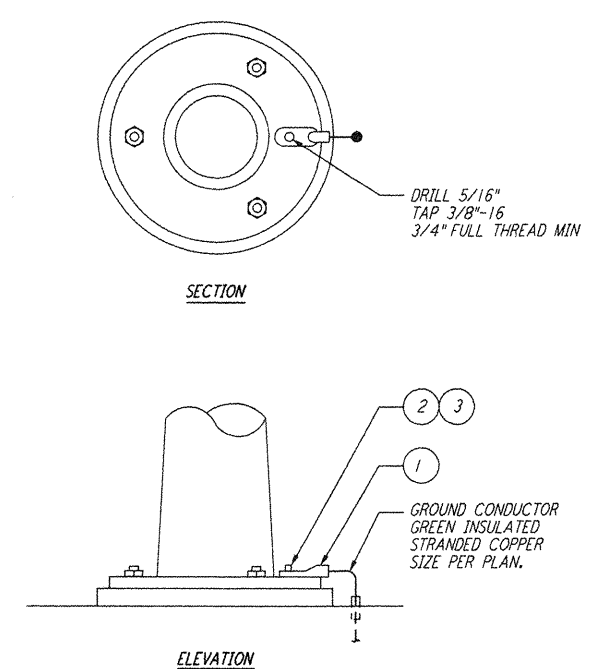
FENCE GATE GROUNDING (2) REF N.T.S. E-112 E-202



LIST OF MATERIAL

ITEM NO.	QTY	DESCRIPTION
1A	1	GROUND CONNECTOR - 2" DIA POST, BURNIDY #GAR1826
1B	1	GROUND CONNECTOR - 2 1/2" DIA POST, BURNIDY #GAR1926
1C	1	GROUND CONNECTOR - 3" DIA POST, BURNIDY #GAR2026

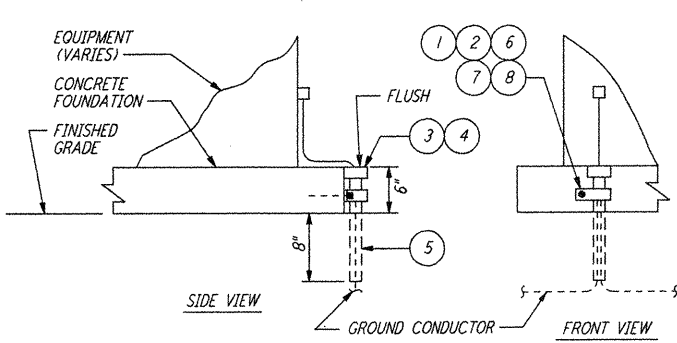
FENCE POST GROUNDING (3) REF N.T.S. E-202



LIST OF MATERIAL

ITEM NO.	QTY	DESCRIPTION
1	1	LUG, #1/0-2/0 WIRE, BURNIDY TYPE OA26-B (USE BURNIDY #02A26-2N WHEN USING 2 CABLES)
2	1	BOLT, 3/8"-16 X 3/4" LG HEX HD DURILUM
3	1	LOCKWASHER, 3/8" SPRING DURILUM

LIGHTING POLE/BOLLARD GROUNDING (4) REF N.T.S.



LIST OF MATERIAL

ITEM NO.	QTY	DESCRIPTION
1	1	CLAMP, GALV STEEL 1/4" DIA CONDUIT
2	1	BOLT, 1/4"-20 X 1" LG HEX HD SST
3	1	END BELL, FOR 1/4" DIA PVC CONDUIT
4	AR	CEMENT FOR PVC CONDUIT AND FITTINGS
5	1 FT	CONDUIT PVC 1/4" DIA SCH 40
6	1	ANCHOR, MASONRY 1/4"-20
7	1	CLAMP BACK, 1/4", GALV STEEL
8	1	WASHER, 1/4" FLAT SST

GROUNDING CABLE PROTECTIVE SLEEVE (5) REF N.T.S. E-112 E-202

ISSUED FOR CONSTRUCTION

DRAWN	M.M.	11-15-96
CHECKED	JCL	7-24-96
ENGINEER	KCR	10-25-96
PROJ	T.D.M.	11-15-96

AS-BUILT DRAWINGS

**PARSONS**  
 100 WEST WALNUT STREET  
 PASADENA, CALIFORNIA

**LIGO**  
 CALIFORNIA INSTITUTE OF TECHNOLOGY  
 MASSACHUSETTS INSTITUTE OF TECHNOLOGY

**LIGO-D961043-01-0**  
 LASER INTERFEROMETER  
 GRAVITATIONAL-WAVE OBSERVATORY  
 SITE NO. 2 - LIVINGSTON, LOUISIANA

TITLE	SCALE	CONTRACT NUMBER	PROJECT NUMBER
ELECTRICAL GROUNDING DETAILS SHEET 3	NONE	PP150969	8094
SHEET NUMBER	REVISIONS		
LA-E-407			

This document and the design it covers are the property of PARSONS. They are loaned only with the borrower's expressed written agreement that they will not be reproduced, copied, loaned, exhibited, or used in any other way, except by written consent from PARSONS to the borrower.

Ref Aug 12 12:52:47 1998 C:\PLOT\JOB\53\43862.DWG 52085 K:\V382\ee\407.dwg LIGOLAF.BDR