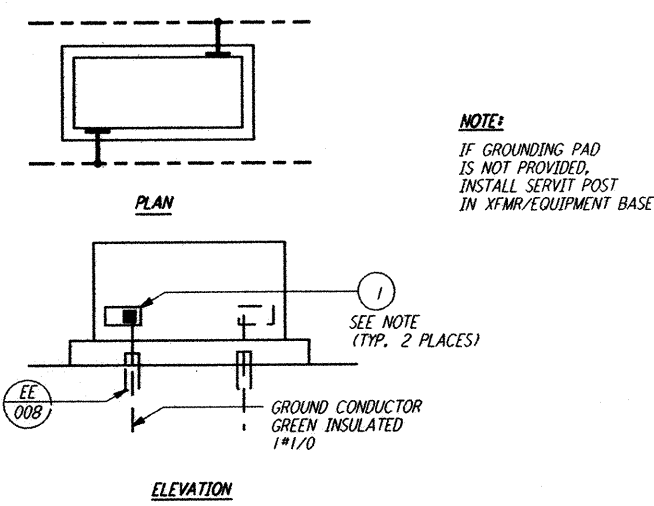


5

4

3

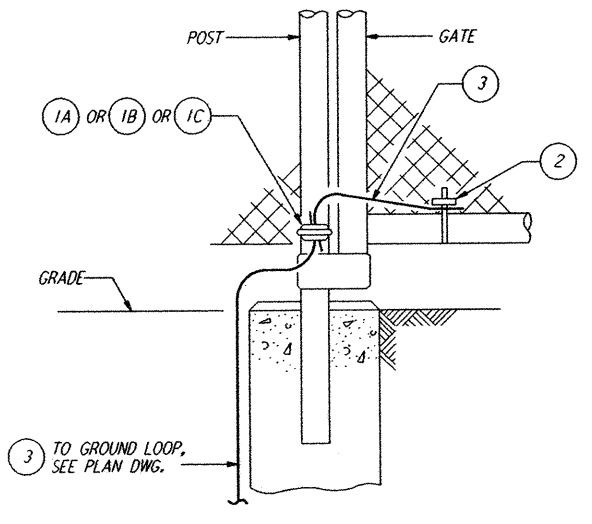
2



LIST OF MATERIAL

ITEM NO.	QTY	DESCRIPTION
1	2	SERVIT POST TWO #2-#2/0 WIRES SHORT STUD BURNIDY TYPE K2C-26

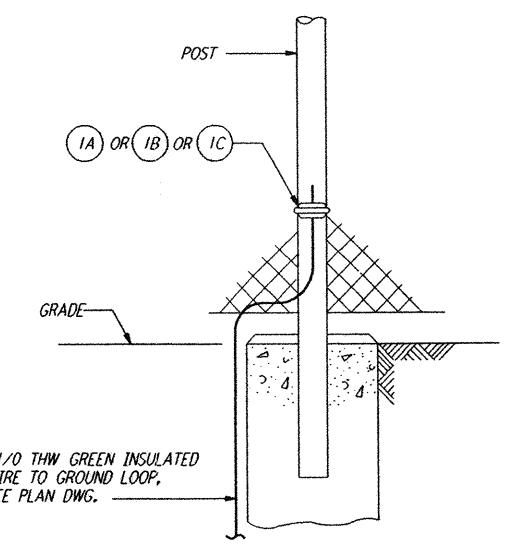
TRANSFORMER/EQUIPMENT GROUNDING (EE 007)  
 N. T. S.



LIST OF MATERIAL

ITEM NO.	QTY	DESCRIPTION
1A	1	GROUND CONNECTOR - 2" DIA POST, BURNIDY TYPE G01826
1B	1	GROUND CONNECTOR - 2 1/2" DIA POST, BURNIDY TYPE G01926
1C	1	GROUND CONNECTOR - 3" DIA POST, BURNIDY TYPE G02026
2	1	GROUND CONNECTOR - 1 1/2" DIA TUBE, BURNIDY TYPE G01726
3	AR	FLEXIBLE COPPER GROUND BRAID 100A RATING, BURNIDY MFR.

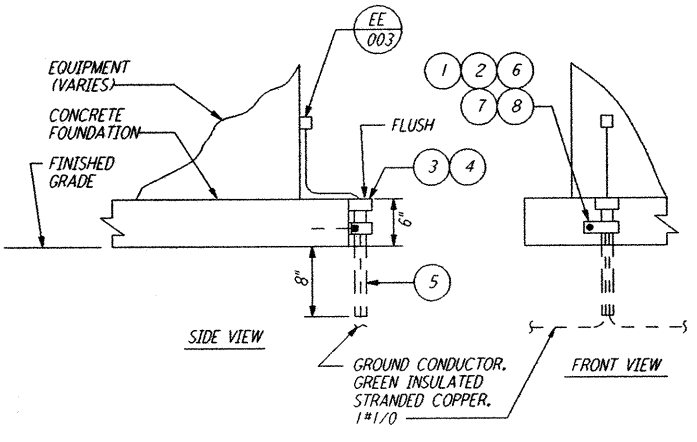
FENCE GATE GROUNDING (EE 008)  
 N. T. S.



LIST OF MATERIAL

ITEM NO.	QTY	DESCRIPTION
1A	1	GROUND CONNECTOR - 2" DIA POST, BURNIDY #G01826
1B	1	GROUND CONNECTOR - 2 1/2" DIA POST, BURNIDY #G01926
1C	1	GROUND CONNECTOR - 3" DIA POST, BURNIDY #G02026

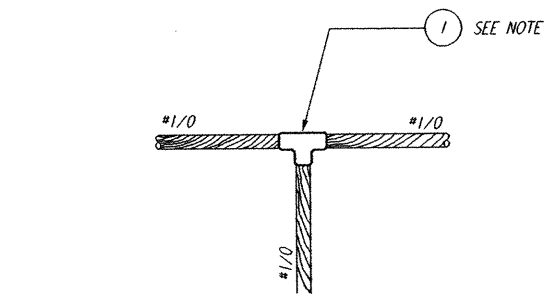
FENCE POST GROUNDING (EE 009)  
 N. T. S.



LIST OF MATERIAL

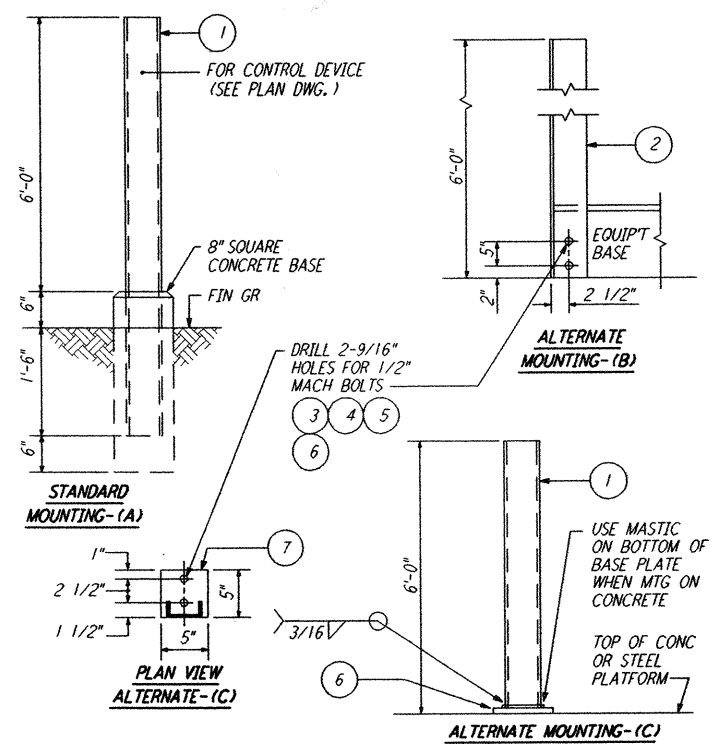
ITEM NO.	QTY	DESCRIPTION
1	1	CLAMP, GALV STEEL 1 1/4" DIA CONDUIT
2	1	BOLT, 1/4"-20 X 1" LG. HEX HD SST
3	1	END BELL, FOR 1 1/4" DIA PVC CONDUIT
4	AR	CEMENT FOR PVC CONDUIT AND FITTINGS
5	1FT	CONDUIT, PVC 1 1/4" DIA SCHED 40
6	1	ANCHOR, MASONRY 1/4"-20
7	1	CLAMP BACK, 1 1/4", GALV STEEL
8	1	WASHER, 1/4" FLAT SST

GROUNDING CABLE PROTECTIVE SLEEVE (EE 010)  
 N. T. S.



#1/0 BRANCH TAP TO #1/0 MAIN RUN (EE 011)  
 N. T. S.

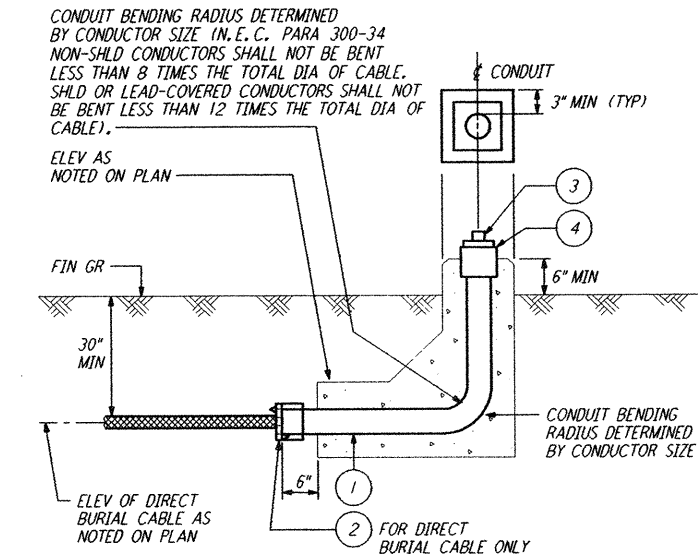
NOTE:  
 CONTRACTOR SHALL PROVIDE CADWELD SPLIT CRUCIBLE MOLD\* TAC2020-LW WITH WEAR PLATES AND E-Z CHANGE HANDLE CLAMP #L-160 PLUS DUXSEAL PACKING WHEN SEVEN STRAND CABLE IS ENCOUNTERED.



LIST OF MATERIAL

ITEM NO.	QTY	DESCRIPTION
1	AR	CHANNEL, 4" X 5, 4 LBS HOT DIPPED GALV
2	AR	ANGLE BAR, 4" X 4" X 1/4" HOT DIPPED GALV
3	2	CONCRETE ANCHOR, 1/2"-13 X 1 1/2" LG GALV
4	2	BOLT, 1/2"-13 X 1 1/2" LG HEX HD GALV
5	2	LOCKWASHER, 1/2" SPRING SST
6	1	COLD GALV., TUBE *ERC
7	1	PLATE, STEEL 1/2" X 5" X 5" GALV (WELD TO CHANNEL)

DEVICE MOUNTING STANCHION (EE 012)  
 N. T. S.



LIST OF MATERIAL

ITEM NO.	QTY	DESCRIPTION
1	AR	CONDUIT, RIGID GALVANIZED STEEL, SIZE PER PLAN
2	1	CONDUIT BUSHING, NON-INSULATED GALV, PER CONDUIT SIZE
3	1	PLUG, SO HD RIGID ALUM, PER CONDUIT SIZE
4	1	CONDUIT COUPLING, RIGID GALVANIZED STEEL, PER CONDUIT SIZE

CONDUIT STUB-UP (EE 013)  
 N. T. S.

LIGO-D961043-A-0

NO.	DATE	APRD BY	DESCRIPTION OF REVISION
9			
8			
7			
6			
5			
4			
3			
2			
1			

NO.	DATE	APRD BY	ISSUE
J			
H			
G			
F			
E			
D			
C			
B			
A	10-31-95	TDM	PRELIMINARY DESIGN REVIEW

NO.	DATE	APRD BY	ISSUE
	10-31-95	J. G.	DRAWN
			CHECKED
			ENGINEER
			PROJ MGR

**PARSONS**  
 100 WEST WALNUT STREET  
 PASADENA, CALIFORNIA

**LIGO**  
 CALIFORNIA INSTITUTE OF TECHNOLOGY  
 MASSACHUSETTS INSTITUTE OF TECHNOLOGY

LASER INTERFEROMETER  
 GRAVITATIONAL-WAVE OBSERVATORY  
 SITE NO. 2 - LIVINGSTON, LOUISIANA

TITLE	SCALE	CONTRACT NUMBER	PROJECT NUMBER
ELECTRICAL GROUNDING DETAILS	NONE	PP150969	8094
SHEET NUMBER	LA-E-407		REVISION

This document and the design it covers are the property of PARSONS. They are loaned only with the borrower's expressed written agreement that they will not be reproduced, copied, loaned, exhibited, or used in any other way, except by written consent from PARSONS to the borrower.

Tue Oct 31 00:01:04 1995 s3-v18b2 J:\PLOTS\QUEUES\18B2\EE407.PR