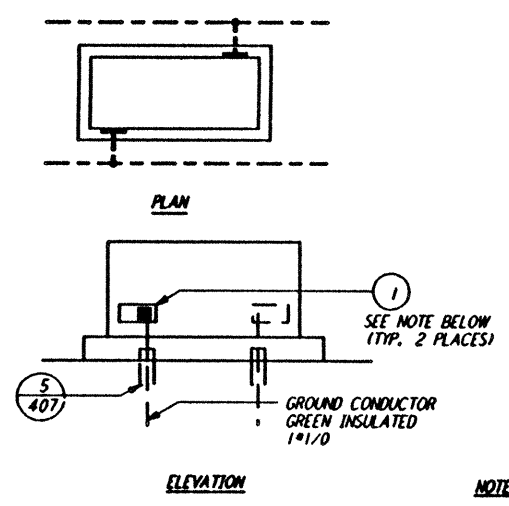


5

4

3

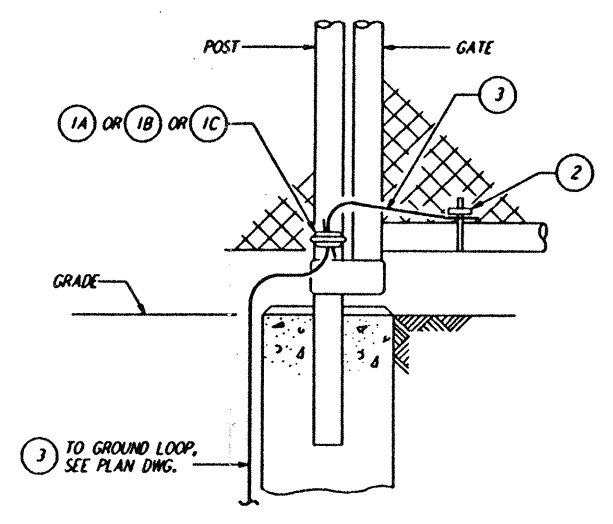
2



NOTE:
 IF GROUNDING PAD IS NOT PROVIDED, INSTALL SERVIT POST IN REAR/EQUIPMENT BASE

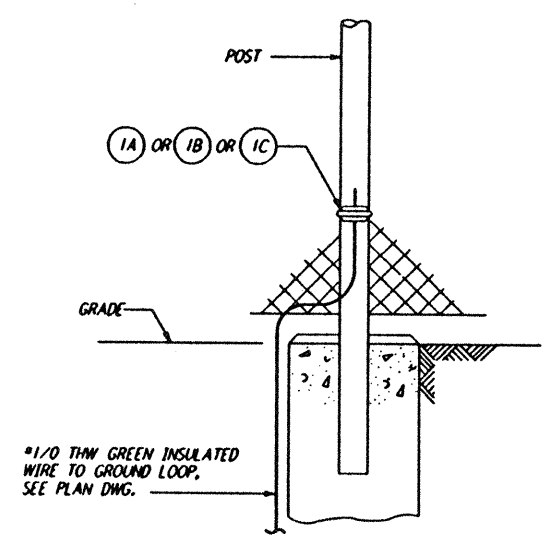
ITEM NO.	QTY	DESCRIPTION
1	2	SERVIT POST TWO #2-#2/0 WIRES SHORT STUD BURNIDY TYPE K2C-26

TRANSFORMER/EQUIPMENT GROUNDING (1) REF. E-112 E-202 N.T.S.



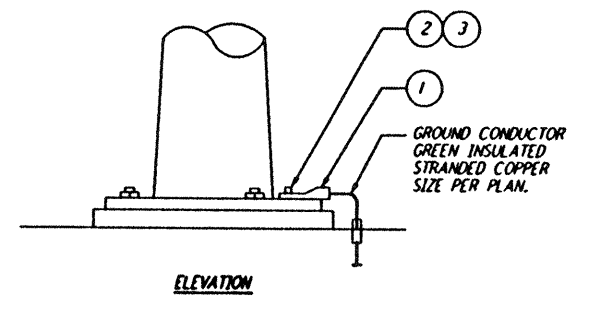
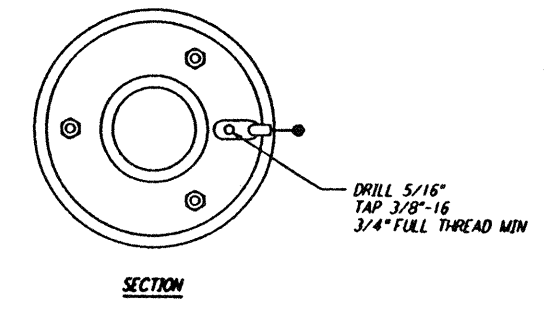
ITEM NO.	QTY	DESCRIPTION
1A	1	GROUND CONNECTOR - 2" DIA. POST, BURNIDY TYPE G01826
1B	1	GROUND CONNECTOR - 2 1/2" DIA. POST, BURNIDY TYPE G01926
1C	1	GROUND CONNECTOR - 3" DIA. POST, BURNIDY TYPE G02026
2	1	GROUND CONNECTOR - 1 1/2" DIA. TUBE, BURNIDY TYPE G4R1726
3	AR	FLEXIBLE COPPER GROUND BRAID 100A RATING, BURNIDY MFG.

FENCE GATE GROUNDING (2) REF. E-112 E-202 N.T.S.



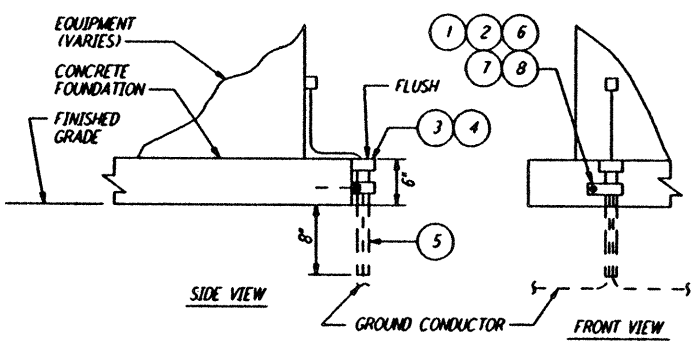
ITEM NO.	QTY	DESCRIPTION
1A	1	GROUND CONNECTOR - 2" DIA. POST, BURNIDY #G4R1826
1B	1	GROUND CONNECTOR - 2 1/2" DIA. POST, BURNIDY #G4R1926
1C	1	GROUND CONNECTOR - 3" DIA. POST, BURNIDY #G4R2026

FENCE POST GROUNDING (3) REF. E-202 N.T.S.



ITEM NO.	QTY	DESCRIPTION
1	1	LUG, #1/0-2/0 WIRE, BURNIDY TYPE 0A26-B (USE BURNIDY #02A26-2H WHEN USING 2 CABLES)
2	1	BOLT, 3/8"-16 X 3/4" LG. HEX HD DURILUM
3	1	LOCKWASHER, 3/8" SPRING DURILUM

LIGHTING POLE/BOLLARD GROUNDING (4) REF. N.T.S.



ITEM NO.	QTY	DESCRIPTION
1	1	CLAMP, GALV STEEL 1 1/4" DIA CONDUIT
2	1	BOLT, 1/4"-20 X 1" LG. HEX HD SST
3	1	END BELL, FOR 1 1/4" DIA PVC CONDUIT
4	AR	CEMENT FOR PVC CONDUIT AND FITTINGS
5	1 FT	CONDUIT, PVC 1 1/4" DIA SCH 40
6	1	ANCHOR, MASONRY 1/4"-20
7	1	CLAMP BACK, 1 1/4", GALV STEEL
8	1	WASHER, 1/4" FLAT SST

GROUNDING CABLE PROTECTIVE SLEEVE (5) REF. E-112 E-202 E-208 N.T.S.

NO.	DATE	BY	CHKD	ENGR	PROJ	DESCRIPTION
C	7-24-96	AMM	JCL		TDM	ISSUED FOR BID
B	6-14-96	AMM	JCL		TDM	FINAL DESIGN REVIEW
A	10-31-95				TDM	PRELIMINARY DESIGN REVIEW

DRAWN	M. M.
CHECKED	
ENGINEER	
PROJ	

PARSONS
 100 WEST WALNUT STREET
 PASADENA, CALIFORNIA

LIGO
 CALIFORNIA INSTITUTE OF TECHNOLOGY
 MASSACHUSETTS INSTITUTE OF TECHNOLOGY

LASER INTERFEROMETER
 GRAVITATIONAL-WAVE OBSERVATORY
 SITE NO. 2 - LIVINGSTON, LOUISIANA

TITLE	SCALE	CONTRACT NUMBER	DRAWING NUMBER
ELECTRICAL GROUNDING DETAILS SHEET 3	NONE	PP150969	8094
SHEET NUMBER			REVISION
LA-E-407			

LIGO-D961043-C-O

LIGOLAF.BDR

not be reproduced, copied, loaned, exhibited, or used in any other way, except by written consent from PARSONS to the borrower.

This document and the design it covers are the property of PARSONS. They are loaned only with the borrower's expressed written agreement that they will

Tue Jul 23 22:29:15 1996 S3-V18B2 J:\PLOTS\QUEUES\V18B2\EE407.PRF