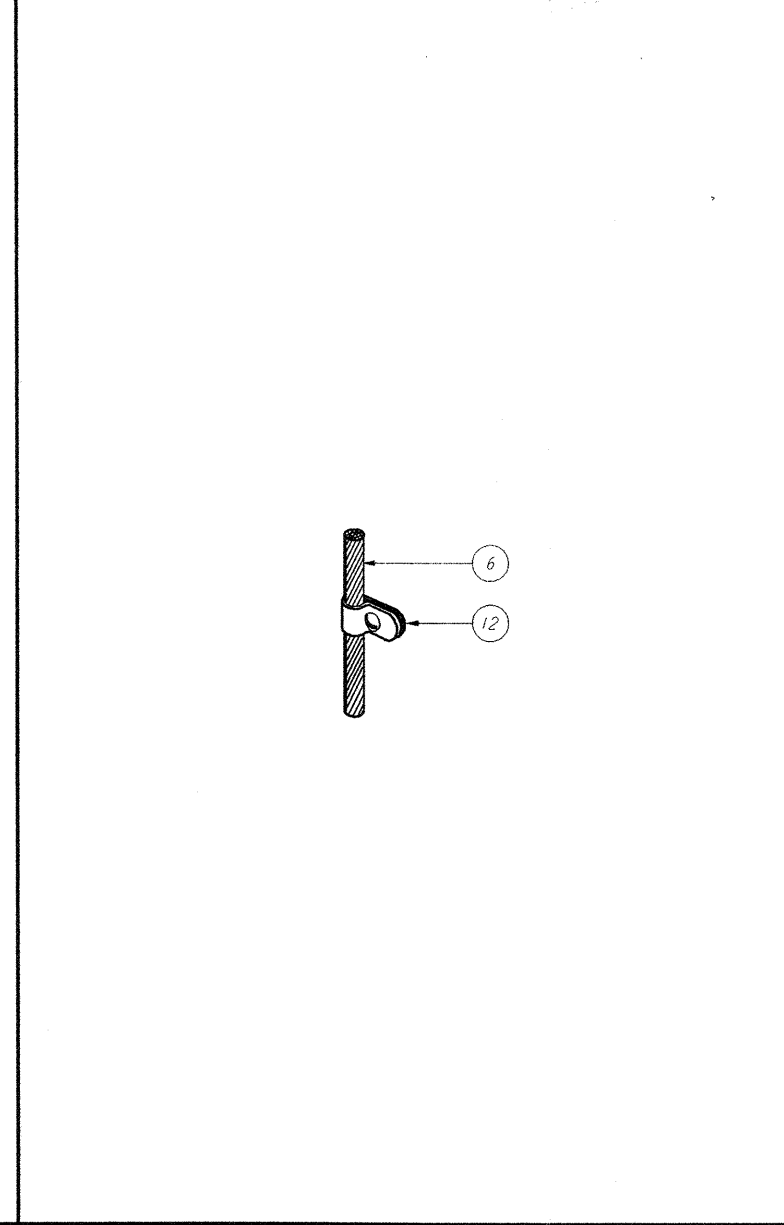
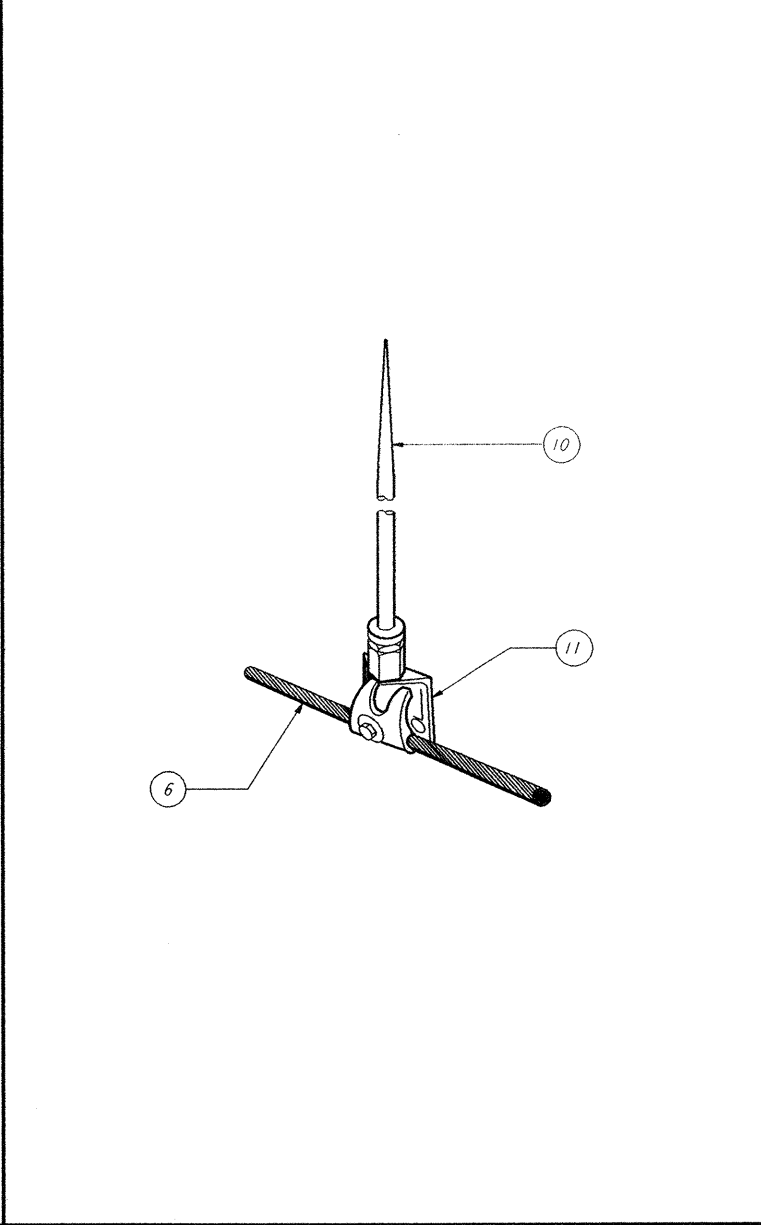
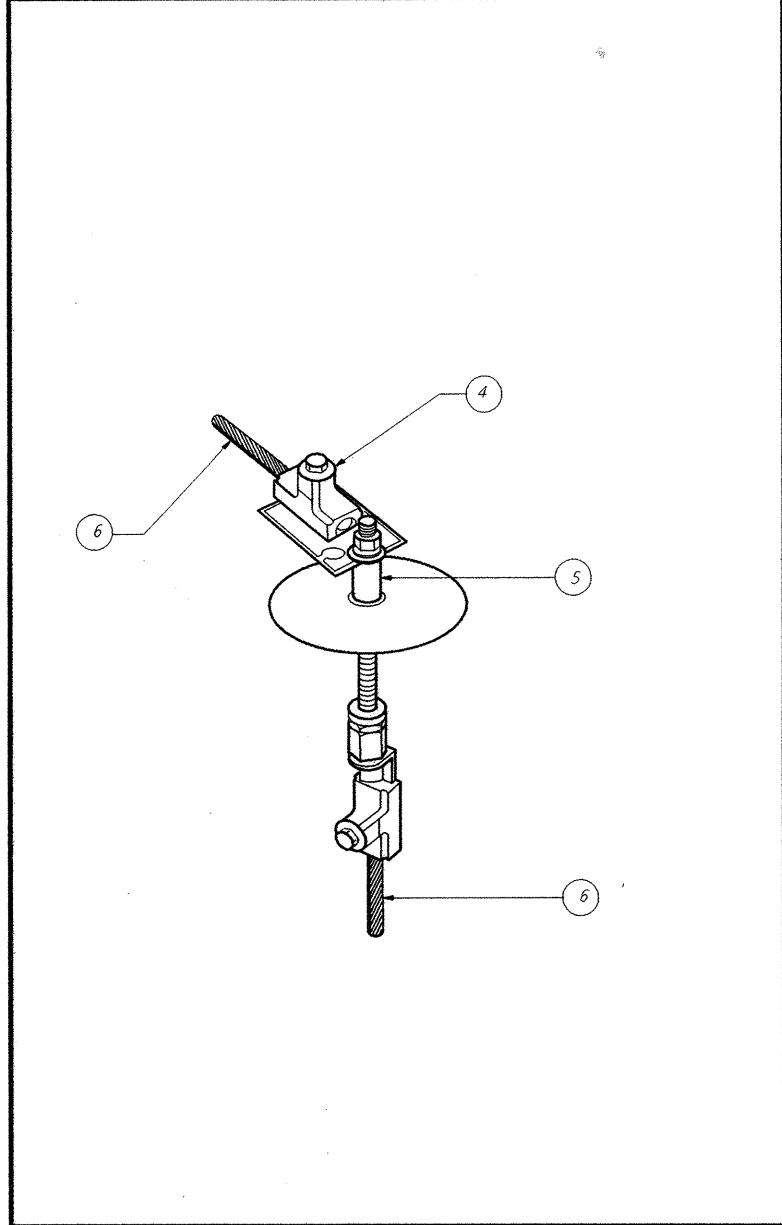
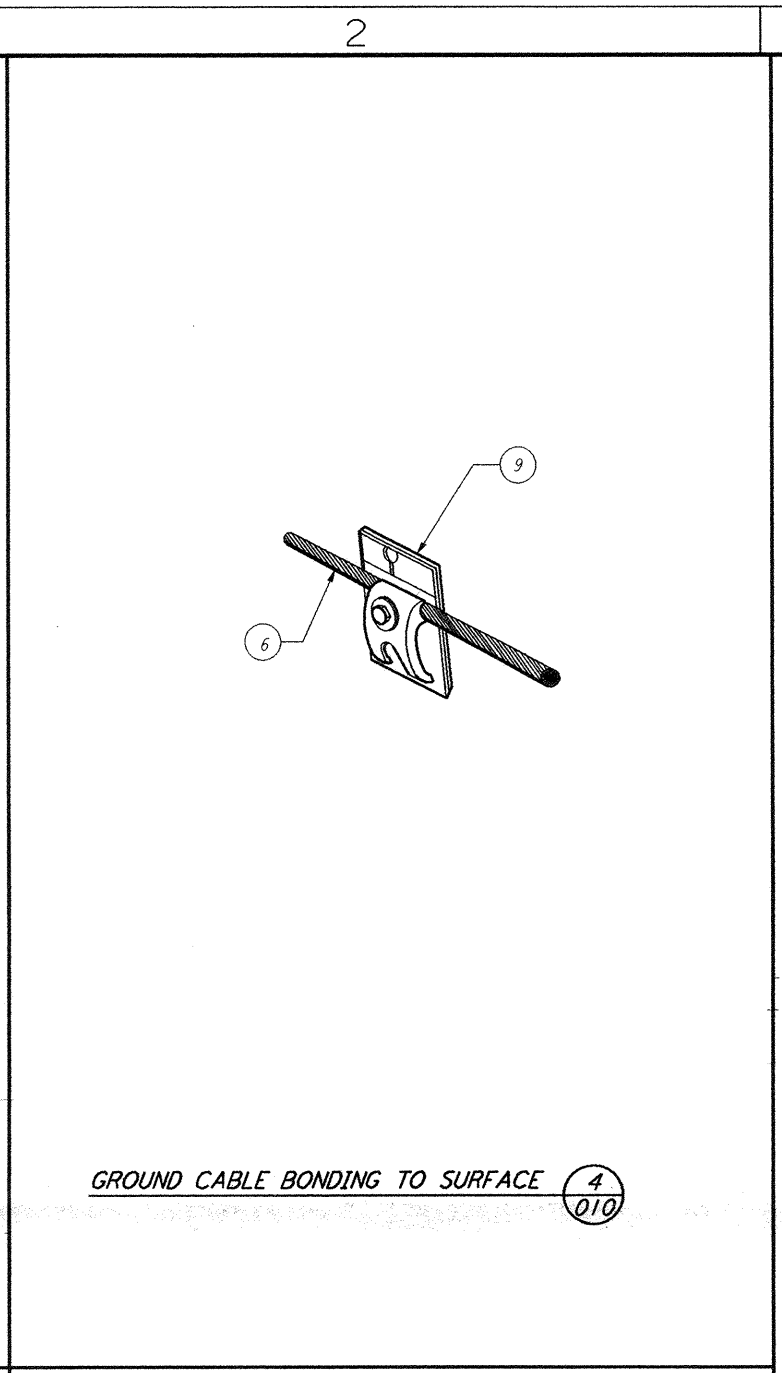
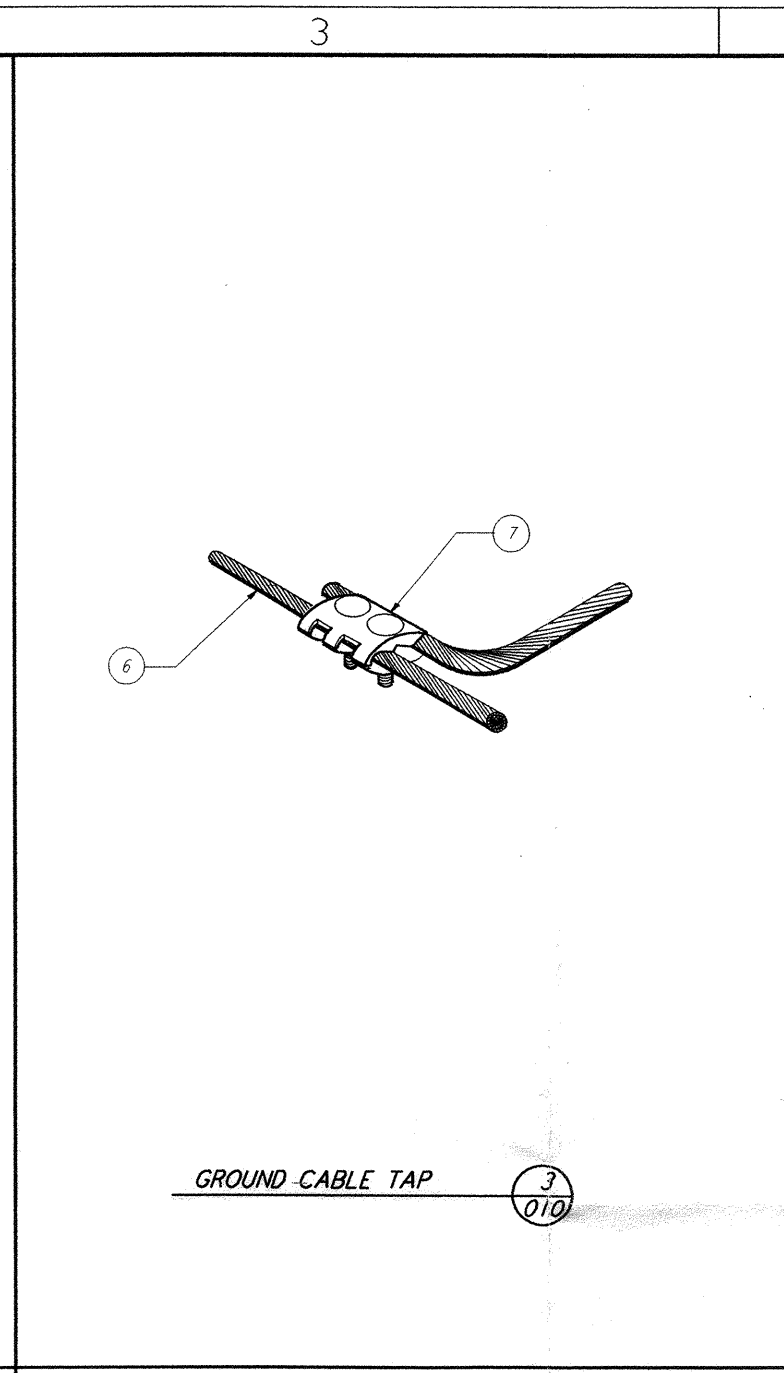
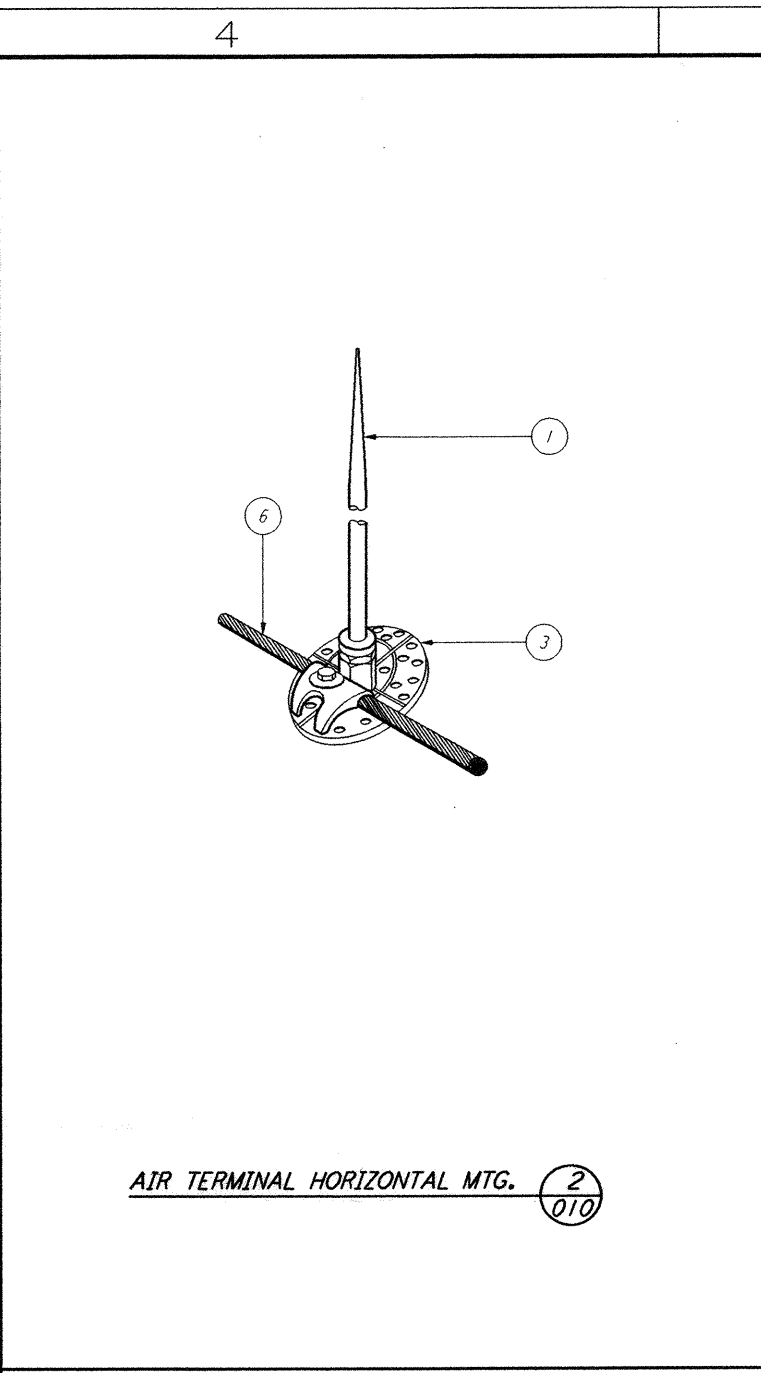
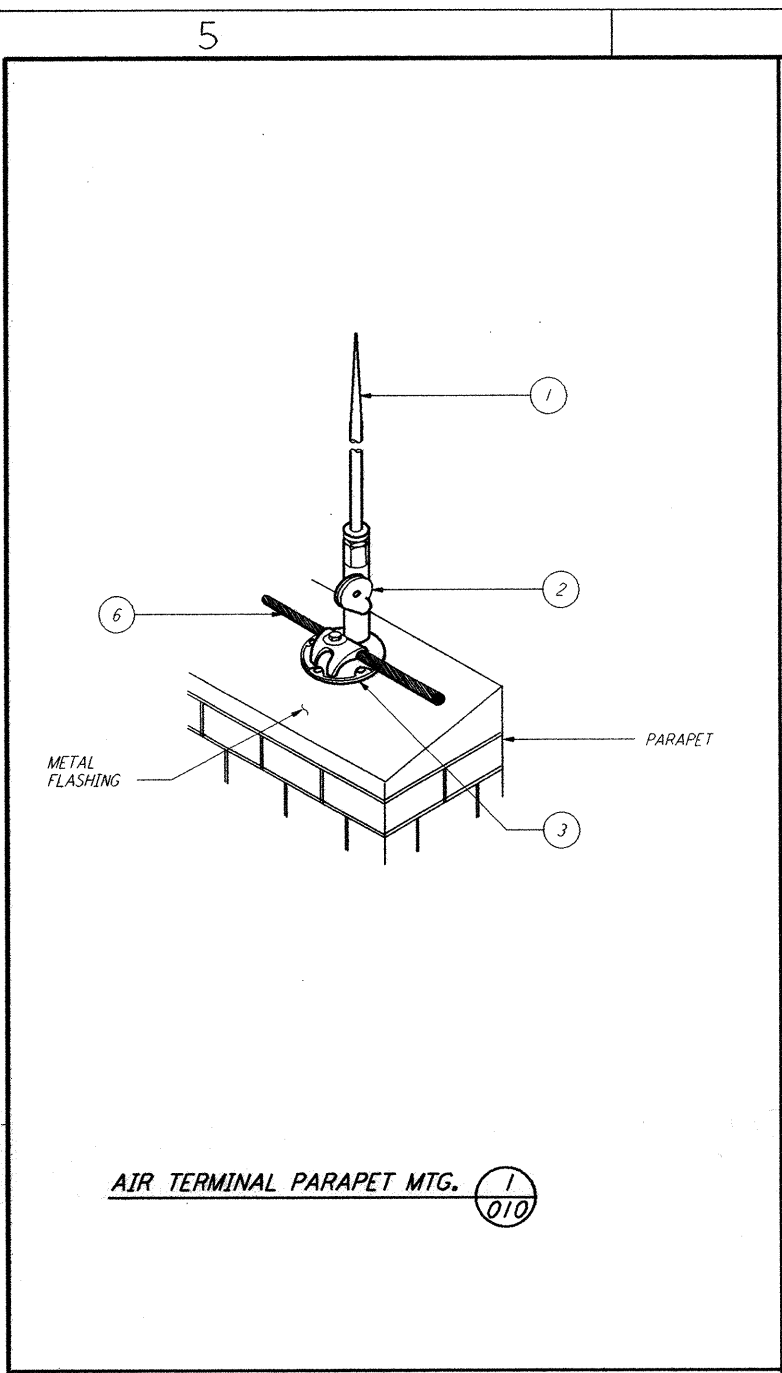


This document and the design it covers are the property of PARSONS. They are loaned only with the borrower's expressed written agreement that they will not be reproduced, copied, loaned, exhibited, or used in any other way, except by written consent from PARSONS to the borrower.

This document and the design it covers are the property of PARSONS. They are loaned only with the borrower's expressed written agreement that they will not be reproduced, copied, loaned, exhibited, or used in any other way, except by written consent from PARSONS to the borrower.



GENERAL NOTES:
 1. LIST OF MATERIAL ON TABLE SHOWN BELOW IS COMMON TO ALL DETAILS ON THIS DRAWING.

ITEM NO.	CODE	QTY	DESCRIPTION
1		165	POINT #55, NICKEL TIPPED 1/2" X 1/2" SOLID COPPER WITH BASE ADAPTER
2		93	SWIVEL CONNECTOR #27
3		141	ADHESIVE POINT BASE #688
4		25	THRU-ROOF CONNECTOR #708
5		25	THRU-ROOF FLASHING #746M
6		3500	CONDUCTOR #
7		74	ADJUSTABLE PARALLEL CLAMP #423B
8		AR	ADHESIVE
9		11	BONDING PLATE #702
10		2	POINT #571 NICKEL TIPPED COPPER 5/8" X 24"
11		2	VERTICAL CONNECTOR #690X
12		300	CABLE HOLDER #166X 1" WIDE COPPER LOOP

LIGO-D961044-A-0

NO.	DATE	APPRO BY	DESCRIPTION OF REVISION
9			
8			
7			
6			
5			
4			
3			
2			
1			

NO.	DATE	APPRO BY	ISSUED FOR
A	10-31-95	TDM	PRELIMINARY DESIGN REVIEW

DATE	10-31-95
DRAWN	J. G.
CHECKED	
ENGINEER	
PROJ MGR	

PARSONS
 100 WEST WALNUT STREET
 PASADENA, CALIFORNIA

LIGO
 CALIFORNIA INSTITUTE OF TECHNOLOGY
 MASSACHUSETTS INSTITUTE OF TECHNOLOGY

LASER INTERFEROMETER
 GRAVITATIONAL-WAVE OBSERVATORY
 SITE NO. 2 - LIVINGSTON, LOUISIANA

ELECTRICAL LIGHTNING PROTECTION DETAILS

SHEET NUMBER: **LA-E-408**

SCALE: NONE CONTRACT NUMBER: PP150969 PROJECT NUMBER: 8094

Tue Oct 31 00:02:12 1995 s3-v18b2 J:\PLOT5\QUEUES\18B2\EE408.PRF