

This document and the design it covers are the property of PARSONS. They are loaned only with the borrower's expressed written agreement that they will not be reproduced, copied, loaned, exhibited, or used in any other way, except by written consent from PARSONS to the borrower.

NO.	DATE	BY	CHKD	ENGR	PROJ	DESCRIPTION
C	7-24-96	CLP	MP	MN	TDM	ISSUED FOR BID
B	6-14-96	DG	MP	MN	TDM	FINAL DESIGN REVIEW
A	10-31-95	SG	MP	MN	TDM	PRELIMINARY DESIGN REVIEW

DRAWN	DG
CHECKED	
ENGINEER	
PROJ	

PARSONS
 100 WEST WALNUT STREET
 PASADENA, CALIFORNIA

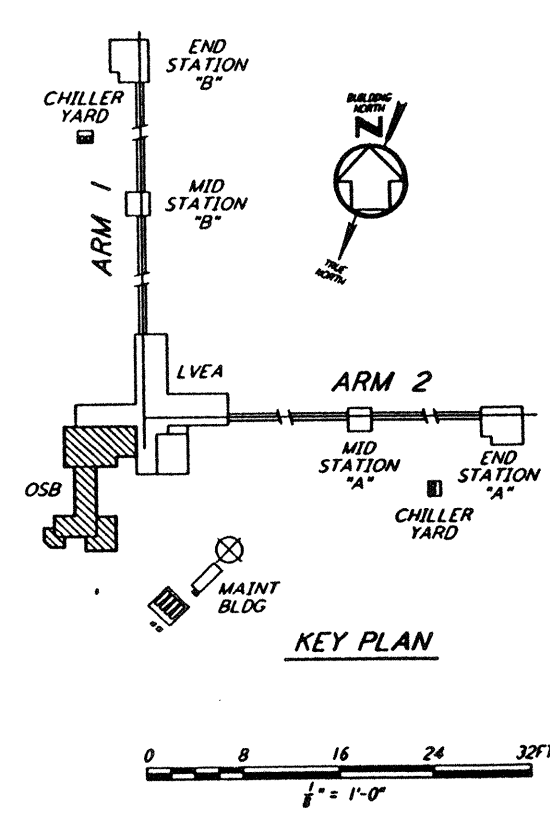
LIGO
 CALIFORNIA INSTITUTE OF TECHNOLOGY
 MASSACHUSETTS INSTITUTE OF TECHNOLOGY

**LASER INTERFEROMETER
 GRAVITATIONAL-WAVE OBSERVATORY
 SITE NO. 2 - LIVINGSTON, LOUISIANA**

TITLE: **PLUMBING
 CORNER STATION
 OSB FLOOR PLAN**

SCALE: AS NOTED
 SHEET NUMBER: **PP150969**
 PROJECT NUMBER: **8094**

LA-P-112



- NOTES:**
- A CLEAN AGENT FIRE SUPPRESSION SYSTEM SHALL BE PROVIDED ABOVE AND WITHIN THE DEPRESSED FLOOR SPACE, FOR THE FOLLOWING ROOMS:
 - A. FACILITY CONTROL ROOM [162]
 - B. TAPE & COMPUTER MASS STORAGE ROOM [165]
 - C. COMPUTER USERS ROOM [161]
 - D. GENERAL COMPUTING [163]
 - REFER TO THE PERFORMANCE TYPE SPECIFICATIONS FOR REQUIREMENTS AND DESIGN CRITERIA.

Mon Jul 22 15:18:48 1996 s3-v18b2 J:\PLOTS\QUEUES\18B2\MU112.D.PR