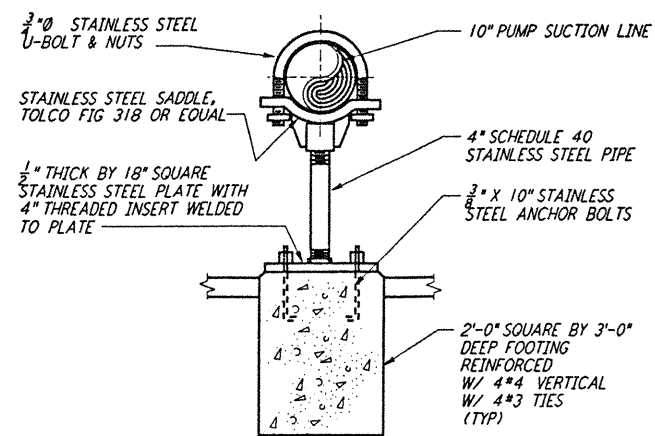
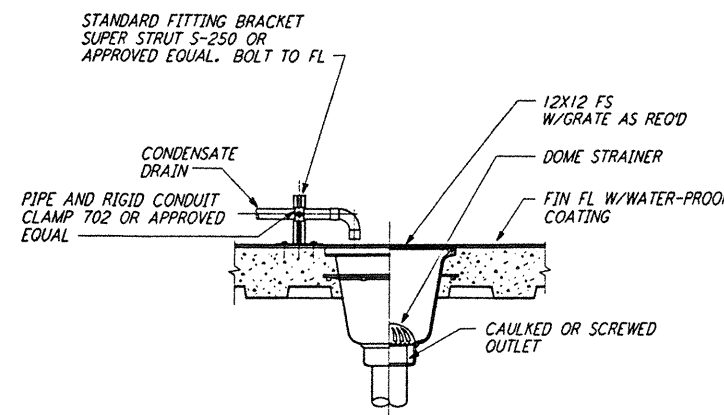


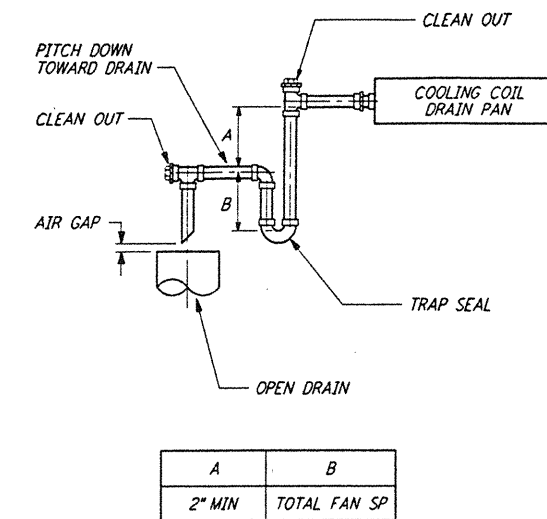
PIPE SUPPORT DETAIL 1 REF  
NTS LA-P-411



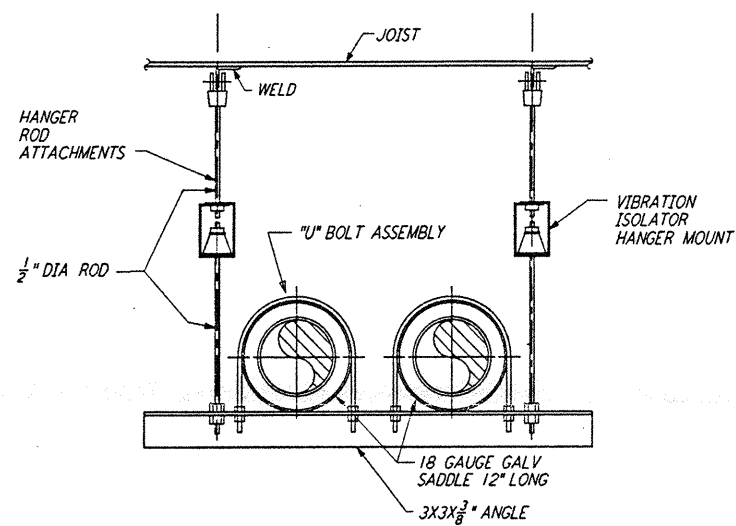
PIPE SUPPORT DETAIL 2 REF  
NTS LA-P-411



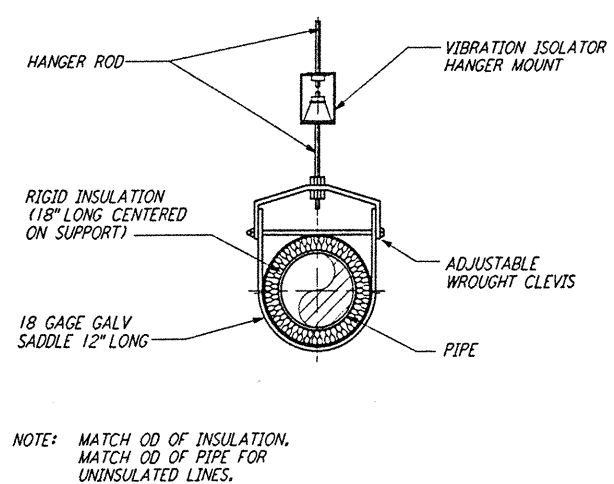
FLOOR SINK DETAIL 3 REF  
NTS LA-P-411



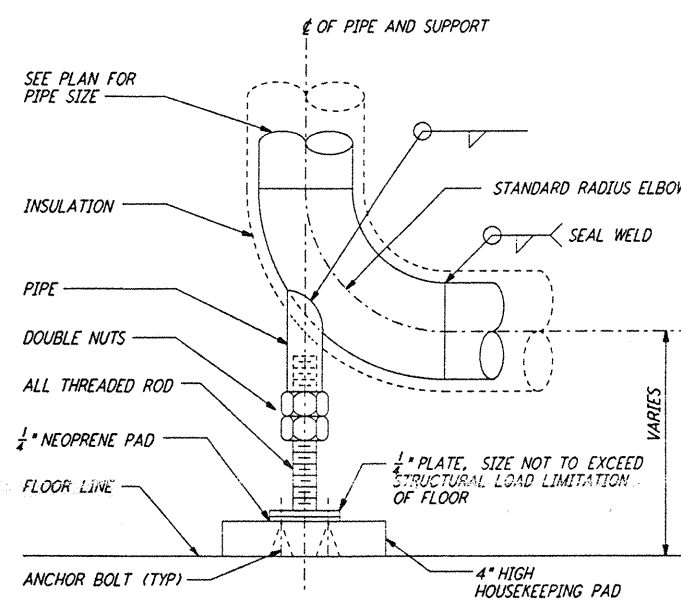
CONDENSATE DRAIN DETAIL 4 REF  
NTS LA-P-411



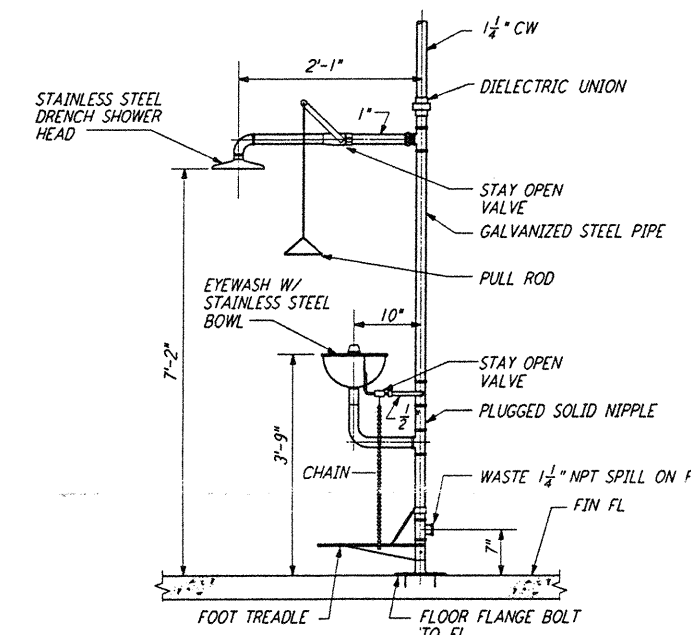
PIPE HANGER - TRAPEZE DETAIL 5 REF  
NTS LA-P-411



PIPE HANGER DETAIL - SINGLE PIPE 6 REF  
NTS LA-P-411



BASE ELBOW SUPPORT DETAIL 7 REF  
NTS LA-P-411

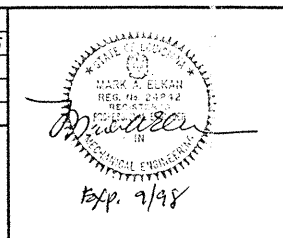


EMERGENCY SHOWER AND EYE WASH DETAIL 8 REF  
NTS LA-P-411

This document and the design it covers are the property of PARSONS. They are loaned only with the borrower's expressed written agreement that they will not be reproduced, copied, loaned, exhibited, or used in any other way, except by written consent from PARSONS to the borrower.

NO.	DATE	BY	CHKD	ENGR	PROJ	DESCRIPTION

ISSUED FOR CONSTRUCTION	
DRAWN	DG 11-15-96
CHECKED	NYE 10-26-96
ENGINEER	AA 10-23-96
PROJ	SDM 11/15/96



**PARSONS**  
100 WEST WALNUT STREET  
PASADENA, CALIFORNIA

**LIGO**  
CALIFORNIA INSTITUTE OF TECHNOLOGY  
MASSACHUSETTS INSTITUTE OF TECHNOLOGY

LASER INTERFEROMETER  
GRAVITATIONAL-WAVE OBSERVATORY  
SITE NO. 2 - LIVINGSTON, LOUISIANA

TITLE: PLUMBING DETAILS  
SCALE: NONE  
CONTRACT NUMBER: PPI50969  
PROJECT NUMBER: 8094  
SHEET NUMBER: LA-P-411