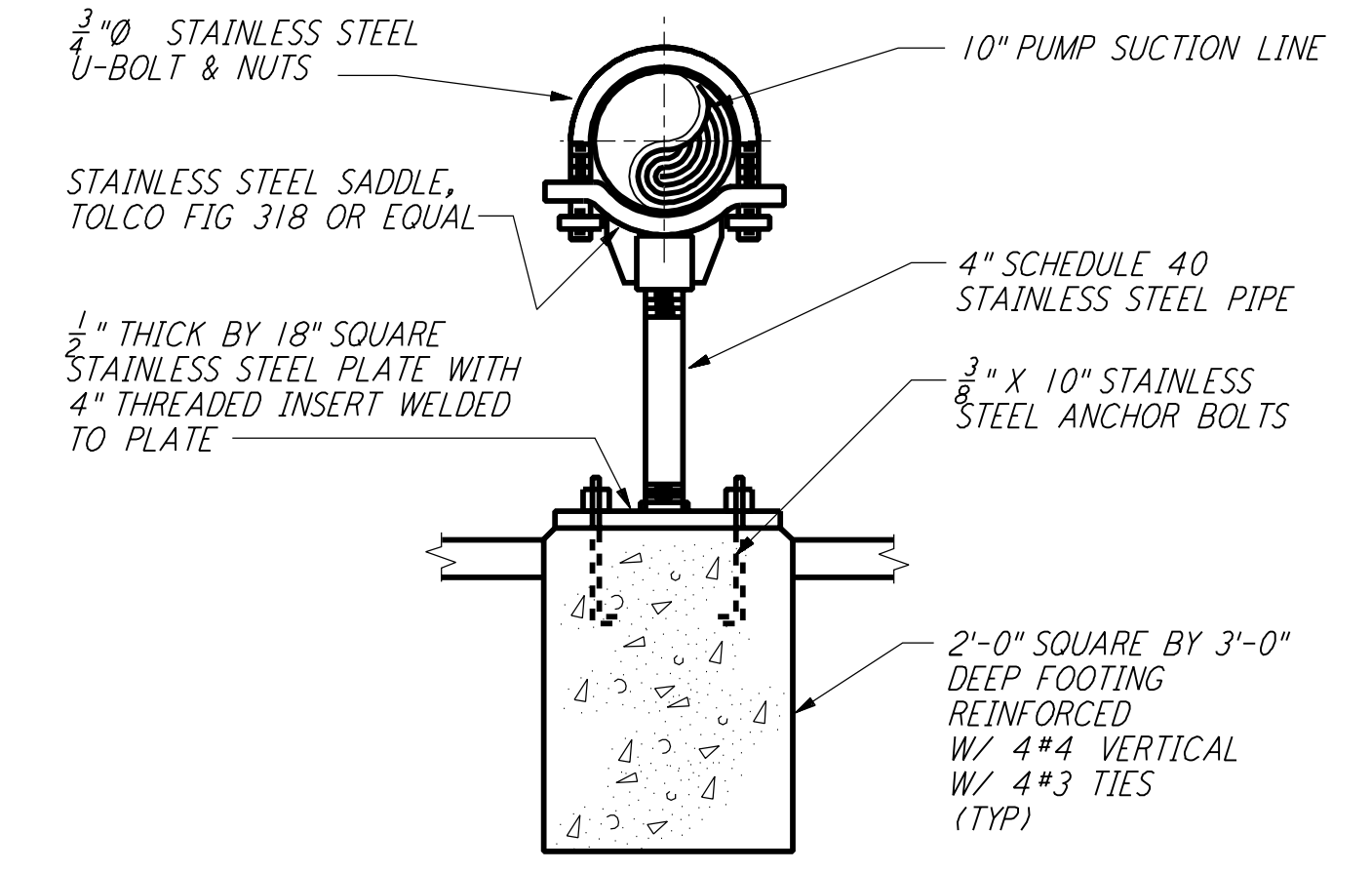
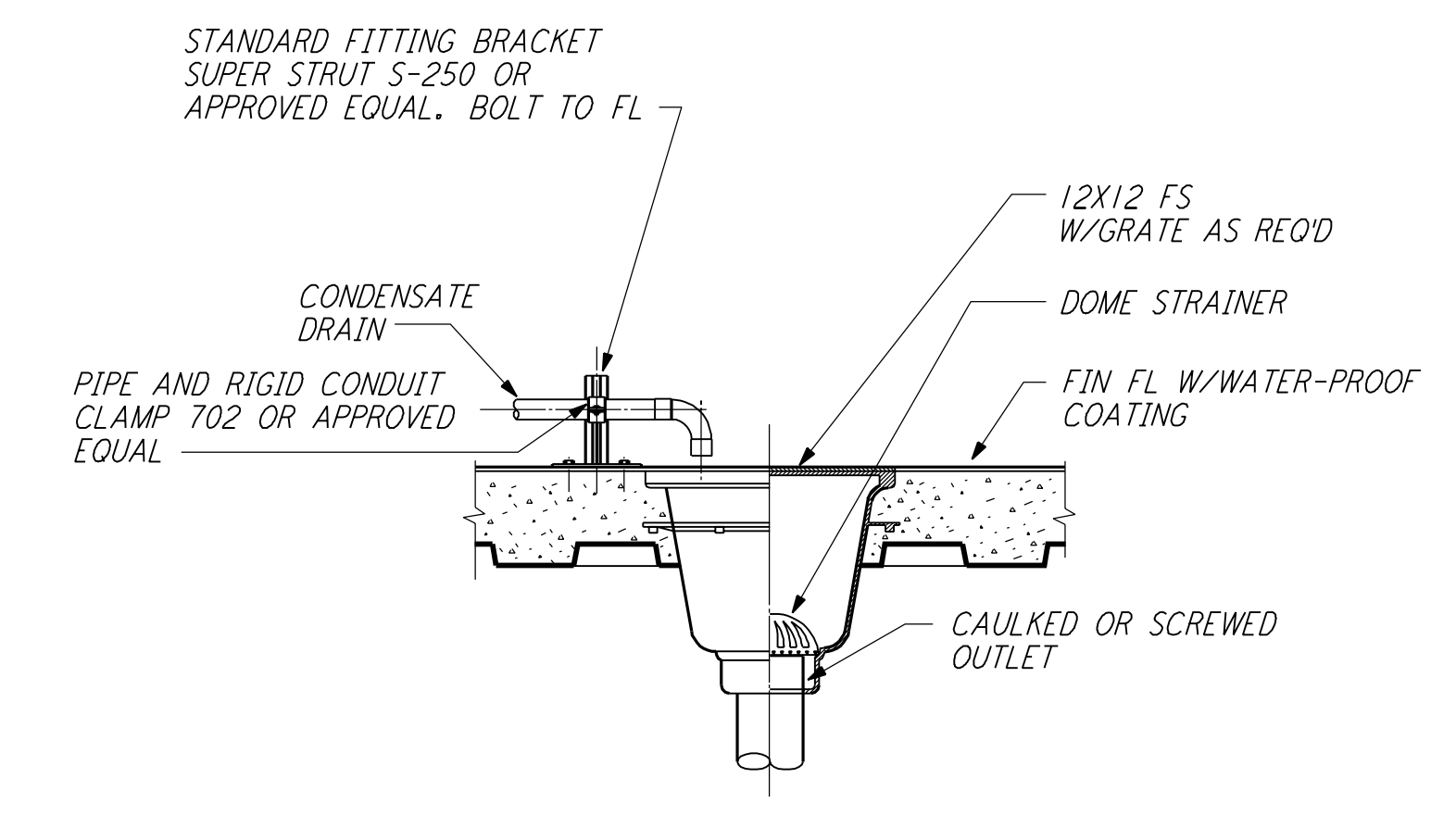


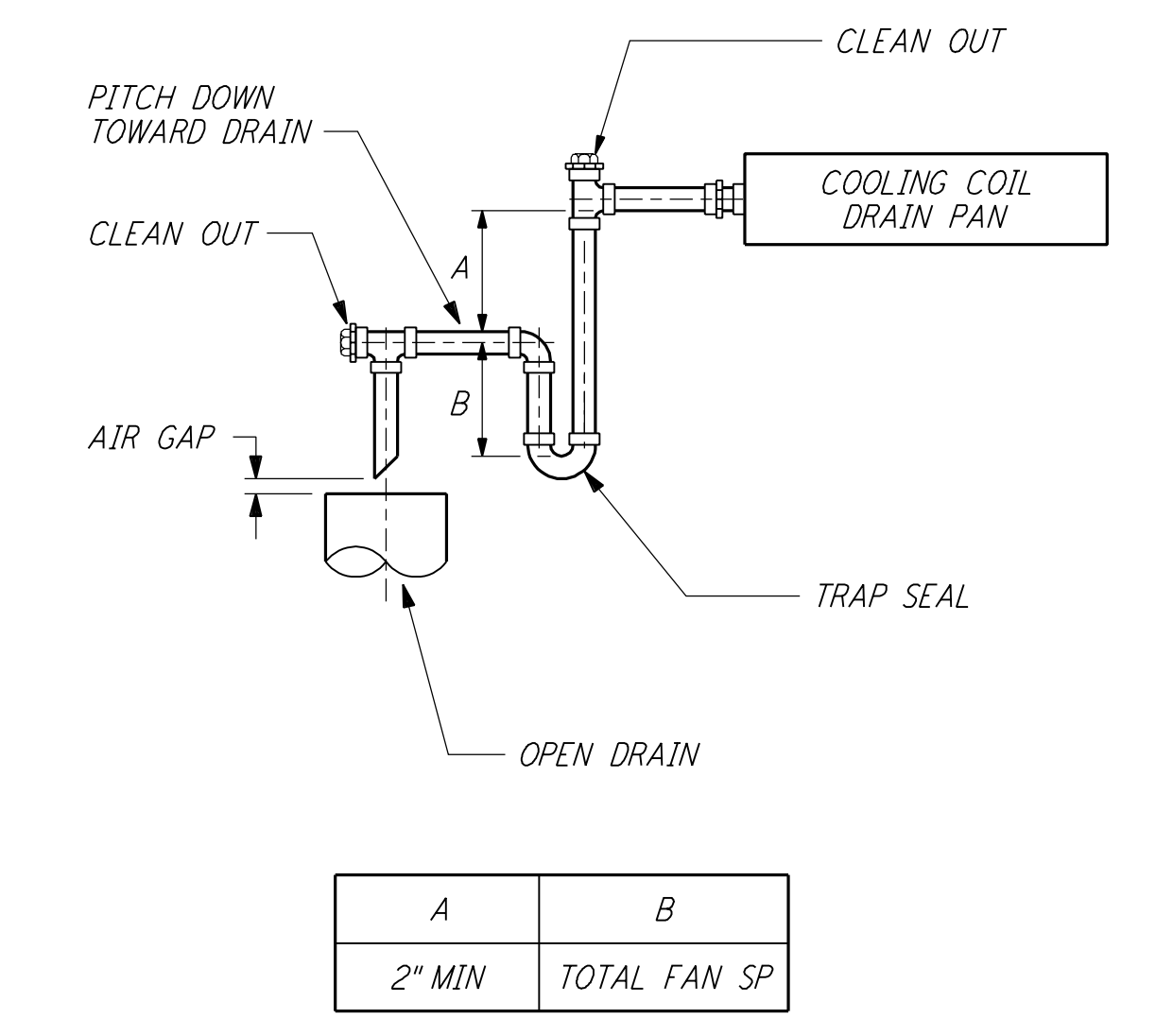
PIPE SUPPORT DETAIL 1 REF
 NTS LA-P-411



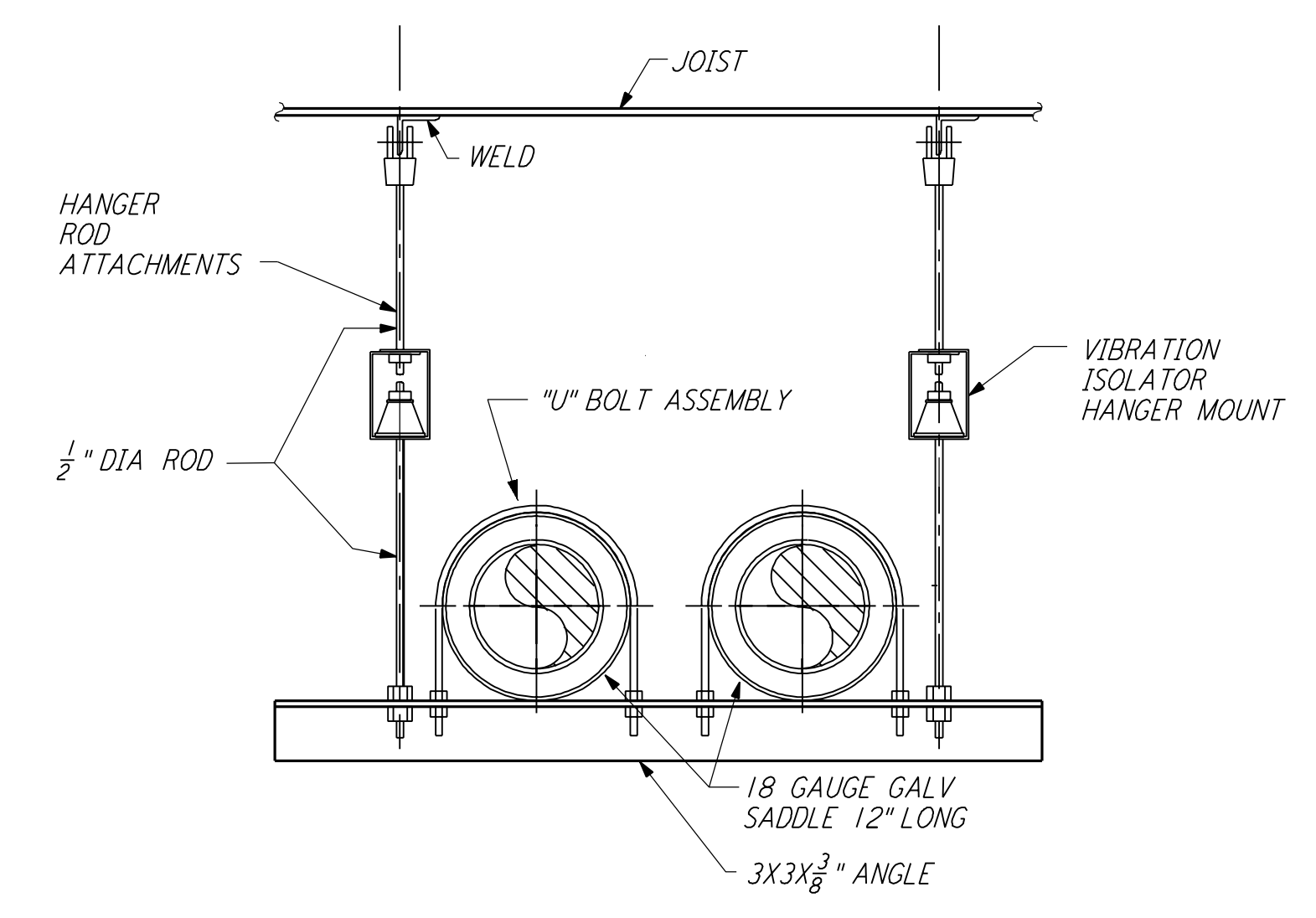
PIPE SUPPORT DETAIL 2 REF
 NTS LA-P-411



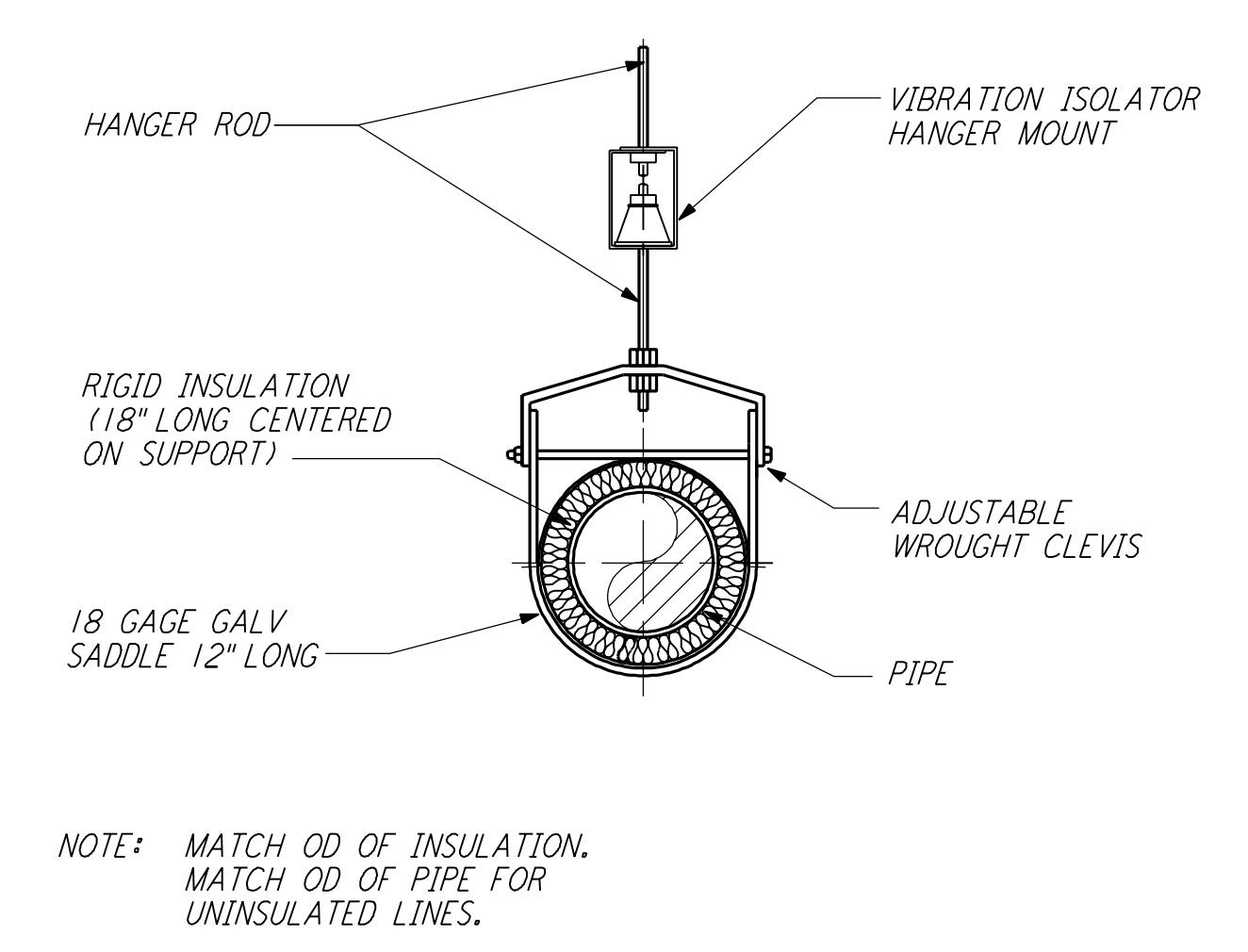
FLOOR SINK DETAIL 3 REF
 NTS LA-P-411



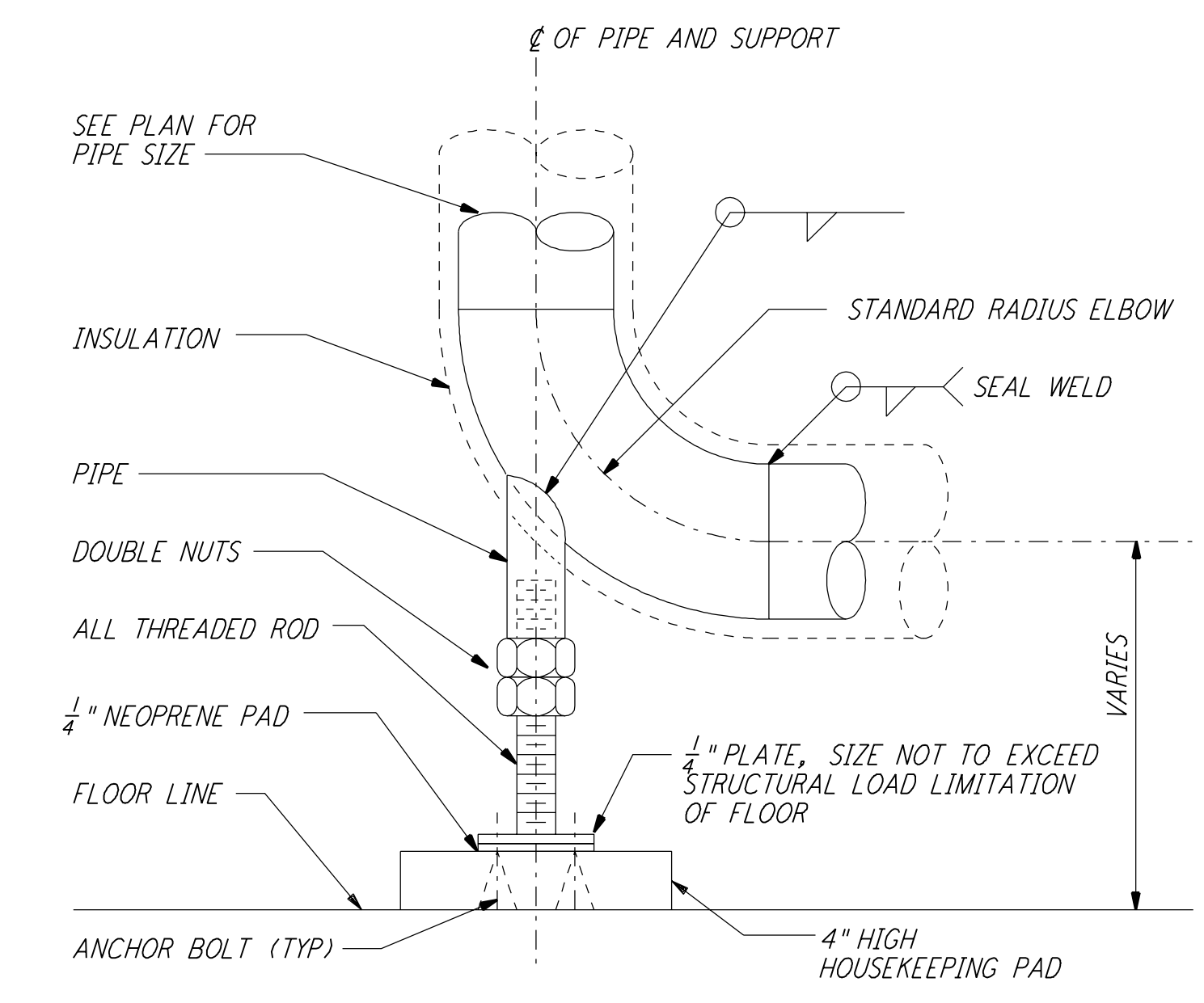
CONDENSATE DRAIN DETAIL 4 REF
 NTS LA-P-411



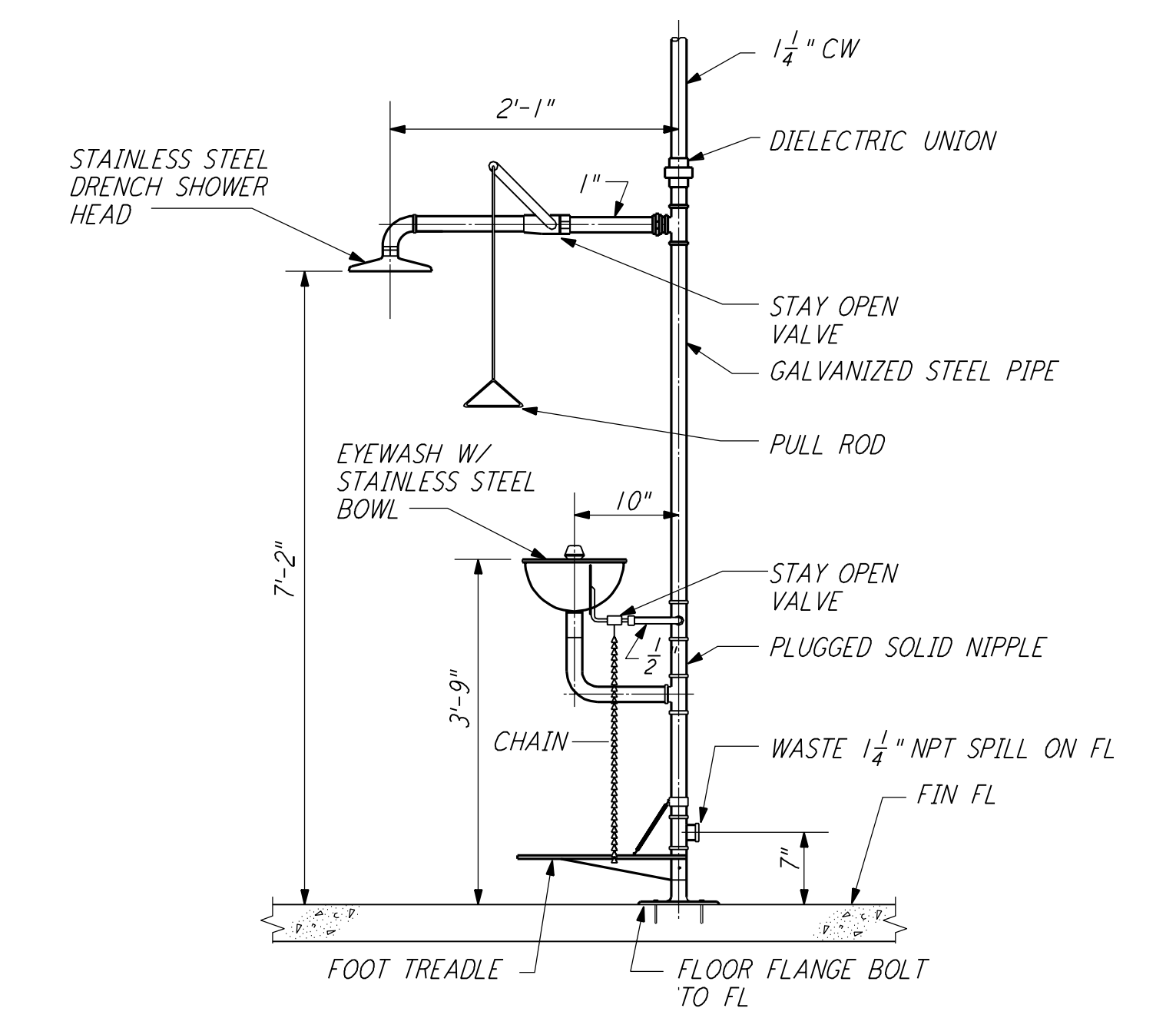
PIPE HANGER - TRAPEZE DETAIL 5 REF
 NTS LA-P-411



PIPE HANGER DETAIL - SINGLE PIPE 6 REF
 NTS LA-P-411



BASE ELBOW SUPPORT DETAIL 7 REF
 NTS LA-P-411



EMERGENCY SHOWER AND EYE WASH DETAIL 8 REF
 NTS LA-P-411

This document and the design it covers are the property of PARSONS. They are loaned only with the borrower's expressed written agreement that they will not be reproduced, copied, loaned, exhibited, or used in any other way, except by written consent from PARSONS to the borrower.

REFERENCES	REVISIONS	ISSUED FOR CONSTRUCTION						
		DRAWN DG 11-15-96						
		CHECKED ME 10-25-96						
		ENGINEER AA 10-25-96						
		PROJ TDM 11-15-96						
		AS-BUILT DRAWINGS						
		ISSUED FOR AS-BUILT						
DRAWING NO.	DESCRIPTION	NO.	DATE	BY	CHKD	ENGR	PROJ	DESCRIPTION
		1	8-7-98	DJB				

ISSUED FOR CONSTRUCTION
 DRAWN DG 11-15-96
 CHECKED ME 10-25-96
 ENGINEER AA 10-25-96
 PROJ TDM 11-15-96
AS-BUILT DRAWINGS
 ISSUED FOR AS-BUILT

100 WEST WALNUT STREET
 PASADENA, CALIFORNIA

PARSONS
 CALIFORNIA INSTITUTE OF TECHNOLOGY
 MASSACHUSETTS INSTITUTE OF TECHNOLOGY

LIGO
 CALIFORNIA INSTITUTE OF TECHNOLOGY
 MASSACHUSETTS INSTITUTE OF TECHNOLOGY

LIGO-D961054-01-0
 LASER INTERFEROMETER
 GRAVITATIONAL-WAVE OBSERVATORY
 SITE NO. 2 - LIVINGSTON, LOUISIANA
PLUMBING DETAILS
 SCALE: NONE
 CONTRACT NUMBER: PP150969
 PROJECT NUMBER: 8094
LA-P-411