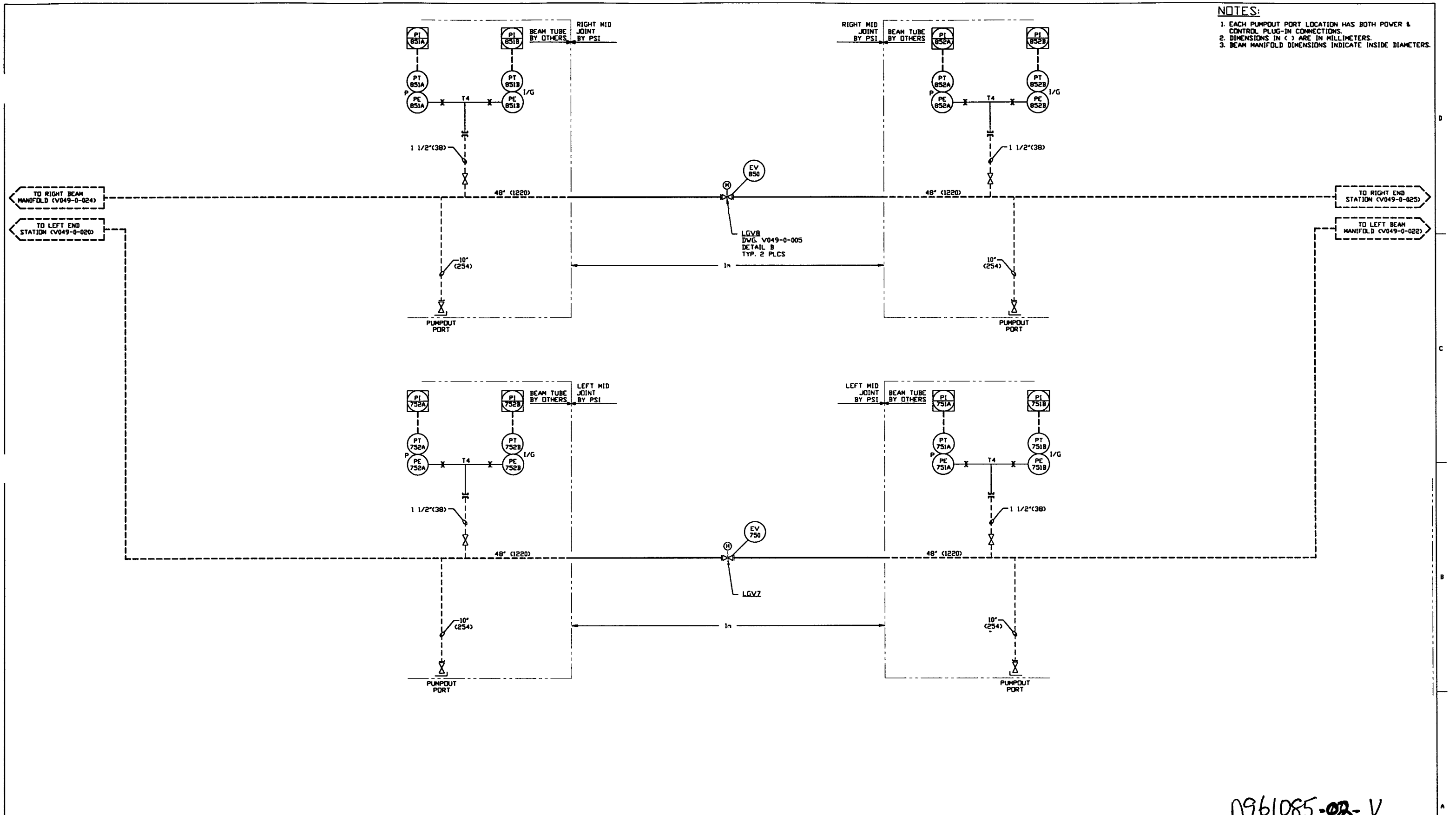


NOTES:

1. EACH PUMP-OUT PORT LOCATION HAS BOTH POWER & CONTROL PLUG-IN CONNECTIONS.
2. DIMENSIONS IN () ARE IN MILLIMETERS.
3. BEAM MANIFOLD DIMENSIONS INDICATE INSIDE DIAMETERS.



0961085-02-V

<p>PROPRIETARY AND CONFIDENTIAL</p> <p>DOCUMENT CONTAINS PROPRIETARY INFORMATION BELONGING TO PROCESS SYSTEMS INTERNATIONAL, INC. OR ITS RELATED COMPANIES AND SHALL BE USED ONLY FOR THE PURPOSE FOR WHICH IT WAS SUPPLIED. IT SHALL NOT BE COPIED, REPRODUCED OR OTHERWISE USED, NOR SHALL SUCH INFORMATION BE FURNISHED IN WHOLE OR IN PART TO OTHERS EXCEPT IN ACCORDANCE WITH THE TERMS OF ANY AGREEMENT UNDER WHICH IT WAS SUPPLIED OR WITH THE PRIOR WRITTEN CONSENT OF PROCESS SYSTEMS INTERNATIONAL, INC. AND SHALL BE RETURNED UPON REQUEST.</p>		<p>V049-0-025 P & ID RIGHT END STATION</p> <p>V049-0-024 P & ID RIGHT BEAM MANIFOLD</p> <p>V049-0-022 P & ID LEFT BEAM MANIFOLD</p> <p>V049-0-020 P & ID LEFT END STATION</p> <p>V049-0-001 P & ID LEGEND</p>	<p>EQUIP. THIS DVG.</p> <p>LGV7</p> <p>LGV8</p>	<p>UNLESS OTHERWISE SPECIFIED DIMENSIONS ARE IN INCHES</p> <p>TOLERANCES:</p> <p>FRACTIONAL & ANGULAR APPROX 1/8" - 3/16" BEH 1/8" 2/3 TWO PLACE DECIMAL & 0.1 THREE PLACE DECIMAL & 0.05 FINISHED SURFACE RMS BEAM CONICES IN OUT REMOVE ALL BURRS</p> <p>DO NOT SCALE THIS DRAWING</p>	<p>2 ISSUE FOR FDR UPDATE</p> <p>1 ISSUE FOR FDR</p> <p>0 ISSUE FOR DESIGN</p>	<p>REB TS RT SM DMCV FRJW</p> <p>04.26.96</p> <p>01.03.96</p>	<p>10.25.96</p> <p>0309</p> <p>0134</p> <p>0031</p>	<p>PROCESS SYSTEMS INTERNATIONAL, INC.</p> <p>20 WALKUP DR. WESTBOROUGH, MASSACHUSETTS 01581 USA</p> <p>PIPING & INSTRUMENTATION DIAGRAM</p> <p>LIGO VACUUM EQUIPMENT</p> <p>LOUISIANA SITE</p> <p>LEFT & RIGHT MID JOINTS</p>	<p>CAD FILE: V0490021</p> <p>SIZE: D</p> <p>DWG. NO.: V049-0-021</p> <p>REV. 2</p>	<p>SCALE: NONE</p> <p>SHEET: 1 OF 1</p>
---	--	---	---	--	--	---	---	--	--	---