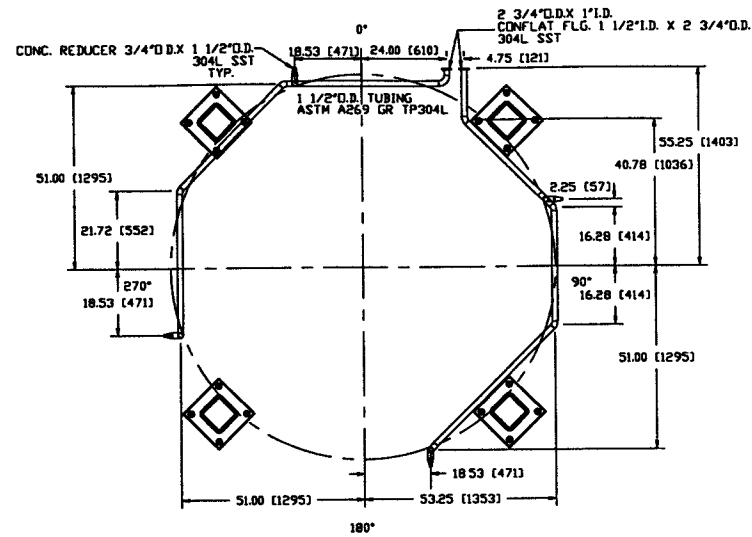
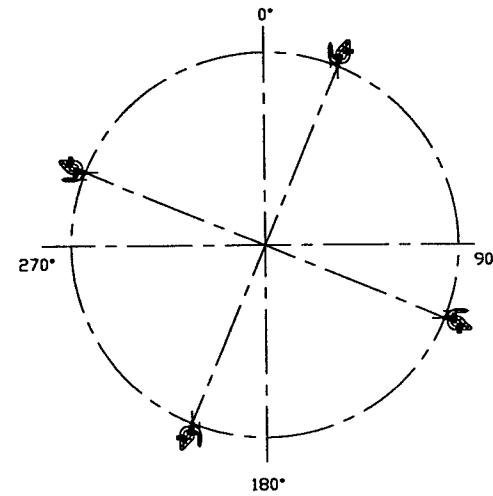


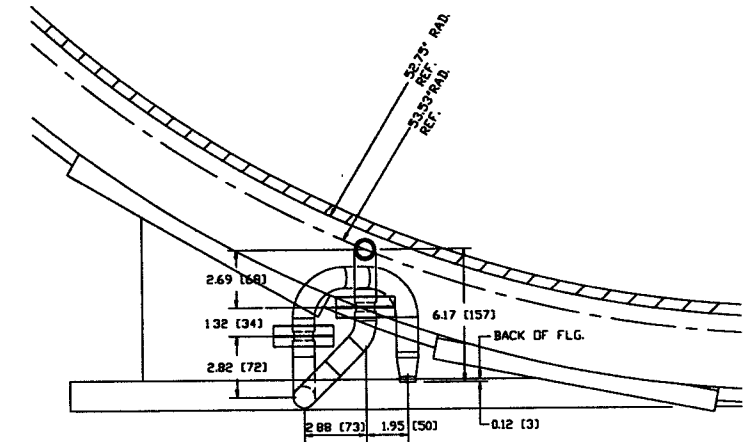
PLAN
SCALE: 1/2" = 1'-0"



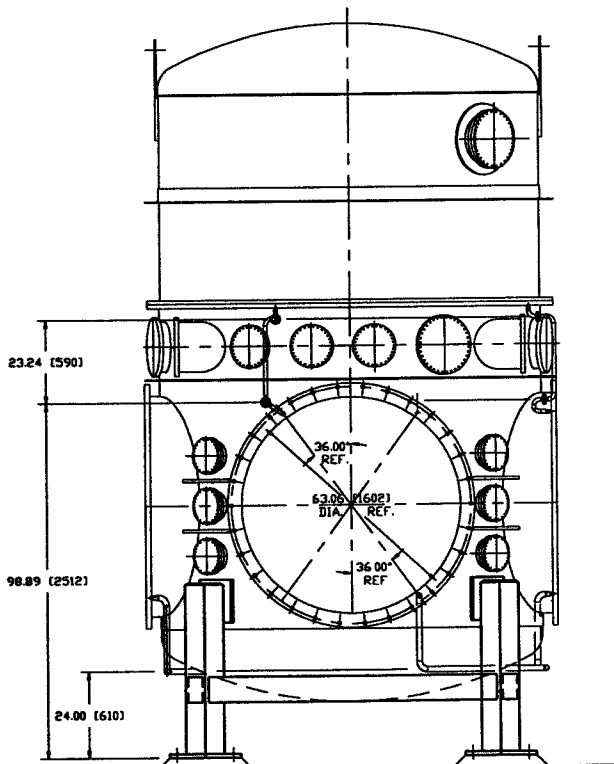
ANNULUS PIPING ASSEMBLY
SCALE: 1/2" = 1'-0"



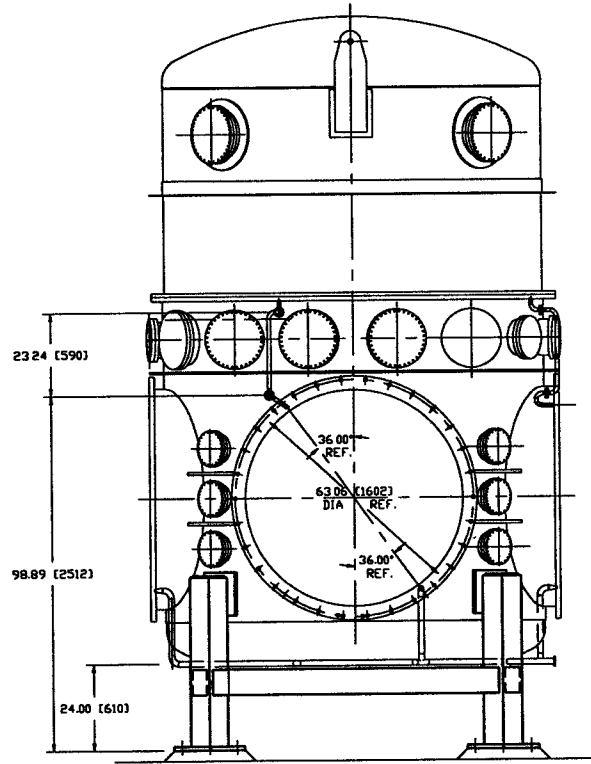
FLANGE ANNULUS PIPING
SCALE: 1/2" = 1'-0"



DETAIL 1
SCALE: 3" = 1'-0"

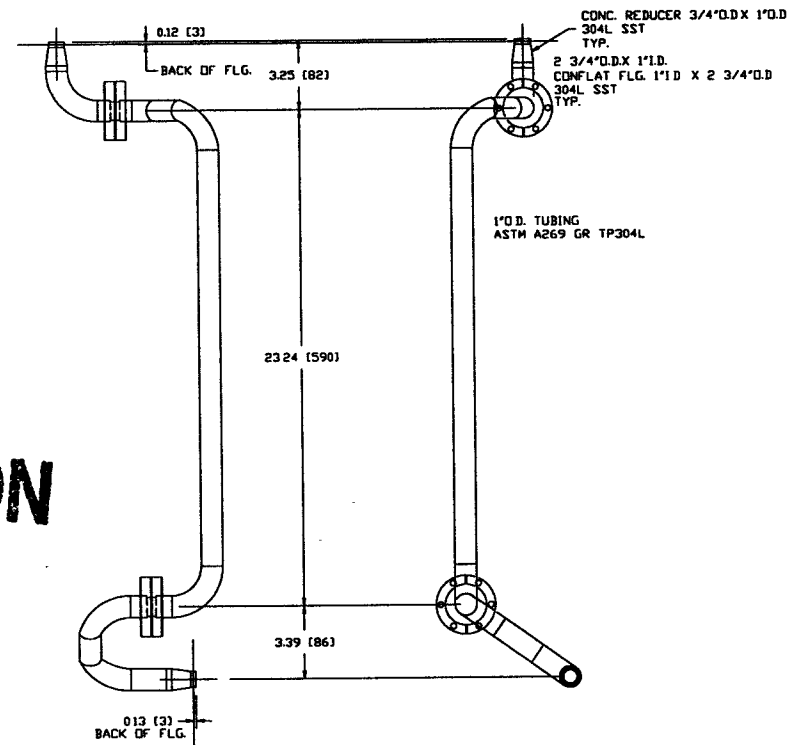


SECTION A-A
SCALE: 1/2" = 1'-0"



SECTION B-B
SCALE: 1/2" = 1'-0"

**NOT FOR
CONSTRUCTION**



Raymond D. Cratt, P.E.
5/6/96
LIGO D9161108-00-V

PROPRIETARY INFORMATION BELONGING TO PROCESS SYSTEMS INTERNATIONAL, INC. OR ITS AFFILIATED COMPANIES AND SHALL BE USED ONLY FOR THE PURPOSE FOR WHICH IT WAS SUPPLIED. IT SHALL NOT BE COPIED, REPRODUCED OR OTHERWISE USED, NOR SHALL SUCH INFORMATION BE FURNISHED IN WHOLE OR IN PART TO OTHERS EXCEPT IN ACCORDANCE WITH THE TERMS OF ANY AGREEMENT UNDER WHICH IT WAS SUPPLIED OR WITH THE PRIOR WRITTEN CONSENT OF PROCESS SYSTEMS INTERNATIONAL, INC. AND SHALL BE RETURNED UPON REQUEST.		UNLESS OTHERWISE SPECIFIED DIMENSIONS ARE IN INCHES TOLERANCES: FRACTIONAL ± 1/16" MINUS 0" DECIMAL ± 0.005" MINUS 0" TWO PLACE DECIMAL ± 0.01" THREE PLACE DECIMAL ± 0.005" FINISHED SURFACE TO BE BREAK CORNERS IN OUT REMOVE ALL BURRS		0 ISSUED FOR FDR GW 2/9/96 0150 GW 2/9/96 PI REV DESCRIPTION		PROCESS SYSTEMS INTERNATIONAL, INC. 20 WALKUP DR. WESTBOROUGH, MASSACHUSETTS 01581 USA BEAM SPLITTER CHAMBER (BSC) ANNULUS PIPING LIGO VACUUM EQUIPMENT CAD FILE V0494025 SIZE D DWG. NO. V049-4-025 REV. 0 SCALE: 1/2" = 1'-0" SHEET 1 OF 1					
DWG. NO.	DESCRIPTION	DWG. NO.	DESCRIPTION	USED ON	REV	DESCRIPTION	ISSUE DESCRIPTION	CHKD	DRVN	DATE	DED#
8	7	6	5	4	3	2	1				

May 06, 1996 - 10:21:25