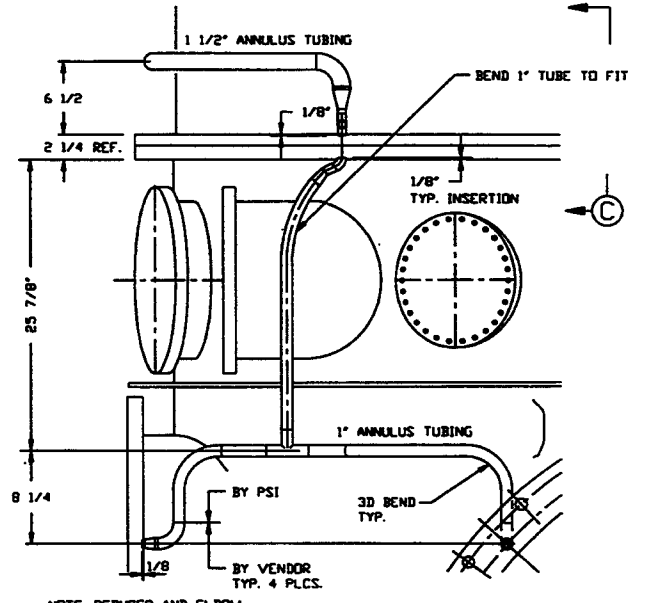
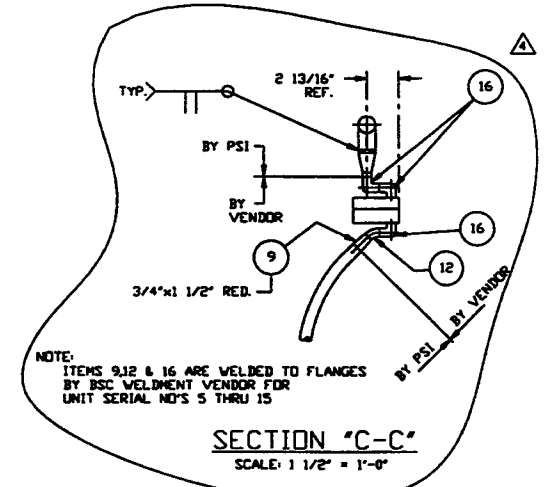
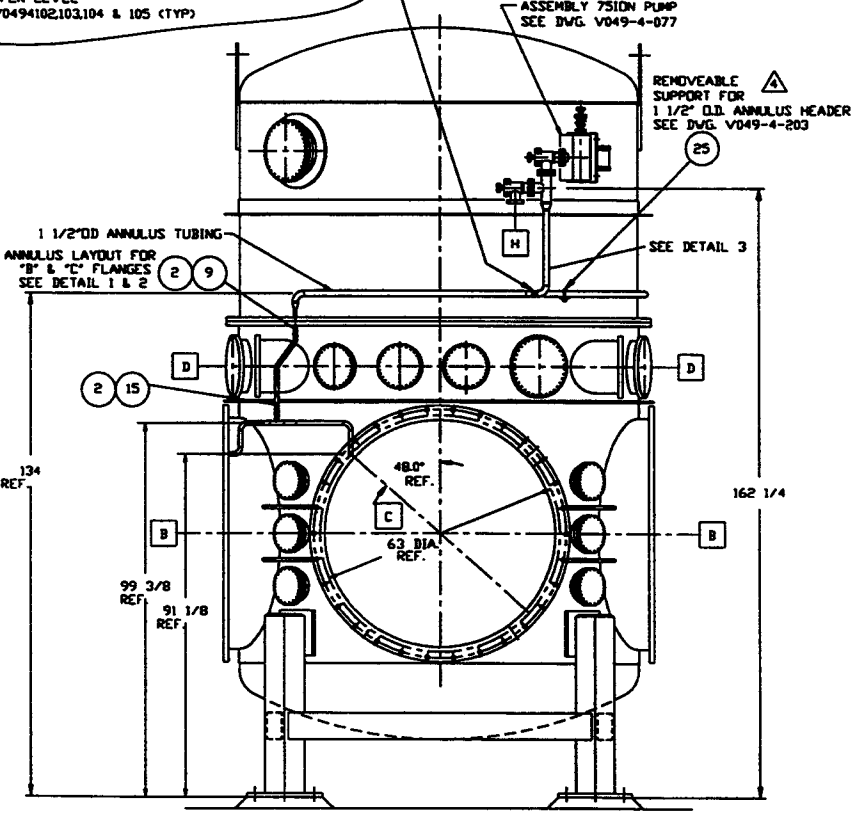
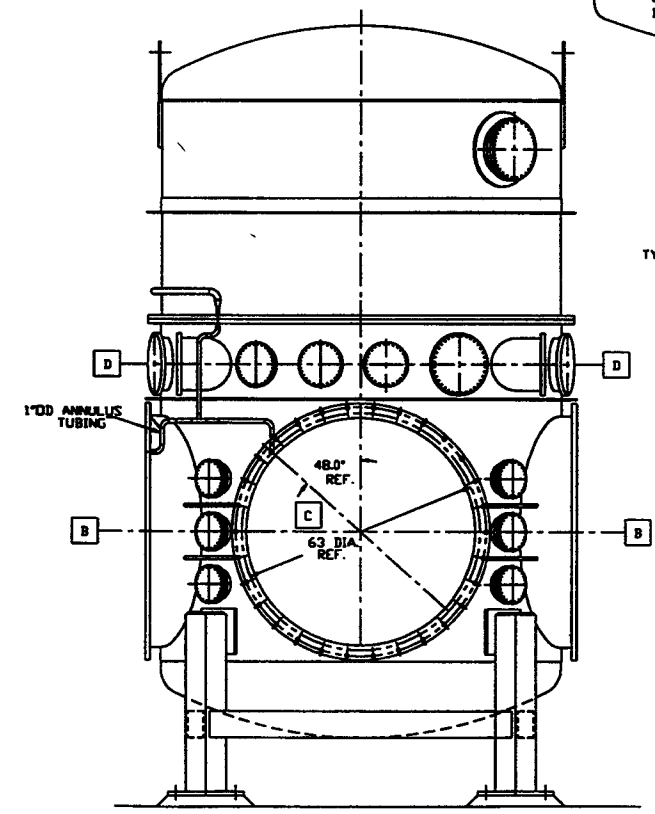


PLAN-75 ION PUMP ASSEMBLY @ CHAMBER FLANGES SCALE: 1/2" = 1'-0"
 PLAN-ANNULUS PIPING ASSEMBLY FOR 60 1/2" FLANGES SCALE: 1/2" = 1'-0"

NOTE: USE BENT TUBING WHERE APPLICABLE
 NOTE: FOR TESTING & SHIPPING USE 2 3/4" O.D. BLANK & HARDWARE SEE UPPER LEVEL BOMS V0494102, 103, 104 & 105 (TYP)



SECTION A-A SCALE: 1/2" = 1'-0"

SECTION B-B SCALE: 1/2" = 1'-0"

SECTION C-C SCALE: 1/2" = 1'-0"

DETAIL 2 SCALE: 1/2" = 1'-0"

PROPRIETARY AND CONFIDENTIAL THIS DOCUMENT CONTAINS PROPRIETARY INFORMATION BELONGING TO PROCESS SYSTEMS INTERNATIONAL, INC. OR ITS AFFILIATED COMPANIES AND SHALL BE USED ONLY FOR THE PURPOSE FOR WHICH IT WAS SUPPLIED. IT SHALL NOT BE COPIED, REPRODUCED OR OTHERWISE USED, NOR SHALL SUCH INFORMATION BE FURNISHED IN WHOLE OR IN PART TO OTHERS EXCEPT IN ACCORDANCE WITH THE TERMS OF ANY AGREEMENT UNDER WHICH IT WAS SUPPLIED OR WITH THE WRITTEN CONSENT OF PROCESS SYSTEMS INTERNATIONAL, INC. AND SHALL BE RETURNED UPON REQUEST.			
DWG. NO.	DESCRIPTION	REF. DWG. NO.	DESCRIPTION
D V049-4-122	BSC-75 ION PUMP SUPPORT		
D V049-4-077	BSC-75 L/S ION PUMP		
REFERENCE DRAWINGS			

UNLESS OTHERWISE SPECIFIED DIMENSIONS ARE IN INCHES TOLERANCES: FRACTIONAL ± J ANGULAR ± 30" BOMB ± 25" TYP. PLACE DECIMAL ± .015 FINISHED SURFACE DIM. DIMENSIONS IN REMOVE ALL BURRS
DO NOT SCALE THIS DRAWING
USED ON: NEXT ASS'Y: D V049-4-101

4	REISSUED FOR FAB PER RFC V049052	GS	PEF	DMV	RDC	REC	PV	4/4/97	0226
3	REISSUED FOR FABRICATION	GS	PEF	REB	RDC	REC	PV	1/28/97	0421
2	ISSUED FOR FABRICATION	GS	PEF	REB	RDC	REC	PV	10/28/96	0222
1	DESIGN UPDATE							6/21/96	0212
0	ISSUED FOR FAB							2/9/96	0150
P1								2/9/96	
REV	DESCRIPTION	CHKD	DRWN	DATE	DESN				
						ISSUE DESCRIPTION			

0442

PROCESS SYSTEMS INTERNATIONAL, INC.
 20 WALKUP DR. WESTBOROUGH, MASSACHUSETTS 01581 USA

BSC-ANNULUS TUBING ASSEMBLY

LIGO VACUUM EQUIPMENT

CAD FILE: V0494025
 SIZE: D
 DWG. NO.: V049-4-025
 REV: 4

SCALE: AS NOTED
 SHEET: 1 OF 1