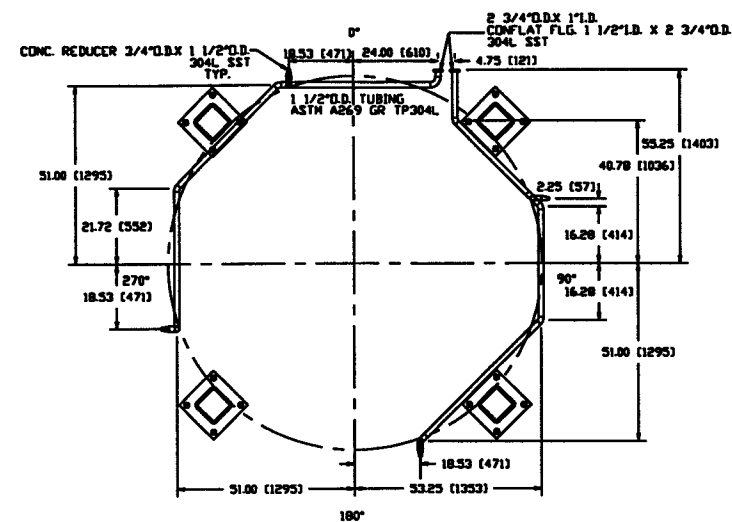
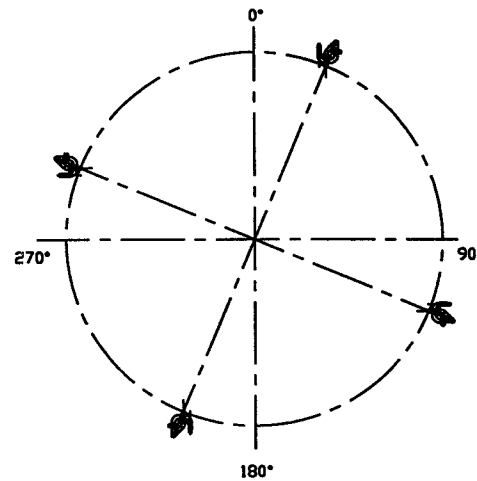


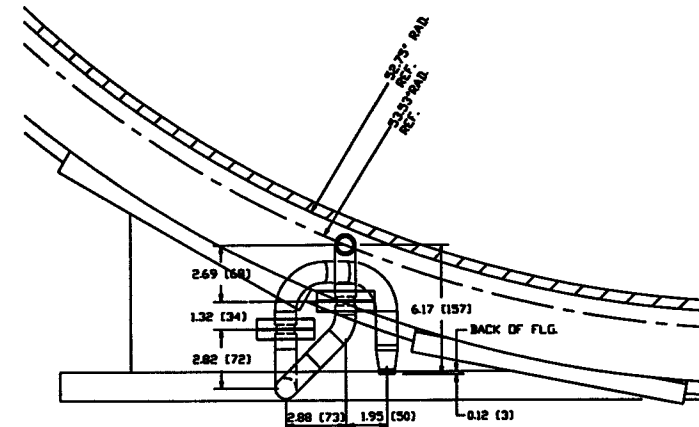
PLAN  
SCALE: 1/2" = 1'-0"



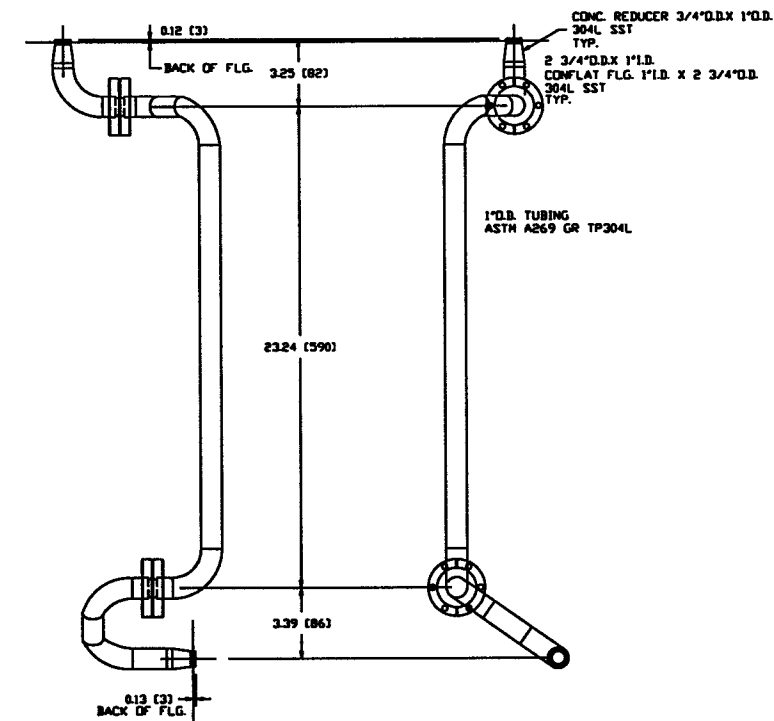
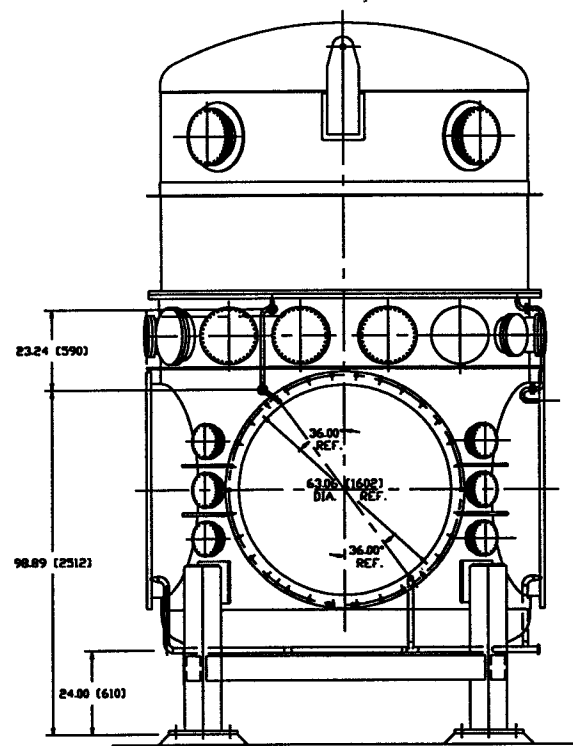
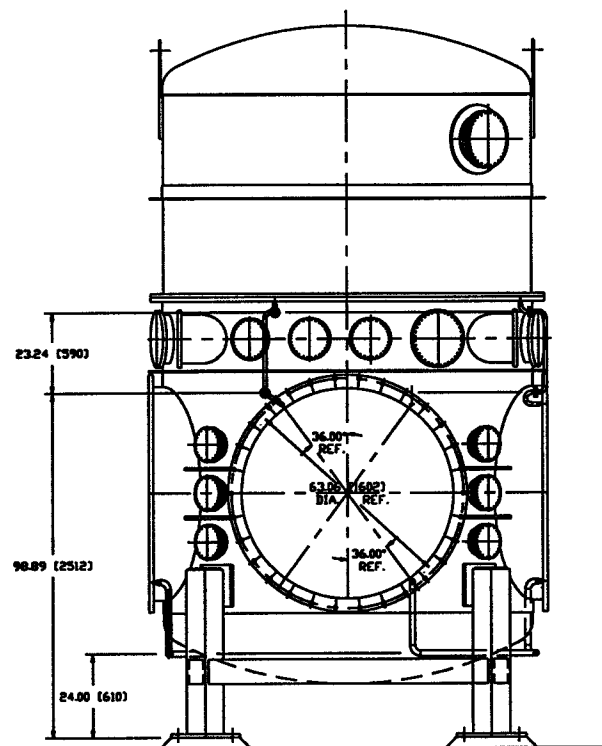
ANNULUS PIPING ASSEMBLY  
SCALE: 1/2" = 1'-0"



FLANGE ANNULUS PIPING  
SCALE: 1/2" = 1'-0"



DETAIL 1  
SCALE: 3" = 1'-0"



APR 30 1996

WISO-D961108-P1-Y

PROPRIETARY AND CONFIDENTIAL  
THIS DOCUMENT CONTAINS PROPRIETARY INFORMATION BELONGING TO PROCESS SYSTEMS INTERNATIONAL, INC. OR ITS AFFILIATED COMPANIES AND SHALL BE USED ONLY FOR THE PURPOSE FOR WHICH IT WAS SUPPLIED. IT SHALL NOT BE COPIED, REPRODUCED OR OTHERWISE USED, NOR SHALL SUCH INFORMATION BE FURNISHED IN WHOLE OR IN PART TO OTHERS EXCEPT BY AGREEMENT WITH THE WRITTEN CONSENT OF PROCESS SYSTEMS INTERNATIONAL, INC. AND SHALL BE RETURNED UPON REQUEST.

DWG. NO.	DESCRIPTION	DWG. NO.	DESCRIPTION

UNLESS OTHERWISE SPECIFIED DIMENSIONS ARE IN INCHES TOLERANCES: FRACTIONAL: ± ANGULAR: ± 30" BEND: ± TWO PLACE DECIMAL: ± .005 FINISHED SURFACE AND BREAK CORING BY OUR REMOVE ALL BURRS

REV	DESCRIPTION	CHKD	DRWN	DATE	DESB
P1	PRELIMINARY DESIGN UPDATE		GV	3/8/96	

PROCESS SYSTEMS INTERNATIONAL, INC.  
30 BALUUP DR. WESTBOROUGH, MASSACHUSETTS 01581 USA

BEAM SPLITTER CHAMBER (BSC)  
LIGO VACUUM EQUIPMENT  
ANNULUS PIPING ARRANGEMENT

CAD FILE: ANNULP1  
SIZE: D  
DWG. NO.: V049-4-025  
SHEET: 1 OF 1