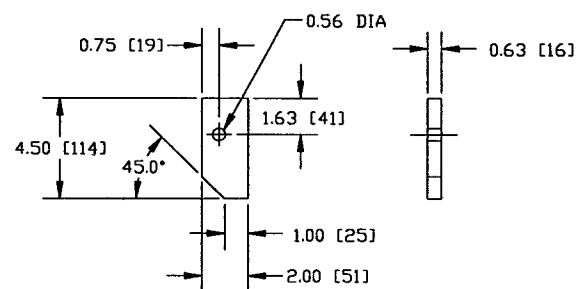


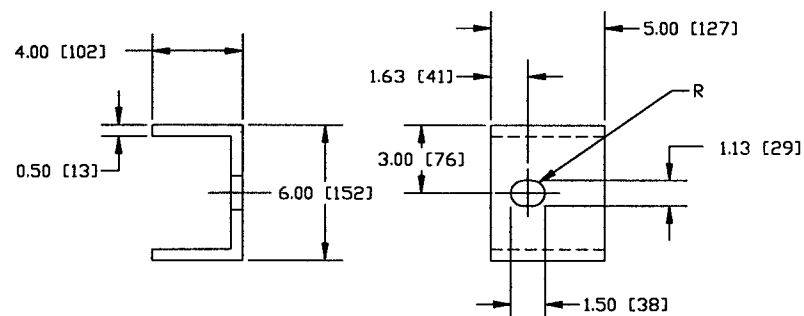
DETAIL "4"

SCALE: HALF  
MAT'L: A320 B8



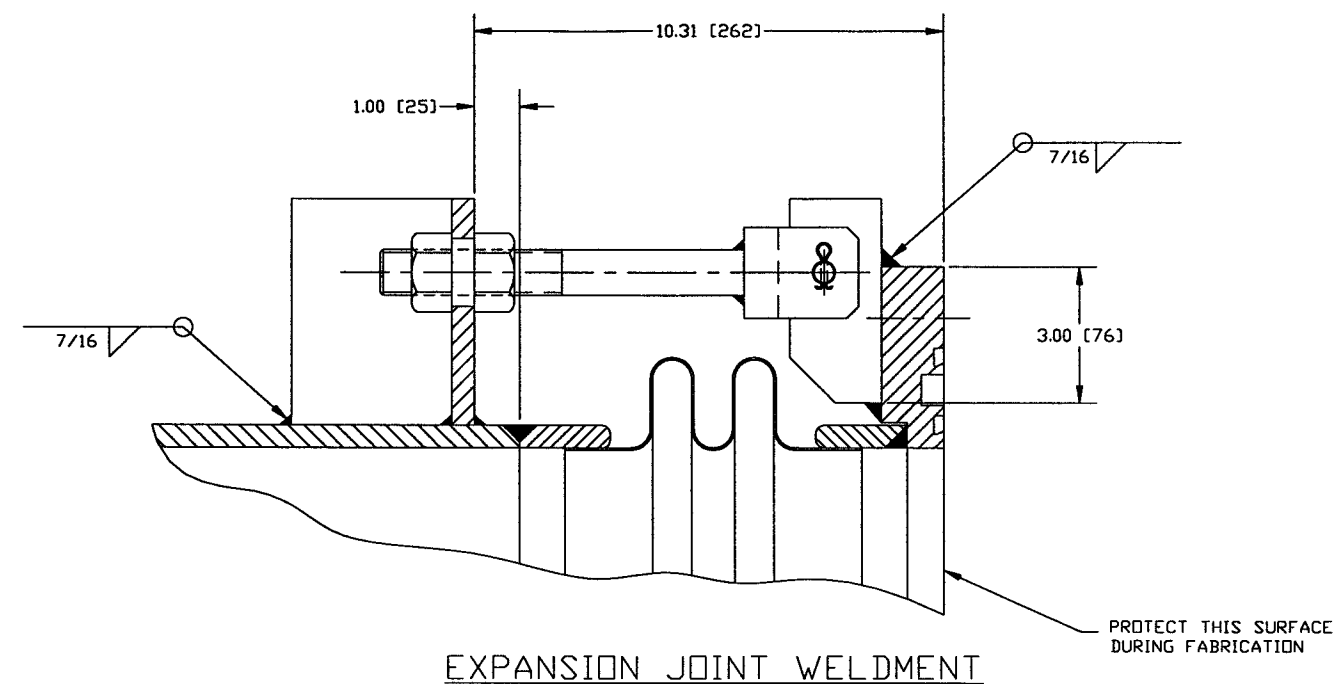
DETAIL "2"

SCALE: QUARTER  
MAT'L: A240 TP 304 SST

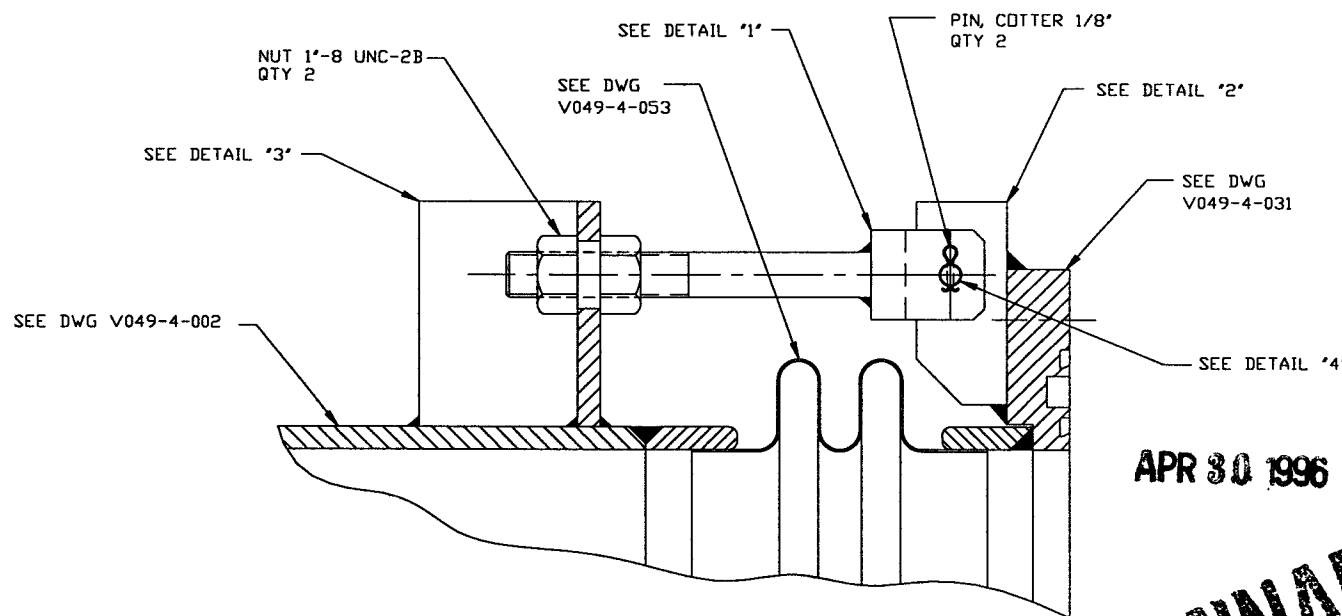


DETAIL "3"

SCALE: QUARTER  
MAT'L: A240 TP 304 SST



EXPANSION JOINT WELDMENT

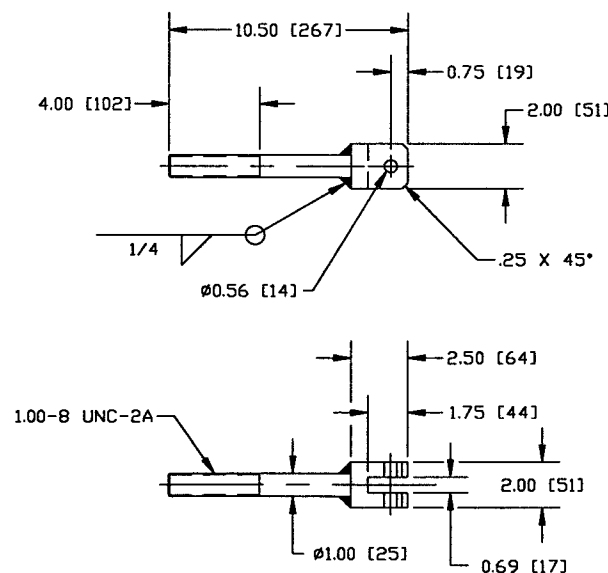


SECTION "A"-"A"

SCALE: HALF  
QTY: 4

APR 30 1996

**PRELIMINARY**  
LIGO-D961116-P1-V



DETAIL "1"

SCALE: QUARTER  
MAT'L: A240 TP 304 SST

<p>PROPRIETARY AND CONFIDENTIAL</p> <p>THIS DOCUMENT CONTAINS PROPRIETARY INFORMATION BELONGING TO PROCESS SYSTEMS INTERNATIONAL, INC. OR ITS AFFILIATED COMPANIES AND SHALL BE USED ONLY FOR THE PURPOSE FOR WHICH IT WAS SUPPLIED. IT SHALL NOT BE COPIED, REPRODUCED OR OTHERWISE USED, NOR SHALL SUCH INFORMATION BE FURNISHED IN WHOLE OR IN PART TO OTHERS EXCEPT IN ACCORDANCE WITH THE TERMS OF ANY AGREEMENT UNDER WHICH IT WAS SUPPLIED OR WITH THE PRIOR WRITTEN CONSENT OF PROCESS SYSTEMS INTERNATIONAL, INC. AND SHALL BE RETURNED UPON REQUEST.</p>				<p>UNLESS OTHERWISE SPECIFIED DIMENSIONS ARE IN INCHES</p> <p>TOLERANCES:</p> <p>FUNCTIONAL ±</p> <p>ANGULARMACH 40°-30° BEND ±2°</p> <p>TWO PLACE DECIMAL ± .01</p> <p>THREE PLACE DECIMAL ± .005</p> <p>FINISHED SURFACE RNS</p> <p>BREAK CORNERS IN OUT-</p> <p>REMOVE ALL BURRS</p>				<p>DO NOT SCALE THIS DRAWING</p> <p>USED ON:</p> <p>NEXT ASSY:</p>				<p>PI RELEASE FOR QUOTE</p> <p>REV DESCRIPTION</p> <p>CHKD DRWN DATE DEOR</p>				<p>PROCESS SYSTEMS INTERNATIONAL, INC.</p> <p>20 WALKUP DR. WESTBOROUGH, MASSACHUSETTS 01581 USA</p> <p>HAM BELLOWS TIE ROD ASSY</p> <p>HORIZONTAL ACCESS MODULE (HAM)</p> <p>LIGO VACUUM EQUIPMENT</p>			
DWG NO	DESCRIPTION	DWG. NO.	DESCRIPTION	REV	DESCRIPTION	CHKD	DRWN	DATE	DEOR	CAD FILE	SIZE	DWG. NO.	REV.						
								04/02/96	0098	V0494040	D	V049-4-040	P1						
REFERENCE DRAWINGS										SCALE	AS NOTED	SHEET	1 OF 1						