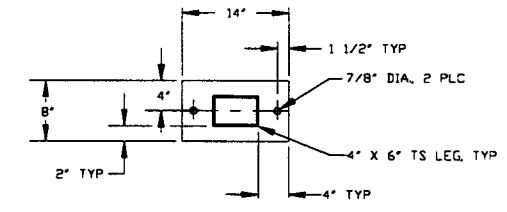
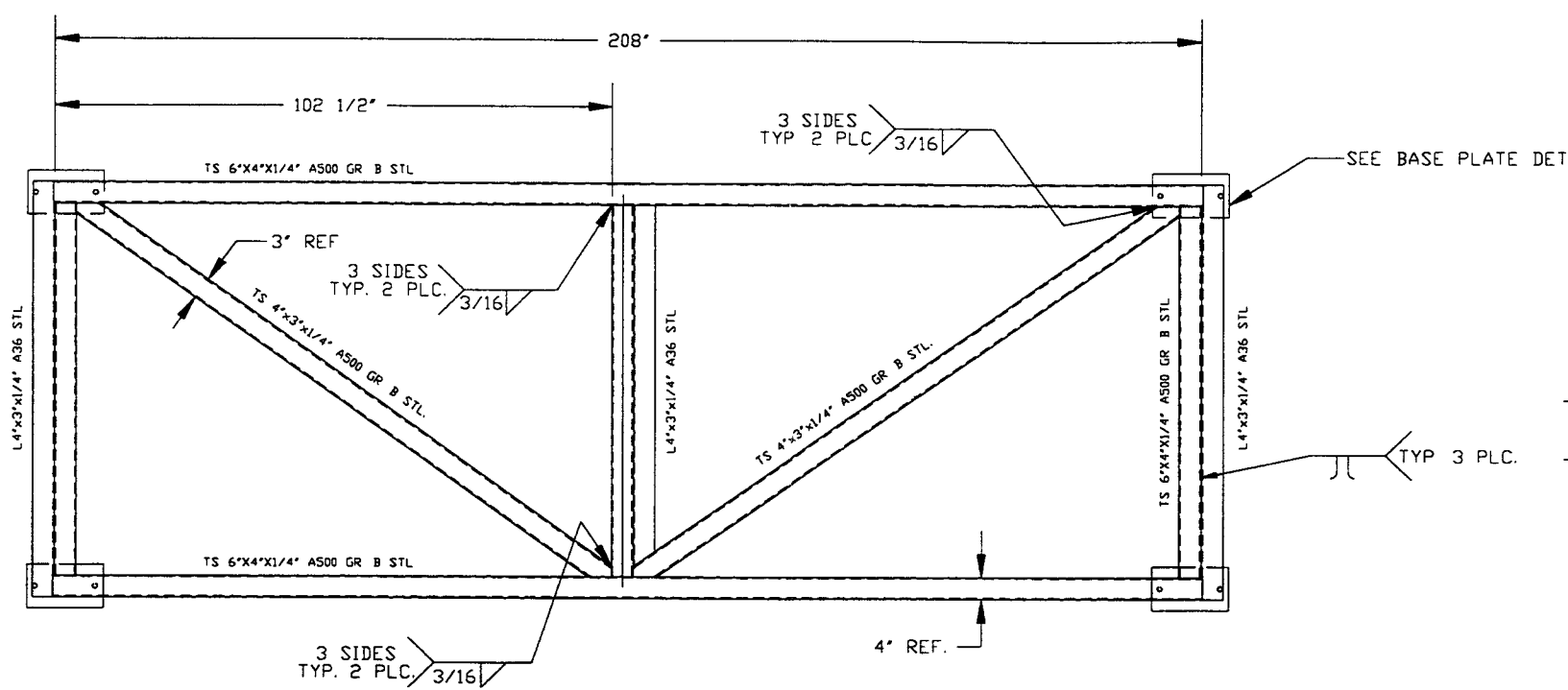
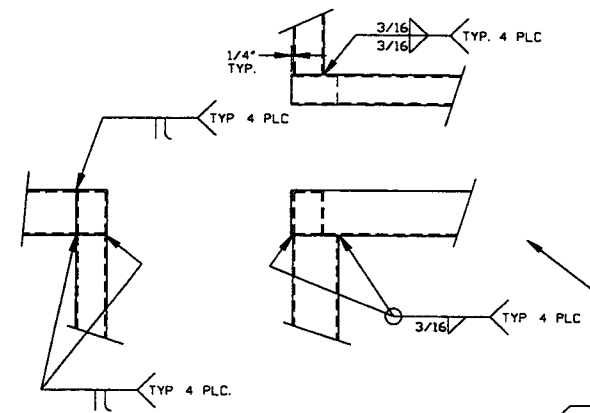


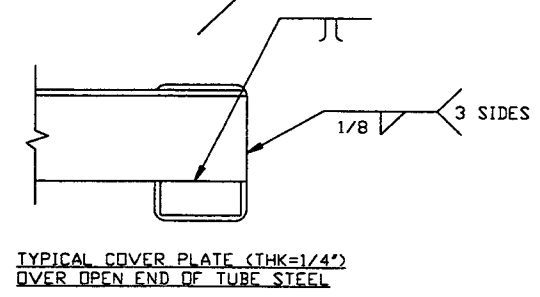
STATE OF LOUISIANA
 REGISTERED PROFESSIONAL ENGINEER
 IN CIVIL ENGINEERING
 Raymond D. Ciatto
 4/5/97



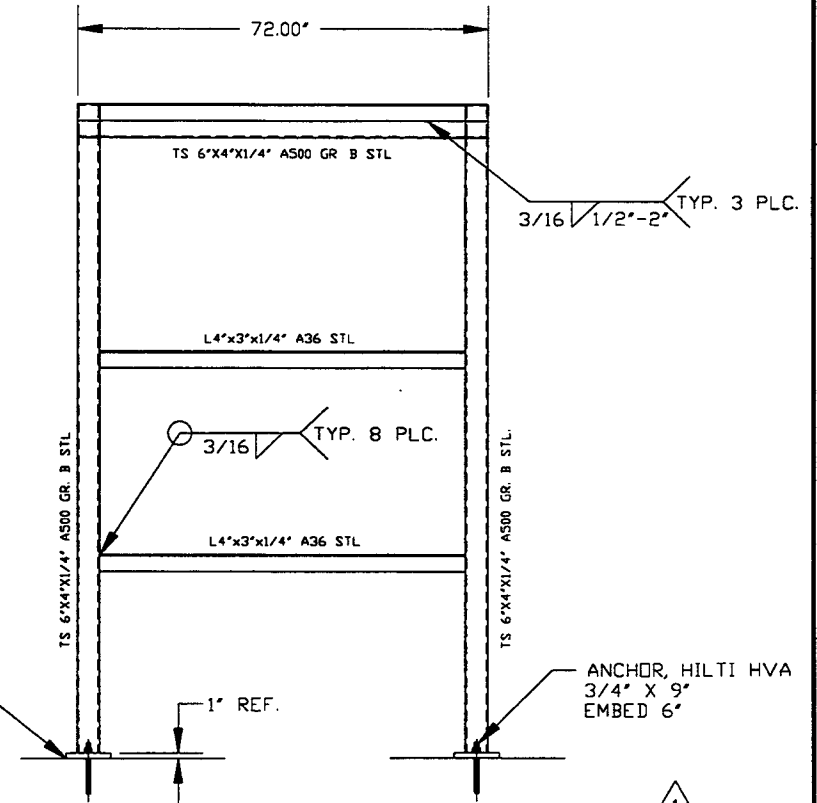
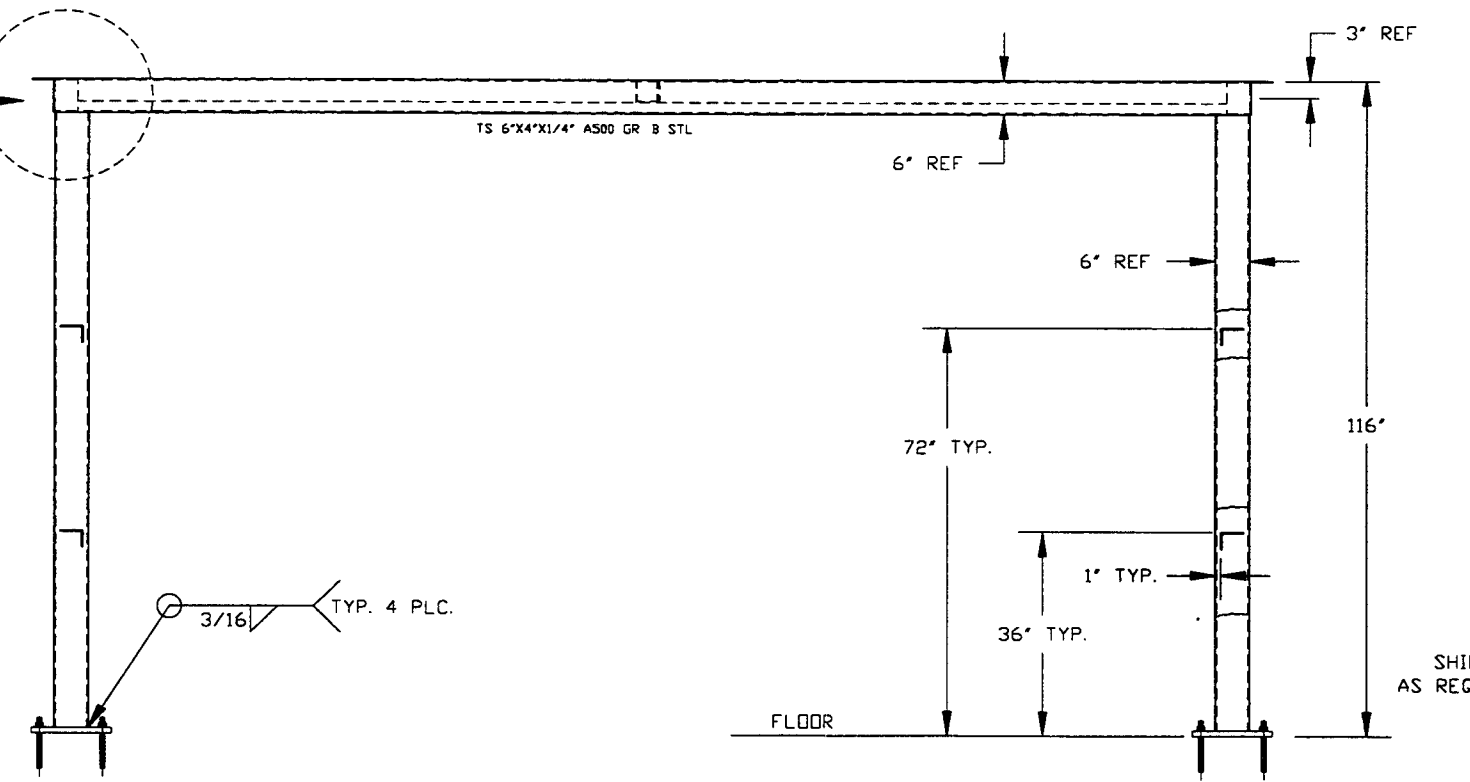
BASE PLATE DETAIL
 SCALE = 1" = 1'-0"
 QTY. = 4 REQ
 MAT'L = 1" X 14" X 8" A36 STL PL



WELDING DETAIL
 SCALE = 1" = 1'-0"



TYPICAL COVER PLATE (THK=1/4")
 OVER OPEN END OF TUBE STEEL



NOTES:
 1) PAINT PER P.S.I. SPEC V049-2-077

WEIGHT: 1,900 LBS

PROPRIETARY AND CONFIDENTIAL THIS DOCUMENT CONTAINS PROPRIETARY INFORMATION BELONGING TO PROCESS SYSTEMS INTERNATIONAL, INC. OR ITS AFFILIATED COMPANIES AND SHALL BE USED ONLY FOR THE PURPOSE FOR WHICH IT WAS SUPPLIED. IT SHALL NOT BE COPIED, REPRODUCED OR OTHERWISE USED, NOR SHALL SUCH INFORMATION BE FURNISHED IN WHOLE OR IN PART TO OTHERS EXCEPT IN ACCORDANCE WITH THE TERMS OF ANY AGREEMENT UNDER WHICH IT WAS SUPPLIED OR WITH THE PRIOR WRITTEN CONSENT OF PROCESS SYSTEMS INTERNATIONAL, INC. AND SHALL BE RETURNED UPON REQUEST.				UNLESS OTHERWISE SPECIFIED DIMENSIONS ARE IN INCHES TOLERANCES: FRACTIONAL = ANGULAR/ARCH 10°-30° BEND ±2° TWO PLACE DECIMAL = .01 THREE PLACE DECIMAL = .005 FINISHED SURFACE RUG BREAK CORNERS IN REMOVE ALL BURRS				PROCESS SYSTEMS INTERNATIONAL INC. 20 WALKUP DR. WESTBOROUGH, MASSACHUSETTS 01581 USA					
DO NOT SCALE THIS DRAWING				1 ISSUED FOR FDR UPDATE & FABRICATION 0 ISSUED FOR FDR				PV 1/2/97 0356 DA 4/30/96 0150					
USED ON:				REV DESCRIPTION				CHKD DRWN DATE DED#					
NEXT ASS'Y:				ISSUE DESCRIPTION				SCALE 3/4"=1'-0" SHEET 1 OF 1					
DWG NO	DESCRIPTION	DWG NO	DESCRIPTION	DWG NO	DESCRIPTION	DWG NO	DESCRIPTION	DWG NO	DESCRIPTION	DWG NO	DESCRIPTION	DWG NO	DESCRIPTION
8		7	REFERENCE DRAWINGS	6		5		4		3		2	

LIGO-D961118-01-V