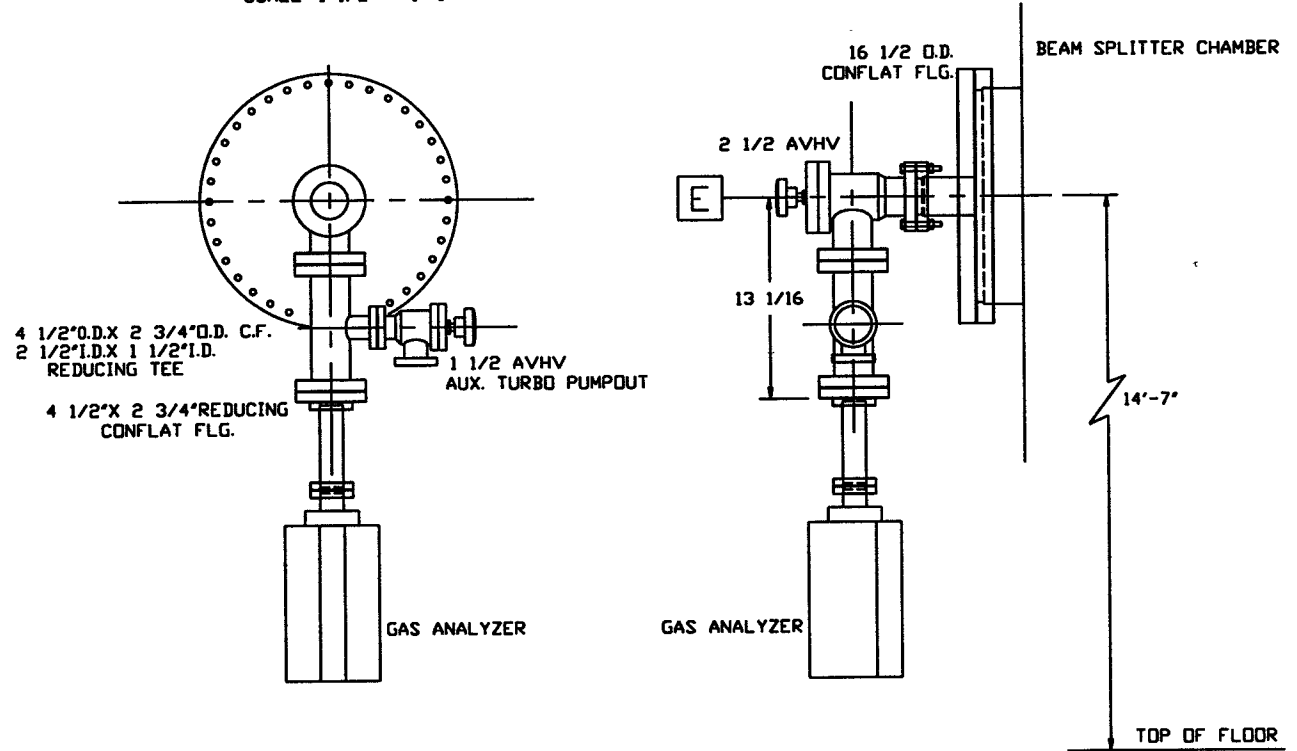


PLAN - BSC GAS ANALYZER
SCALE: 1 1/2" = 1'-0"



**NOT FOR
CONSTRUCTION**

Raymond D. Leather, PE
5/6/96

PROPRIETARY AND CONFIDENTIAL
THIS DRAWING CONTAINS PROPRIETARY INFORMATION BELONGING TO PROCESS SYSTEMS INTERNATIONAL, INC. OR ITS AFFILIATED COMPANIES AND SHALL BE USED ONLY FOR THE PURPOSE FOR WHICH IT WAS SUPPLIED. IT SHALL NOT BE COPIED, REPRODUCED OR OTHERWISE USED, NOR SHALL SUCH INFORMATION BE FURNISHED IN WHOLE OR IN PART TO OTHERS EXCEPT IN ACCORDANCE WITH THE TERMS OF ANY AGREEMENT UNDER WHICH IT WAS SUPPLIED OR WITH THE PRIOR WRITTEN CONSENT OF PROCESS SYSTEMS INTERNATIONAL, INC. AND SHALL BE RETURNED UPON REQUEST.

UNLESS OTHERWISE SPECIFIED
DIMENSIONS ARE IN INCHES
TOLERANCES:
FRACTIONAL &
DECIMAL DIMENSIONS UP TO .39" .0015"
TWO PLACE DECIMAL .005"
THREE PLACE DECIMAL .002"
FINISHED SURFACE SHE
BREAK CORNERS .015" DIA
REMOVE ALL BURRS
DO NOT SCALE THIS DWG.
USED ON:
NEXT ASSY:

| REV. | DESCRIPTION | ISSUE DESCRIPTION | CHKD | DRAWN | DATE | DED |
|------|----------------|-------------------|-----------|-------|---------|------|
| 0 | ISSUED FOR FDR | | D. Leathe | GV | 4/23/96 | 0150 |

| | | | |
|---|-----------|------------------------|-----------|
| PROCESS SYSTEMS INTERNATIONAL, INC. 30 WALRUP DR. WESTBOROUGH, MASSACHUSETTS 01581 USA | | | |
| RGA/AUX. TURBO CONN. ASSY. BSC LIGO VACUUM EQUIPMENT | | | |
| CAD FILE V0494045 | SIZE C | DWG. NO. V049-4-045 | REV. 0 |
| SCALE 1 1/2" = 1'-0" | | SHEET 1 OF 1 | |

LIGO 10961119-100-V

Apr 29, 1996 - 1110131