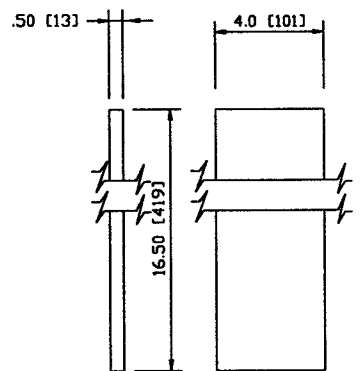
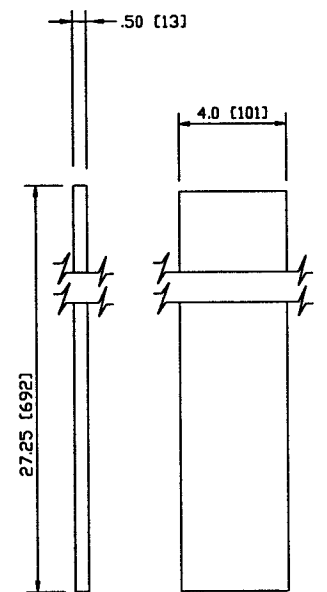


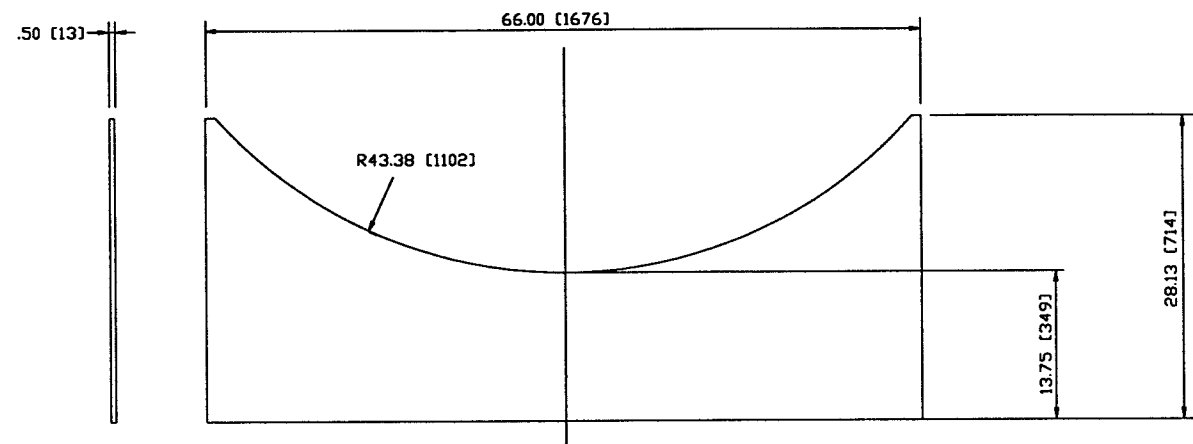
ITEM 1C-DETAIL 3  
MAT'L: A36 C.S.  
SCALE: NONE  
QTY: 1



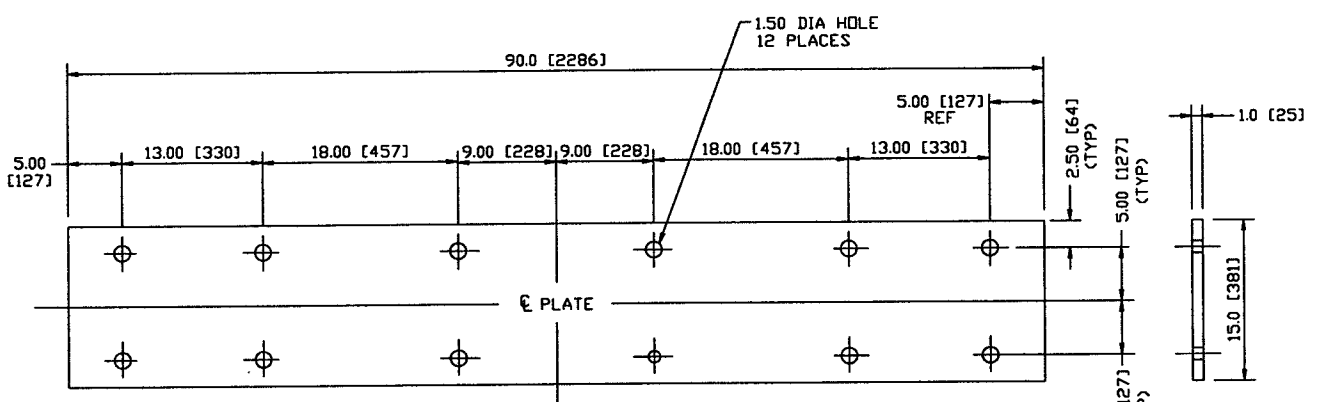
ITEM 1B-DETAIL 2  
MAT'L: A36 C.S.  
SCALE: NONE  
QTY: 2



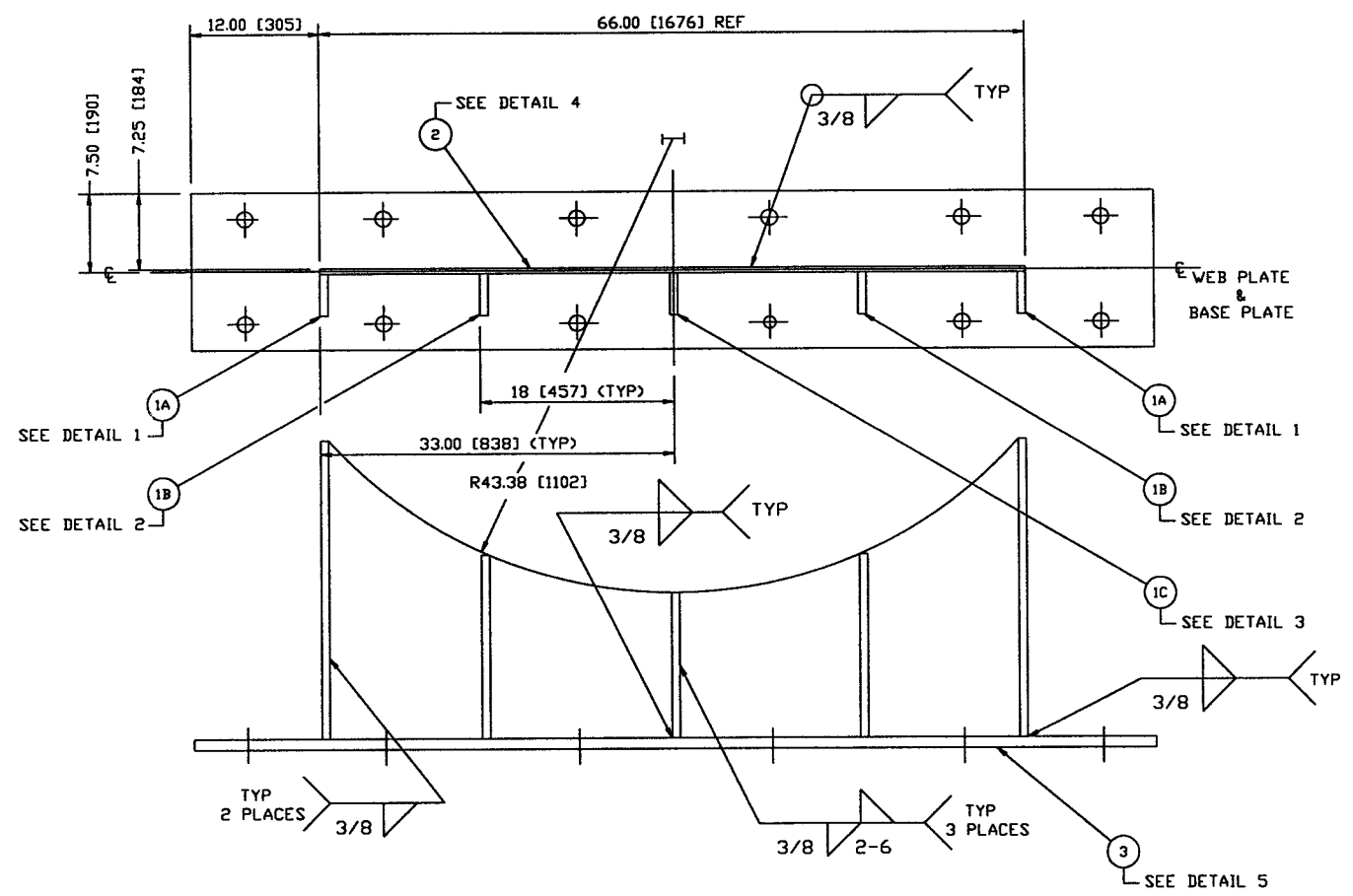
ITEM 1A-DETAIL 1  
MAT'L: A36 C.S.  
SCALE: NONE  
QTY: 2



ITEM 2-DETAIL 4  
MAT'L: A36 C.S.  
SCALE: 4X  
QTY: 1



ITEM 3-DETAIL 5  
MAT'L: A36 C.S.  
SCALE: 4X  
QTY: 2



WELDED BASE PLATE SUB-ASSY  
SCALE: 4X  
QTY: 1

**NOT FOR CONSTRUCTION**

*Raymond D. Liato, PE* 2-REQ'D PER HAM  
5/6/96 LIGO 0961121-00-V

<p>UNLESS OTHERWISE SPECIFIED DIMENSIONS ARE IN INCHES TOLERANCES: FRACTIONAL: ± .005 DECIMAL: ± .01 HOLE: ± .015 ANGULAR: ± .5° SURFACE: AS SUPPLIED BREAK CORNERS: R4 REMOVE ALL BURRS</p>				<p>0 ISSUED FOR FDR PI PRELIMINARY</p>				<p>DA 4/10/96 MA 03/23/96</p>				<p>PROCESS SYSTEMS INTERNATIONAL INC. 30 WALKUP DR. WESTBOROUGH, MASSACHUSETTS 01581 USA</p>			
<p>DO NOT SCALE THIS DRAWING USED ON: NEXT ASS'Y:</p>				<p>REV DESCRIPTION</p>				<p>CHKD DRWN DATE DEC'D</p>				<p>HORIZONTAL ACCESS MODULE (HAM) VESSEL SUPPORT LIGO VACUUM EQUIPMENT</p>			
<p>8</p>				<p>7</p>				<p>6</p>				<p>5</p>			
<p>REFERENCE DRAWINGS</p>				<p>4</p>				<p>3</p>				<p>2</p>			
<p>DWG. NO. DESCRIPTION</p>				<p>1</p>				<p>SCALE AS NOTED SHEET 1 OF 1</p>							

APR 10, 1996 - 130719