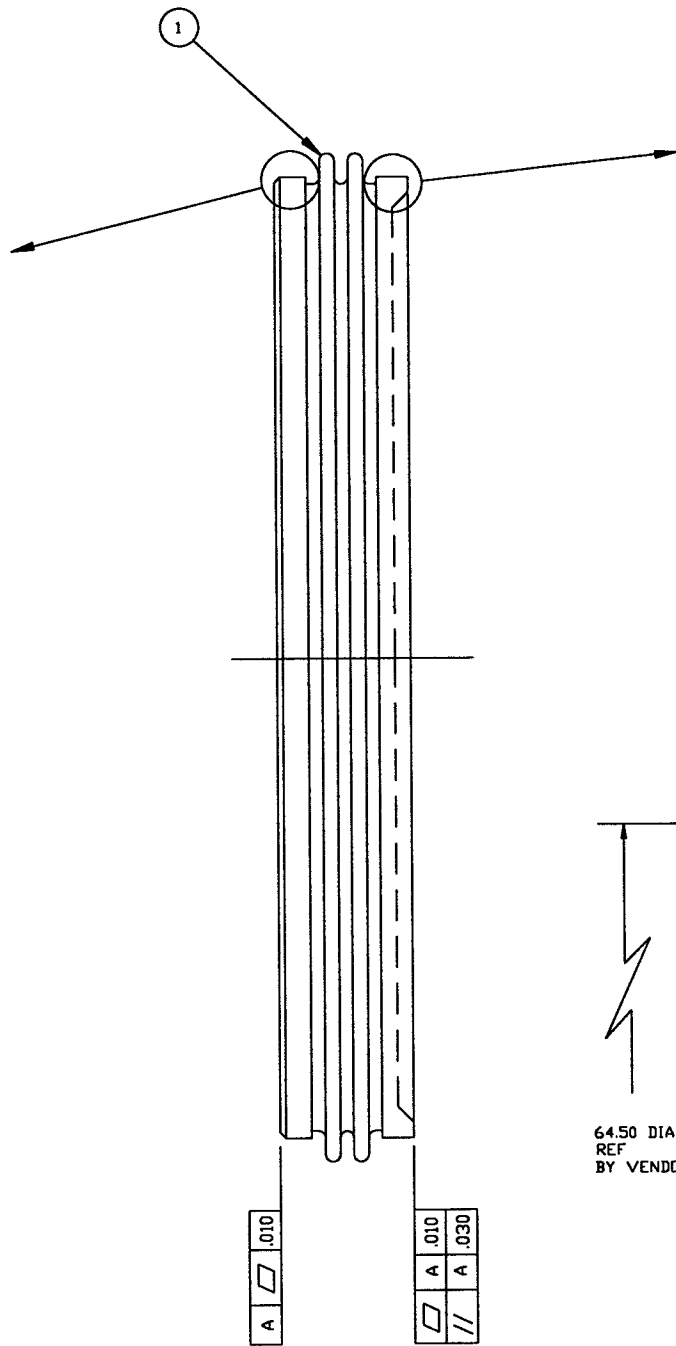
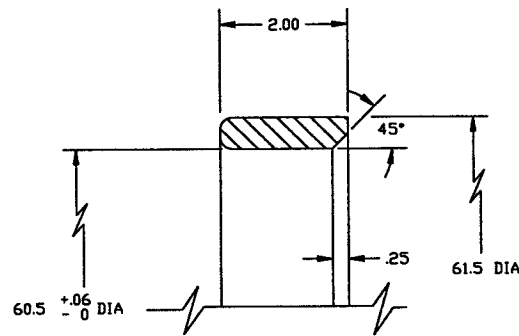


SCALE: 1/2x

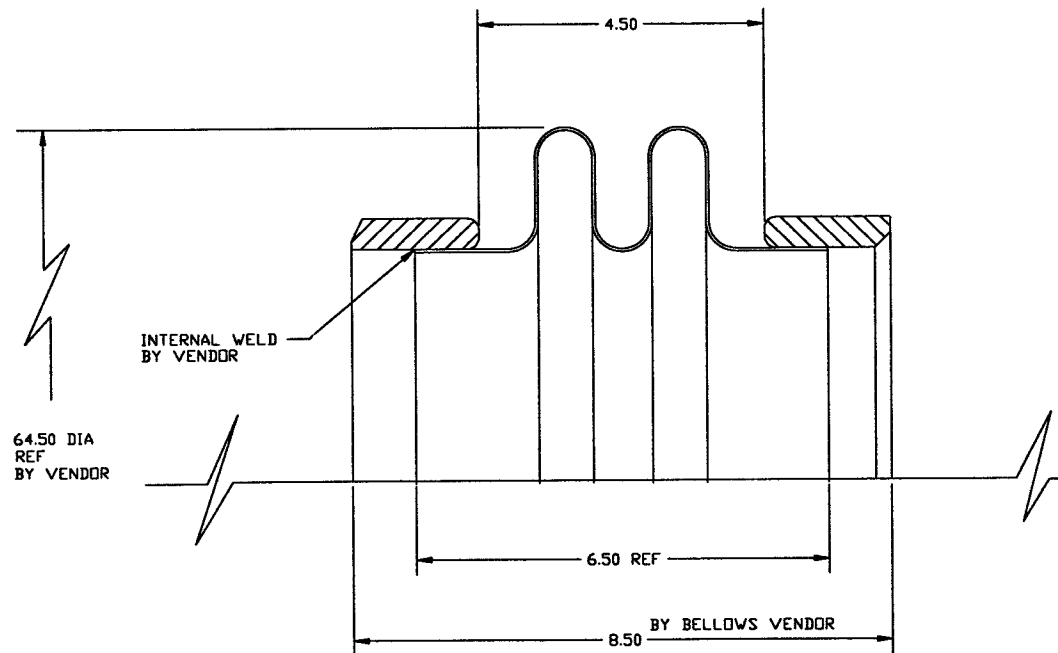


A .010

A .010
A .030



SCALE: 1/2x



SCALE: 1/2x

Raymond D. Keith, PE
5/6/96
LIGD 096112200V

MANUFACTURE PER SPEC. V049-2-017 BELLOWS EXPANSION JOINTS

THIS DRAWING CONTAINS PROPRIETARY INFORMATION BELONGING TO PROCESS SYSTEMS INTERNATIONAL, INC. OR ITS AFFILIATED COMPANIES AND SHALL BE USED ONLY FOR THE PURPOSE FOR WHICH IT WAS SUPPLIED. IT SHALL NOT BE COPIED, REPRODUCED OR OTHERWISE USED, NOR SHALL SUCH INFORMATION BE FURNISHED IN WHOLE OR IN PART TO OTHERS EXCEPT IN ACCORDANCE WITH THE TERMS OF ANY AGREEMENT UNDER WHICH IT WAS SUPPLIED OR WITH THE PRIOR WRITTEN CONSENT OF PROCESS SYSTEMS INTERNATIONAL, INC. AND SHALL BE RETURNED UPON REQUEST.	UNLESS OTHERWISE SPECIFIED DIMENSIONS ARE IN INCHES TOLERANCES: FRACTIONAL ± ANGULAR DIMS 15°-30° BEND ±2° TWO PLACE DECIMAL ± .005 THREE PLACE DECIMAL ± .005 FINISHED SURFACE RING BREAK CORNERS IN OUT REMOVE ALL BURRS	0 ISSUED FOR FDR/PURCHASE P1 RELEASED FOR QUOTES	MA 04/30/96 0150 DA 3/28/96 0098	CAD FILE V0494053 SCALE 1/8 & NOTED	SIZE C SHEET 1	DWG. NO. V049-4-053 REV. 0
	DWG. NO. REFERENCE DRAWINGS NEXT ASS'Y:	REV. DESCRIPTION ISSUE DESCRIPTION	CHKD DRAWN DATE DEC	SCALE 1/8 & NOTED	SHEET 1	REV. 0

Mar 27, 1996 - 14:28:10