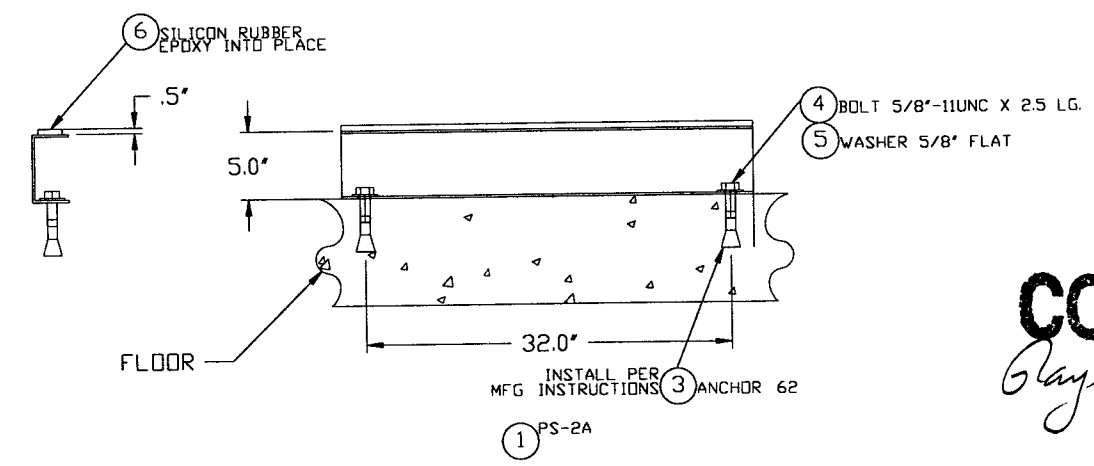
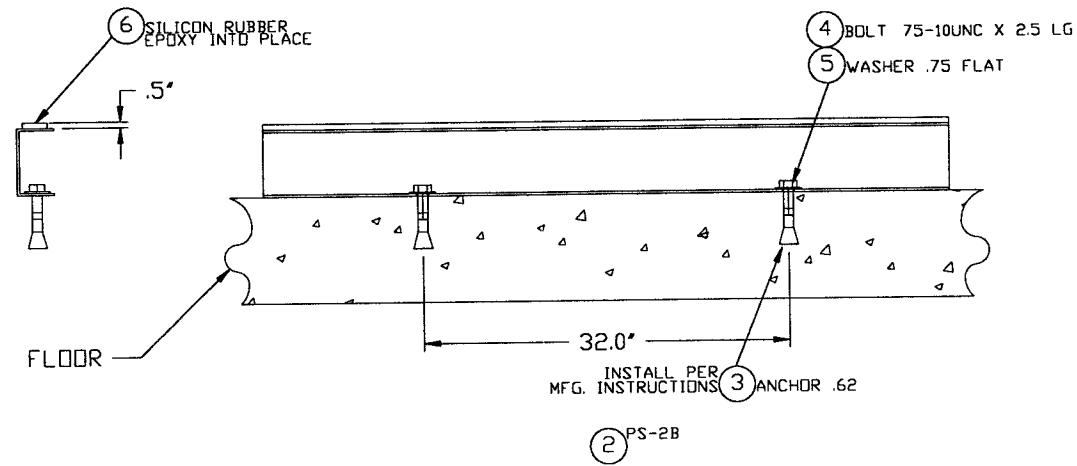
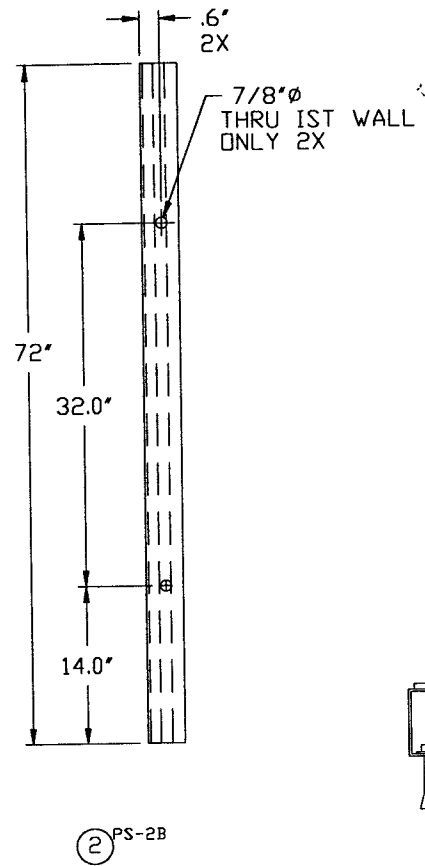
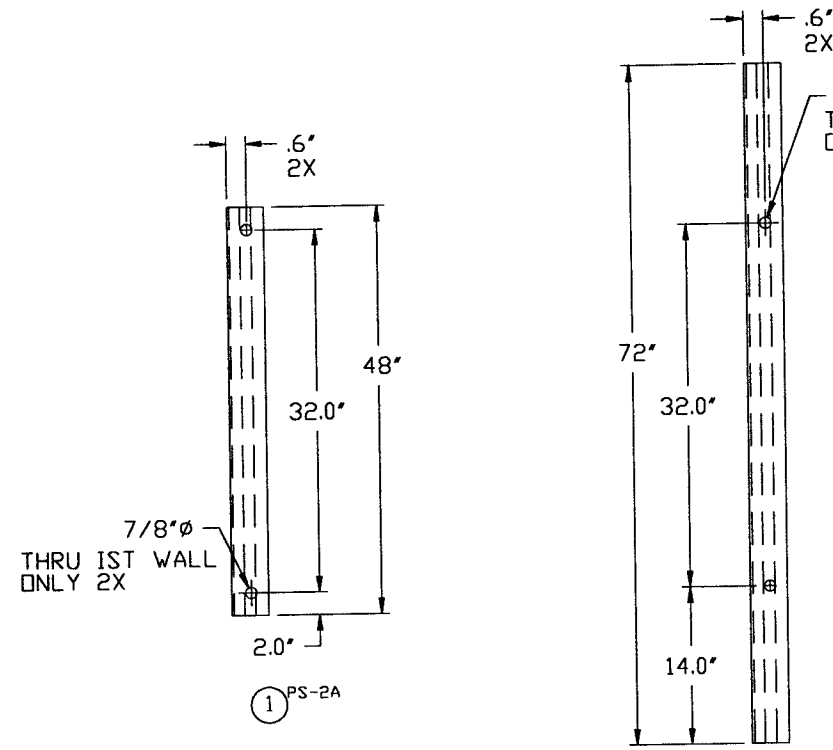


ITEM	PART NUMBER	SUFFIX	QTY	UM	DESCRIPTION
1	PS-2A	3	4 FT		5' X 2' X .18" THK SHARP CORNER CHANNEL, AL 6063-T52
2	PS-2B	3	6 FT		5' X 2' .18" THK SHARP CORNER CHANNEL AL 6063-T52
3		3	AR		ANCHOR BOLT, HILTI 5/8" X 5" LG.
4		3	AR		BOLT 5/8" X 3" LG. C.S. NICKEL PLT.
5		3	AR		WASHER, .62 FLAT 304 SST.
6		3	AR		RUBBER, SILICON .5' X 2' X 36" & 60" LG.
7		3	AR		EPOXY



**NOT FOR CONSTRUCTION**

*Raymond D. Walter*  
5/6/96  
LIGO D961134-00-V

<b>PROPRIETARY AND CONFIDENTIAL</b> THIS DRAWING CONTAINS PROPRIETARY INFORMATION BELONGING TO PROCESS SYSTEMS INTERNATIONAL, INC. OR ITS AFFILIATED COMPANIES AND SHALL BE USED ONLY FOR THE PURPOSE FOR WHICH IT WAS SUPPLIED. IT SHALL NOT BE COPIED, REPRODUCED OR OTHERWISE USED, NOR SHALL SUCH INFORMATION BE FURNISHED IN WHOLE OR IN PART TO OTHERS EXCEPT IN ACCORDANCE WITH THE TERMS OF ANY AGREEMENT UNDER WHICH IT WAS SUPPLIED OR WITH THE PRIOR WRITTEN CONSENT OF PROCESS SYSTEMS INTERNATIONAL, INC. AND SHALL BE RETURNED UPON REQUEST.		<b>UNLESS OTHERWISE SPECIFIED</b> DIMENSIONS ARE IN INCHES TOLERANCES: FRACTIONAL ± 1/16" ANGULAR ± 10°-30° BEND ± 2° TWO PLACE DECIMAL ± .010 THREE PLACE DECIMAL ± .005 FINISHED SURFACE RMS 6.3 BREAK CORNERS: IN-.005 OUT .005 REMOVE ALL BURRS								<b>PROCESS SYSTEMS INTERNATIONAL, INC.</b> 20 WALKUP DR. WESTBOROUGH, MASSACHUSETTS 01581 USA	
DO NOT SCALE THIS DWG		0 ISSUED FOR FDR		<i>DHW/KES</i>		TOV		4-30-96		0150	
DWG NO.		REV.		DESCRIPTION		CHKD		DRAWN		DATE	
REFERENCE DRAWINGS		NEXT ASS'Y		ISSUE DESCRIPTION		SCALE		AS NOTED		SHEET	
7		6		5		4		3		2	
8		7		6		5		4		3	
PS-2 PIPE SUPPORT 4' & 6' SPAN LIGO VACUUM EQUIPMENT		CAD FILE V0494073		SIZE C		DWG NO. V049-4-073		REV. 0		SCALE AS NOTED	
SHEET		1 OF 1		DATE		DEC		0150		0	

May 05, 1996 - 08:46:12