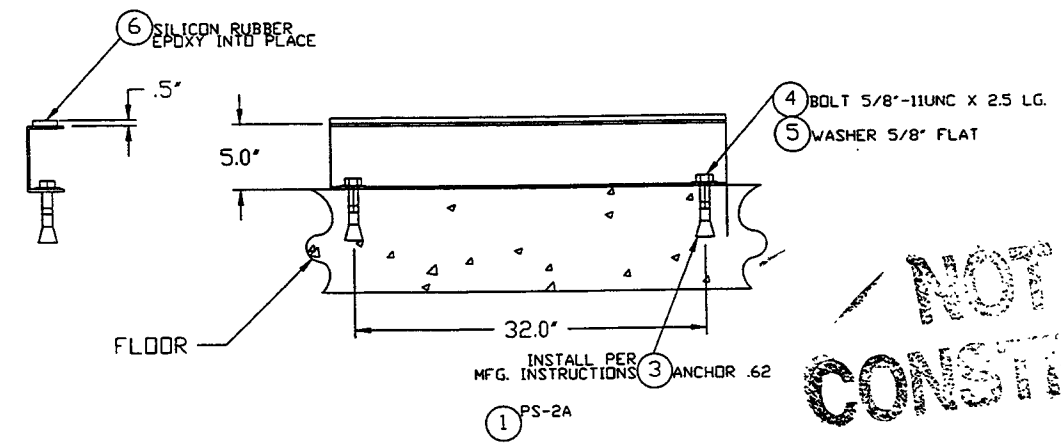
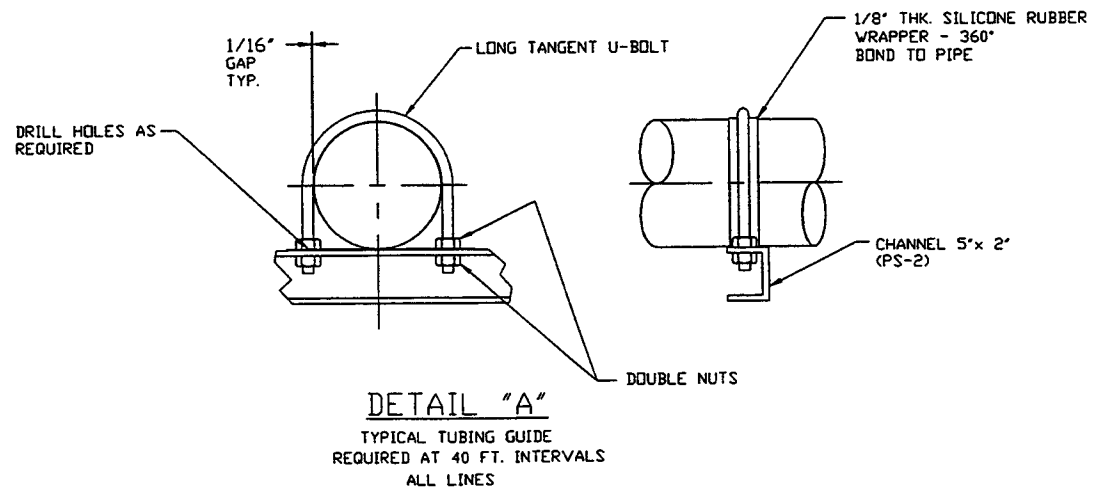
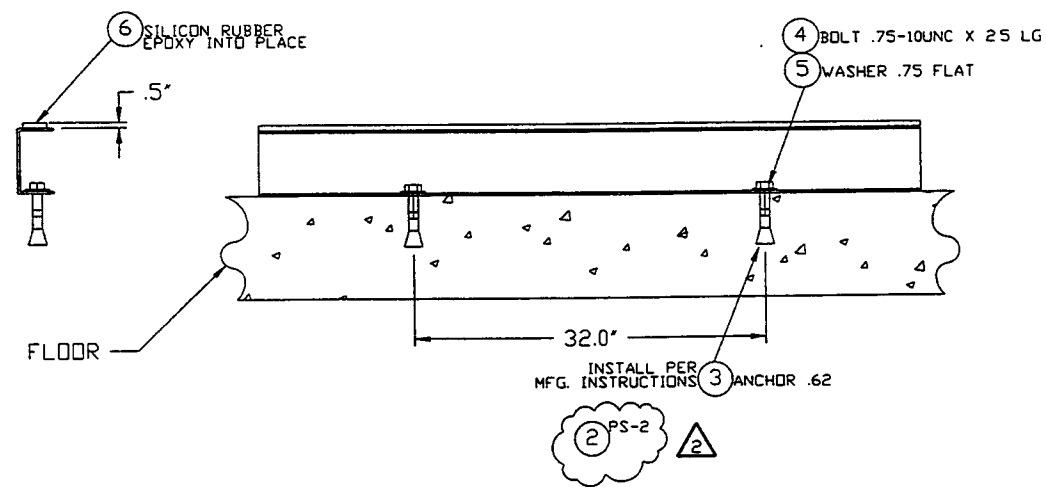
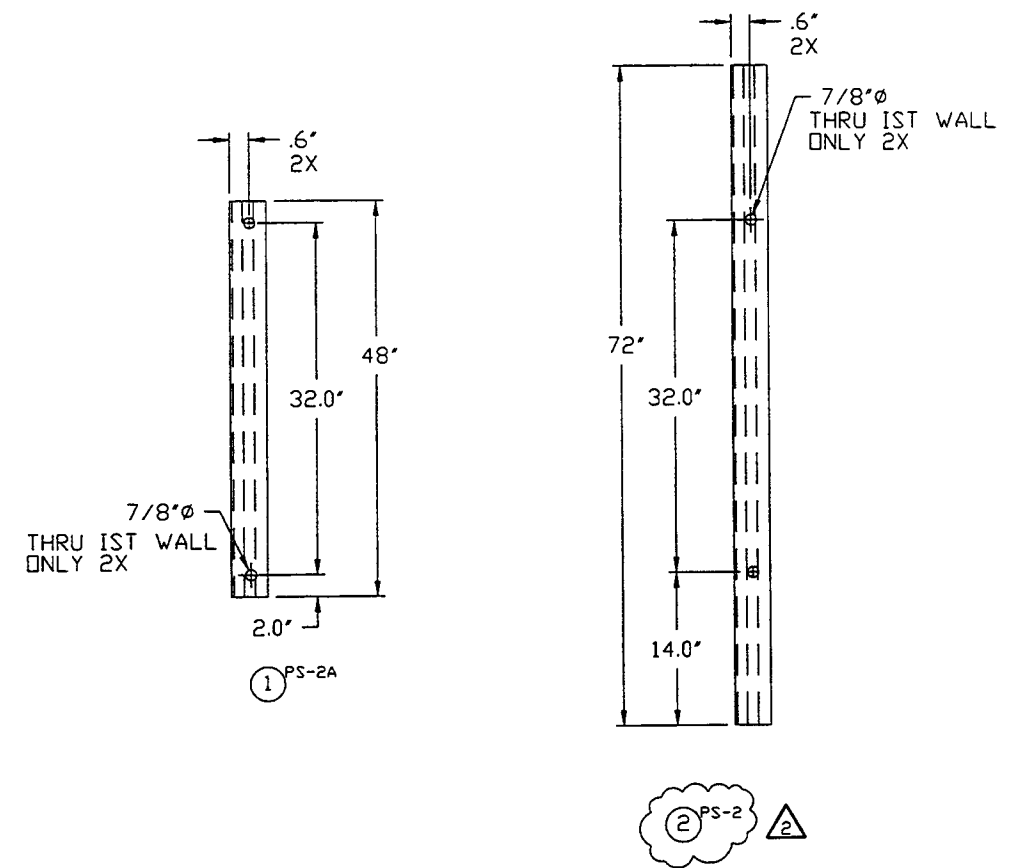


ITEM	PART NUMBER	SUFFIX	QTY	UM	DESCRIPTION
1	PS-2A	3	4 FT		5' X 2' X .18" THK SHARP CORNER CHANNEL, AL 6063-T52
2	PS-2	3	6 FT		5' X 2' .18" THK SHARP CORNER CHANNEL AL 6063-T52
3		3	AR		ANCHOR BOLT, HILTI KWIK BOLT II 3/8"x2 1/2" LG.
4		3	AR		BOLT 3/8"x3" LG. C.S. NICKEL PLT.
5		3	AR		WASHER, 3/8" FLAT 304 SST.
6		3	AR		RUBBER, SILICON .5' X 2' X 36' & 60' LG.
7		3	AR		EPOXY



NOT FOR CONSTRUCTION

FEB 25 1997

PROPRIETARY AND CONFIDENTIAL
 THIS DOCUMENT CONTAINS PROPRIETARY INFORMATION BELONGING TO PROCESS SYSTEMS INTERNATIONAL, INC. OR ITS AFFILIATED COMPANIES AND SHALL BE USED ONLY FOR THE PURPOSE FOR WHICH IT WAS SUPPLIED. IT SHALL NOT BE COPIED, REPRODUCED OR OTHERWISE USED, NOR SHALL SUCH INFORMATION BE FURNISHED IN WHOLE OR IN PART TO OTHERS EXCEPT IN ACCORDANCE WITH THE TERMS OF ANY AGREEMENT UNDER WHICH IT WAS SUPPLIED OR WITH THE PRIOR WRITTEN CONSENT OF PROCESS SYSTEMS INTERNATIONAL, INC. AND SHALL BE RETURNED UPON REQUEST.

DWG. NO.	DESCRIPTION	USED ON:	REV.	DESCRIPTION	ISSUE DESCRIPTION
			2	ISSUED FOR FABRICATION	
			1	ISSUED FOR RELEASE / FDR UPDATE	
			0	ISSUED FOR FDR	
	REFERENCE DRAWINGS	NEXT ASS'Y			

PROCESS SYSTEMS INTERNATIONAL, INC. 20 WALCUP DR. WESTBOROUGH, MASSACHUSETTS 01581 USA	
PS-2 PIPE SUPPORT 4' & 6' SPAN LIGO VACUUM EQUIPMENT	
CAD FILE V0494073	SIZE C
DWG. NO. V049-4-073	REV. 2
SCALE AS NOTED	SHEET 1 OF 1

Feb 25, 1997 - 13:28:20

LIGO-D961134-02-V