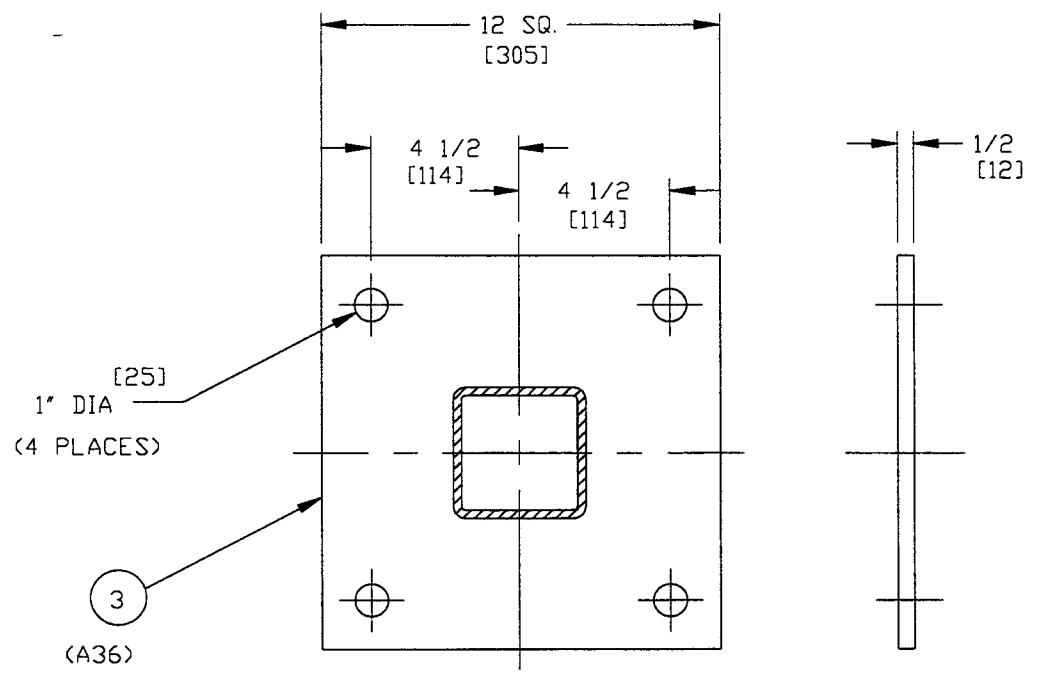
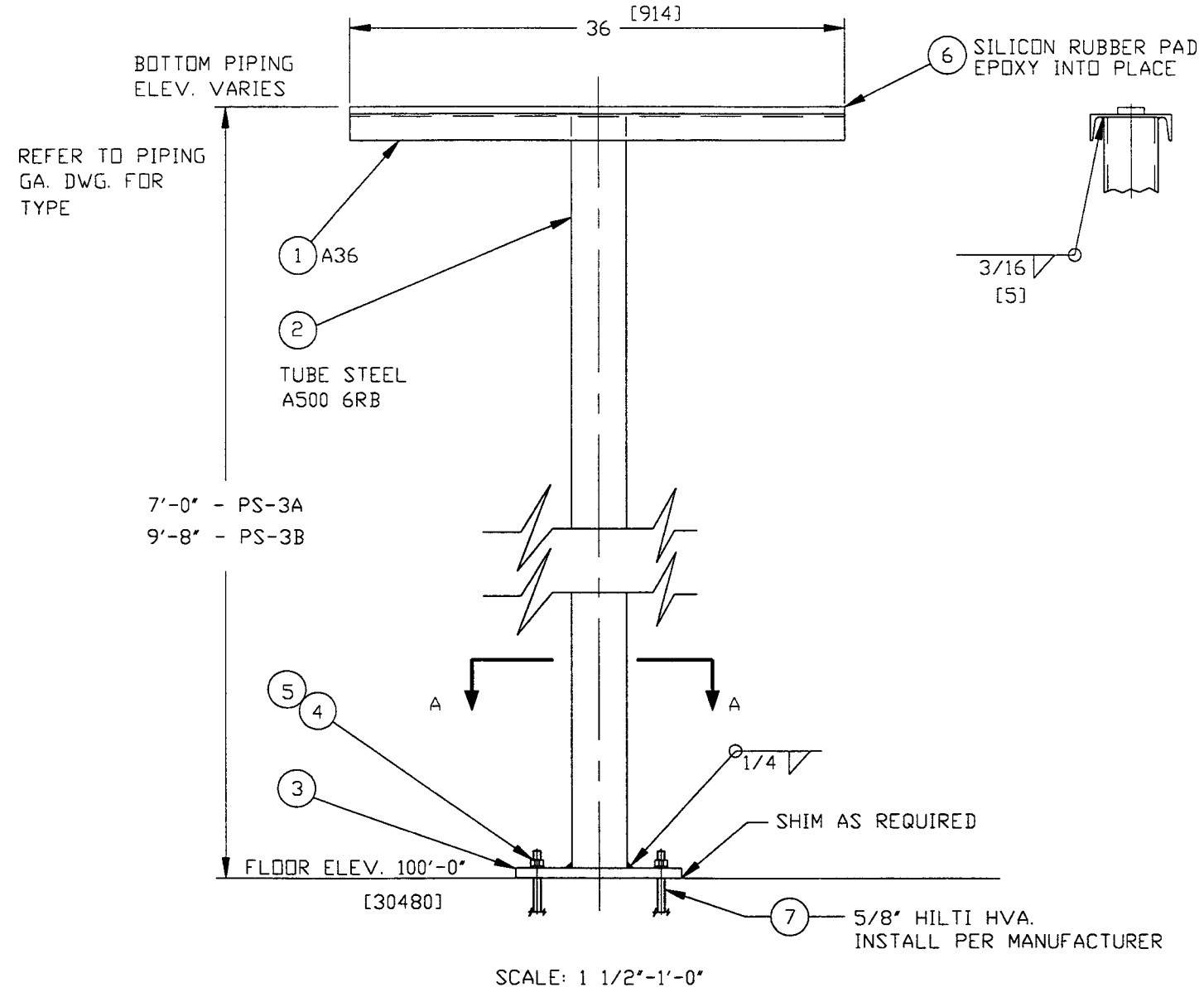


| ITEM | PART NO | SUFFIX | QTY | UM | DESCRIPTION                      |
|------|---------|--------|-----|----|----------------------------------|
| 1    |         |        | 1   | EA | CHANNEL, C6x8 23#/FT x3 FT. A36  |
| 2    |         |        | 2   | EA | TUBE, SQ, 1/4"x4"x20 FT. LG. A36 |
| 3    |         |        | 4   | EA | PLATE, 1/4"x12"x12"              |
| 4    |         |        | 4   | EA | BOLT 5/8"x3" LG C.S. NICKEL PLT. |
| 5    |         |        | 4   | EA | WASHER, FLAT, 3/4" ID            |
| 6    |         |        | 3   | FT | SILICON PAD 1/2" X 2" X 3 FT LG. |
| 7    |         |        | 4   | EA | ANCHOR HILTI HVA 5/8"x 5" LG.    |



SECTION A-A  
SCALE: 1/4

NOTE:  
1. PAINT PER PSI SPEC V049-2-077.

**NOT FOR CONSTRUCTION**  
*Raymond A. Walter*  
5/6/96

**PROPRIETARY AND CONFIDENTIAL**  
THIS DOCUMENT CONTAINS PROPRIETARY INFORMATION BELONGING TO PROCESS SYSTEMS INTERNATIONAL, INC OR ITS AFFILIATED COMPANIES AND SHALL BE USED ONLY FOR THE PURPOSE FOR WHICH IT WAS SUPPLIED. IT SHALL NOT BE COPIED, REPRODUCED OR OTHERWISE USED, NOR SHALL SUCH INFORMATION BE FURNISHED IN WHOLE OR IN PART TO OTHERS EXCEPT IN ACCORDANCE WITH THE TERMS OF ANY AGREEMENT UNDER WHICH IT WAS SUPPLIED OR WITH THE PRIOR WRITTEN CONSENT OF PROCESS SYSTEMS INTERNATIONAL, INC. AND SHALL BE RETURNED UPON REQUEST.

| DWG. NO. | DESCRIPTION        | USED ON:    | REV. | DESCRIPTION    | CHKD | DRAWN | DATE    | DEC  |
|----------|--------------------|-------------|------|----------------|------|-------|---------|------|
|          | REFERENCE DRAWINGS | NEXT ASS'Y: | 0    | ISSUED FOR FDR |      |       | 4/29/96 | 0150 |

|   |                 |                       |          |
|---|-----------------|-----------------------|----------|
| <b>PROCESS SYSTEMS INTERNATIONAL, INC.</b><br>20 WALKUP DR., WESTBOROUGH, MASSACHUSETTS 01581 USA |                 |                       |          |
| <b>PS-3 'T'-POST SUPPORT<br/>MECH ROOM PIPING<br/>LIGO VACUUM EQUIPMENT</b>                       |                 |                       |          |
| CAD FILE<br>V0494074  | SIZE<br>C       | DWG NO.<br>V049-4-074 | REV<br>0 |
| SCALE<br>AS NOTED   | SHEET<br>1 OF 1 |                       |          |

Apr 30, 1996 - 11:09:59