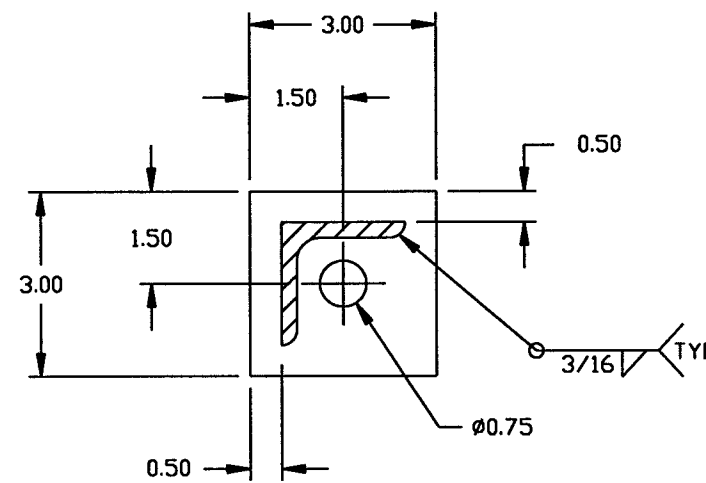
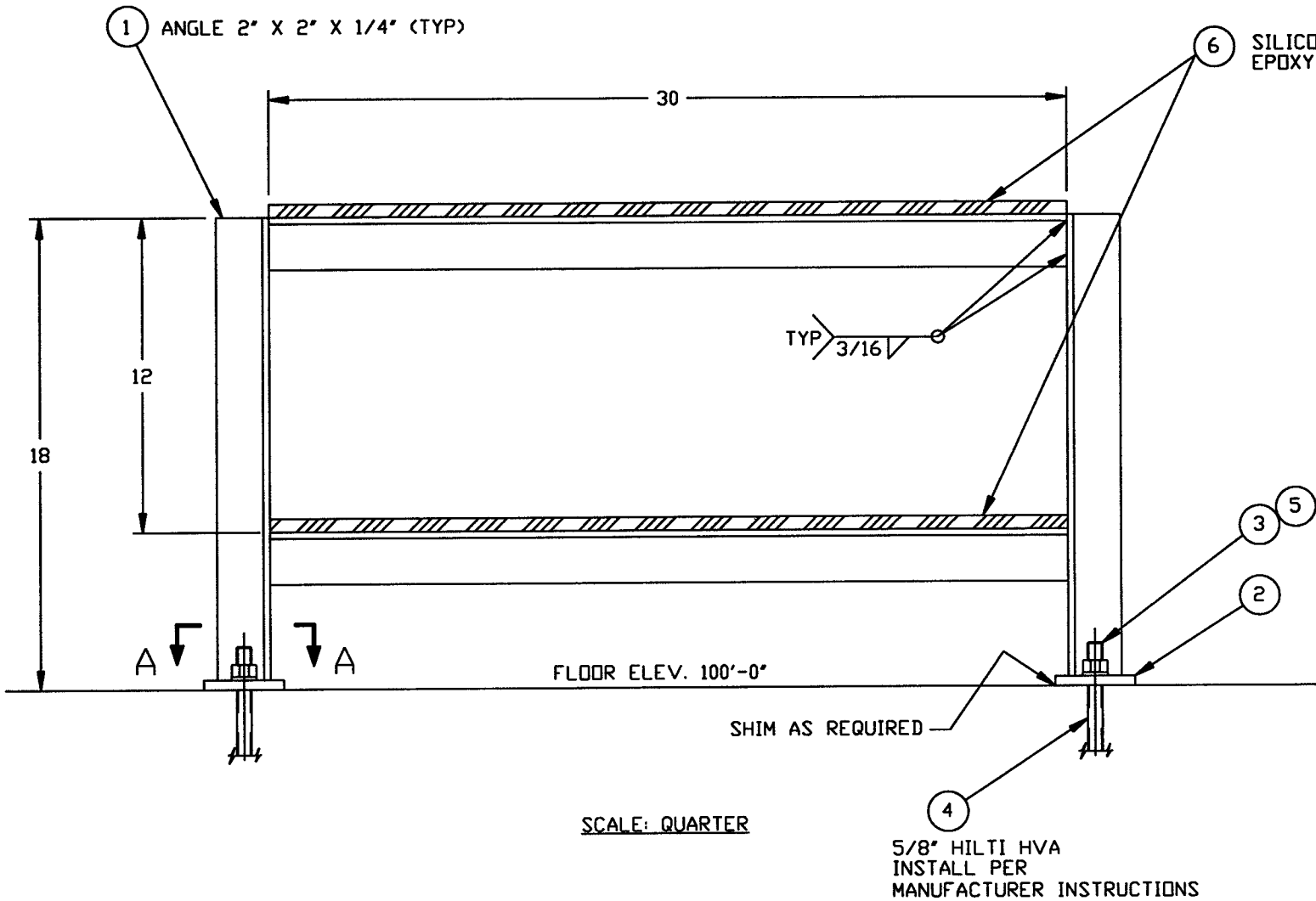


ITEM	PART NO.	SUFFIX	QTY	UM	DESCRIPTION
1			5.5	FT	ANGLE, 2" X 2" X 1/4" A36
2			2	EA	BAR, 3" X 3" X 3/8"
3			2	EA	BOLT, 5/8" LG. C.S. NICKEL PLT.
4			2	EA	ANCHOR, HILTI, HVA 5/8" x 5" <i>CO. FINISHED.</i>
5			2	EA	WASHER, FLAT, 3/4" ID
6			5	FT	RUBBER, SILICON 1/2" X 2" X 2'-6"



SECTION A-A
SCALE: HALF

NOTE:
1.) PAINT PER PSI SPEC. V049-2-077.

NOT FOR CONSTRUCTION

Raymond D. Liatto
5/6/96
100-0961136-00-V

PROPRIETARY AND CONFIDENTIAL THIS IS A DETAILED PROPRIETARY DRAWING OF PROCESS SYSTEMS INTERNATIONAL, INC. OR ITS AFFILIATES. IT IS TO BE USED ONLY FOR THE PURPOSE FOR WHICH IT WAS SUPPLIED. IT SHALL NOT BE COPIED, REPRODUCED OR OTHERWISE USED, NOR SHALL SUCH INFORMATION BE FURNISHED IN WHOLE OR IN PART TO OTHERS EXCEPT IN ACCORDANCE WITH THE TERMS OF ANY AGREEMENT UNDER WHICH IT WAS SUPPLIED OR WITH THE PRIOR WRITTEN CONSENT OF PROCESS SYSTEMS INTERNATIONAL, INC. AND SHALL BE RETURNED UPON REQUEST.		UNLESS OTHERWISE SPECIFIED DIMENSIONS ARE IN INCHES TOLERANCES: FINISHES: 1/16 ANGULARS: 45°-90° BOMB 45° TWO PLACE DECIMAL ± .005 THREE PLACE DECIMAL ± .002 FINISHED SURFACE B73 BREAK CORNERS: R.005 OUT-0.005 REMOVE ALL BURRS										PROCESS SYSTEMS INTERNATIONAL, INC. 20 WALCUP DR., WESTBOROUGH, MASSACHUSETTS 01581 USA	
DO NOT SCALE THIS DVG.		0		ISSUED FOR FDR		D.W. VLEC		MA		4/29/96		0150	
DVG. NO.		DESCRIPTION		USED ON		REV.		DESCRIPTION		CHKD		DRAWN	
REFERENCE DRAWINGS		NEXT ASSY:		ISSUE DESCRIPTION		SCALE		AS NOTED		SHEET		1 OF 1	
										PS-4 PIPE SUPPORT VE PIPING LIGD VACUUM EQUIPMENT		CAB FILE V0494075	
										DVG. NO. V049-4-075		REV. 0	

May 06, 1996 - 13:48:58