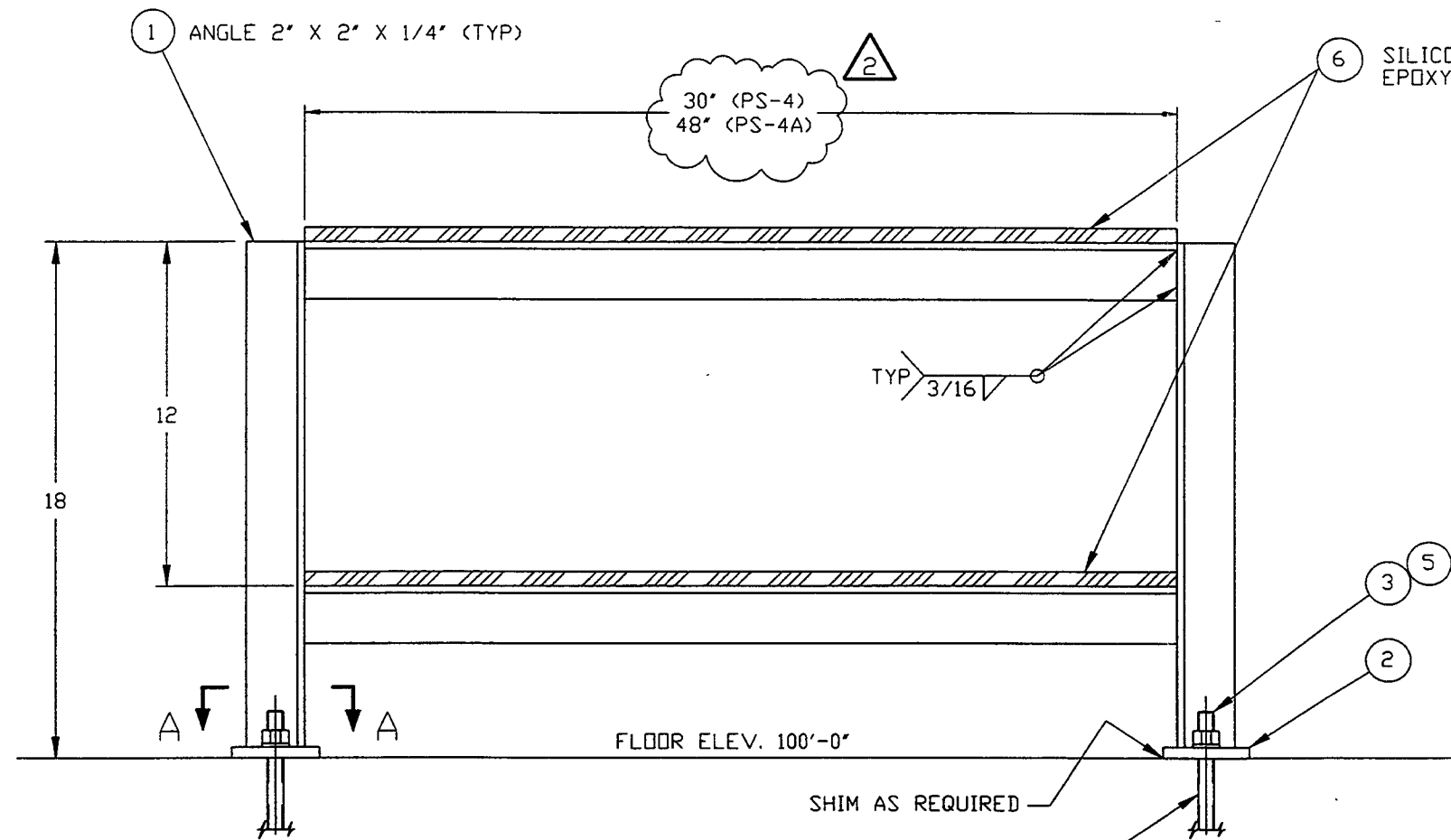
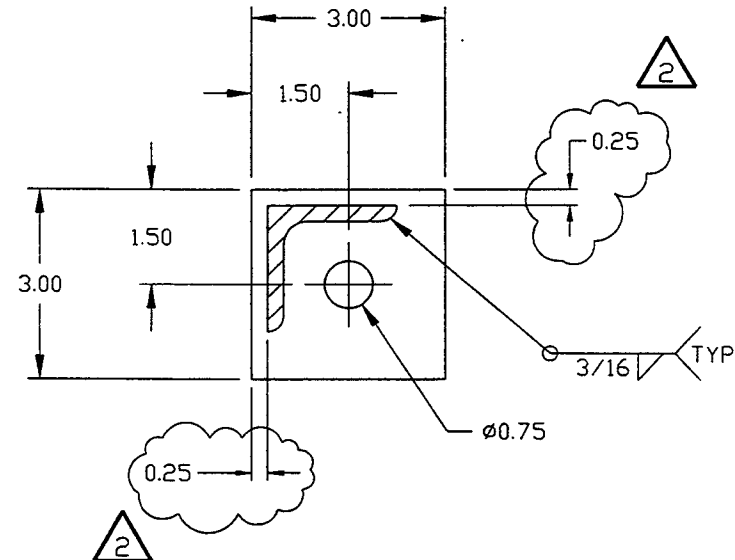


ITEM	PART NO.	SUFFIX	QTY	QTY	UM	DESCRIPTION
			PS-4	PS-4A		
1			8	11	FT	ANGLE, 2" X 2" X 1/4" A36
2			2	2	EA	PLATE, 3" X 3" X 3/8"
3			2	2	EA	BOLT, 5/8" X 3" LG. C.S. NICKEL PLT.
4			2	2	EA	ANCHOR, HILTI, HVA 5/8" X 5" LG.
5			2	2	EA	WASHER, FLAT, 3/4" ID
6			5	8	FT	RUBBER, SILICON 1/2" X 2" W



30" (PS-4)
48" (PS-4A)

6 SILICON RUBBER PAD
EPOXY INTO PLACE



SECTION A-A

SCALE: HALF

NOTE:
1.) PAINT PER PSI SPEC. V049-2-139.

NOT FOR CONSTRUCTION

FEB 25 1997

PROPRIETARY AND CONFIDENTIAL
THIS DOCUMENT CONTAINS PROPRIETARY INFORMATION BELONGING TO PROCESS SYSTEMS INTERNATIONAL, INC. OR ITS AFFILIATED COMPANIES AND SHALL BE USED ONLY FOR THE PURPOSE FOR WHICH IT WAS SUPPLIED. IT SHALL NOT BE COPIED, REPRODUCED OR OTHERWISE USED, NOR SHALL SUCH INFORMATION BE FURNISHED IN WHOLE OR IN PART TO OTHERS EXCEPT IN ACCORDANCE WITH THE TERMS OF ANY AGREEMENT UNDER WHICH IT WAS SUPPLIED OR WITH THE PRIOR WRITTEN CONSENT OF PROCESS SYSTEMS INTERNATIONAL, INC. AND SHALL BE RETURNED UPON REQUEST.

DWG. NO.	DESCRIPTION	USED ON:	REV.	DESCRIPTION	ISSUE DESCRIPTION	CHKD	DRAWN	DATE	DED
			2	ISSUED FOR FABRICATION					
			1	ISSUED FOR RELEASE/FDR UPDATE		DnV	RDC	REC	PV 12/27/96
			0	ISSUED FOR FDR/BIDS		DnV	RDC	REC	MA 4/29/96 0150

PROCESS SYSTEMS INTERNATIONAL, INC.
20 WALKUP DR. WESTBOROUGH, MASSACHUSETTS 01581 USA

PS-4/PS-4A PIPE SUPPORT
VE PIPING
LIGO VACUUM EQUIPMENT

CAD FILE: V0494075 | SIZE: C | DWG. NO.: V049-4-075 | REV: 2
SCALE: AS NOTED | SHEET: 1 OF 1

Feb 22, 1997 13:30:53