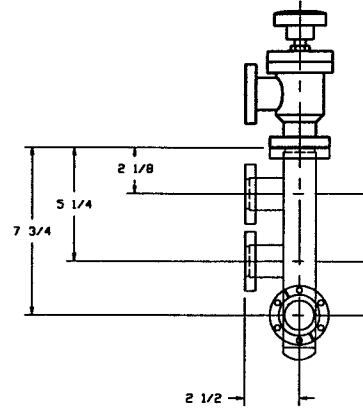
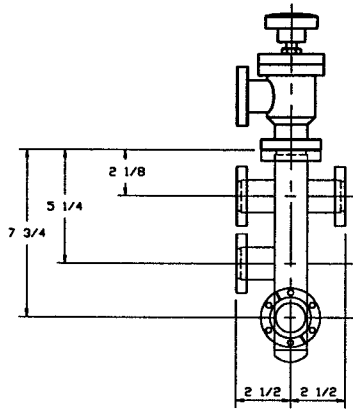


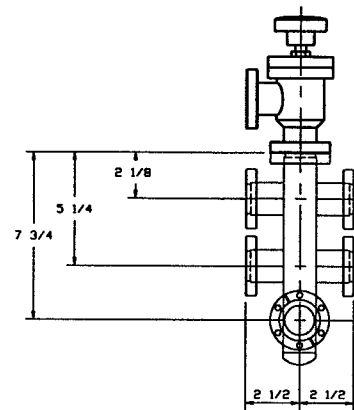
MANIFOLD SIDE VIEW
SCALE: 3" = 1'-0"



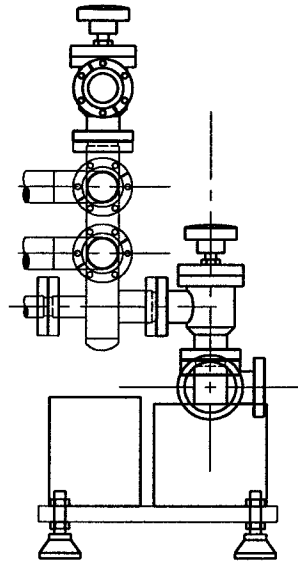
TYPE I MANIFOLD - 25 L/S ION PUMP
SCALE: 3" = 1'-0"



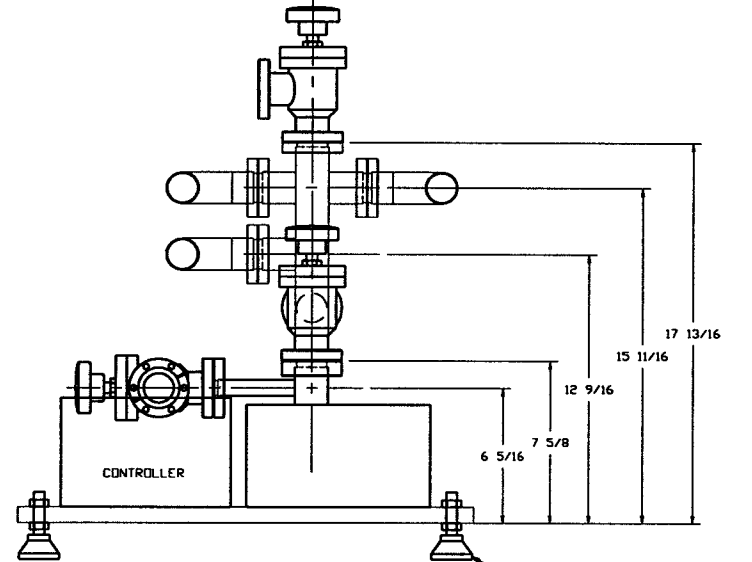
TYPE II MANIFOLD - 25 L/S ION PUMP
SCALE: 3" = 1'-0"



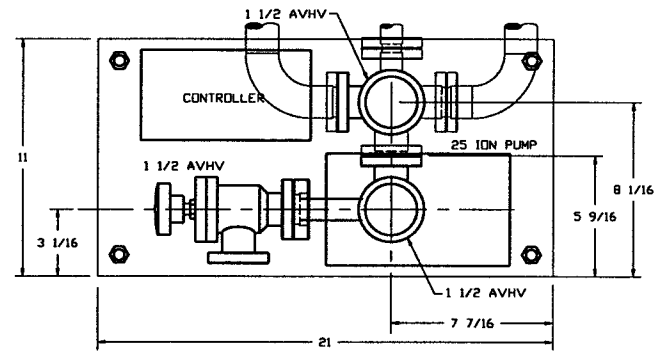
TYPE III MANIFOLD - 25 L/S ION PUMP
SCALE: 3" = 1'-0"



SIDE VIEW



ELEVATION



PLAN - 25 L/S ION PUMP
SCALE: 3" = 1'-0"

NOT FOR CONSTRUCTION

Raymond S. Linto, P.E.
5/6/96

LIGO D961138-00-V

PROCESS SYSTEMS INTERNATIONAL INC.
20 WALKUP DR., WESTBOROUGH, MASSACHUSETTS 01581 USA

25 L/S ION PUMPS
LIGO VACUUM EQUIPMENT

CAD FILE V0494078	SIZE D	DWG. NO. V049-4-078	REV 0
SCALE AS NOTED		SHEET 1 OF 1	

UNLESS OTHERWISE SPECIFIED
DIMENSIONS ARE IN INCHES
TOLERANCES:
FRACTIONAL ±
ANGULAR/ROUNDER 30° BEND 45°
TWO PLACE DECIMAL ± .01
THREE PLACE DECIMAL ± .005
FINISHED SURFACE SHG
BREAK CORNERS IN
REMOVE ALL BURRS

DO NOT SCALE THIS DRAWING
USED ON:
NEXT ASS'Y:

0 ISSUED FOR FDR

DAWLES GW 4/30/96 0150

REV DESCRIPTION

CHKD DRWN DATE DEGR

ISSUE DESCRIPTION

DWG. NO.	DESCRIPTION	DWG. NO.	DESCRIPTION
REFERENCE DRAWINGS			

8 7 6 5 4 3 2 1

May 05, 1996 - 111803