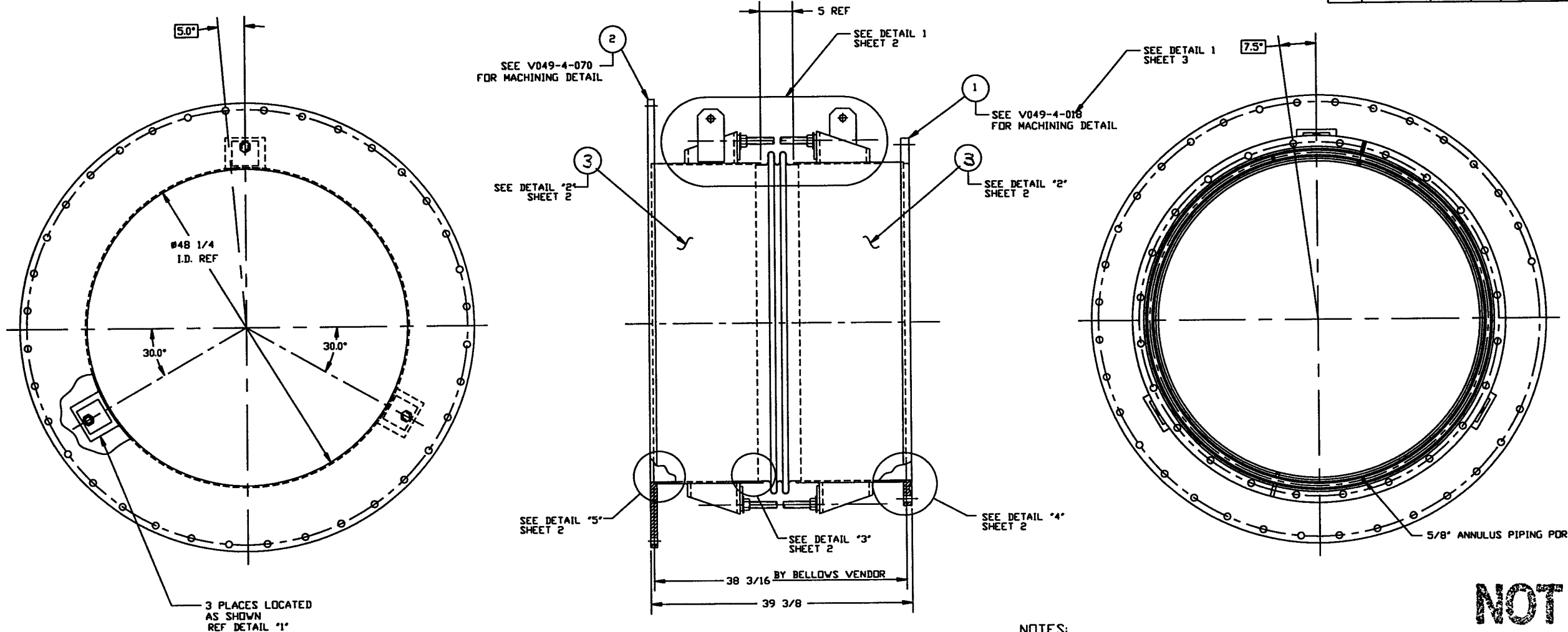


ITEM	PART NUMBER	SUFFIX	QTY	UM	DESCRIPTION
1	V0494018		1	EA	FLANGE, GROOVED, 48 1/4" ID X 56" OD X 1-1/4" THK
2	V0494071		1	EA	FLANGE, FLAT FACE, 48 1/4" ID X 60 1/4" OD X 1" THK
3	XX		XX	SF	PLATE, 304L SSSL, 1/4" THK
4	XX		XX	SF	PLATE, 304L SSSL, 3/8" THK
5	XX		XX	FT	TUBING, RECT, 8" X 6" X 1/2" 304 SSSL
6	XX		XX	EA	BELLOWS ASSY
7	XX		4	EA	ROD, THREADED, 1"-8 UNC-2A X 29" LG
8	XX		8	EA	WASHER, 1" SSSL TYPE A
9	XX		8	EA	NUT, HEX, 1"-8 UNC-2B



**NOT FOR CONSTRUCTION**

- NOTES:
- LEAK TEST & METHOD PER PSI SPEC: V049-2-014
  - CERTIFIED MANUFACTURER'S MATERIAL TEST REPORTS REQUIRED.
  - BOLT HOLES TO STRADDLE CENTERLINES AS SHOWN. +/--.015
  - CLEAN PER SPEC: V049-2-015
  - DO NOT USE CARBON STEEL BRUSHES OR BRUSHES CONTAMINATED WITH CARBON STEEL ON STAINLESS OR ALUMINUM MATERIAL.
  - SPDOL FABRICATION TO BE IN ACCORDANCE WITH SPEC. V049-2-097.
  - FOR FLANGE DETAILS SEE DWG. V049-4-018 & 070.
  - THESE FLANGES EACH INCLUDE AN ANNULAR CHANNEL BETWEEN D-RINGS, MANIFOLD TO A SINGLE PUMPOUT PORT ON EACH CHAMBER, SEE DWG V049-4-
  - REGISTERED TRADEMARK, VARIAN VACUUM PRODUCTS; COMPATIBLE ALTERNATIVES ARE ACCEPTABLE.

*Raymond S. Watts, PE*  
5/2/96

LIGO D961141-00-V

**PROCESS SYSTEMS INTERNATIONAL, INC.**  
20 WALUP DR. WESTBOROUGH, MASSACHUSETTS 01581 USA

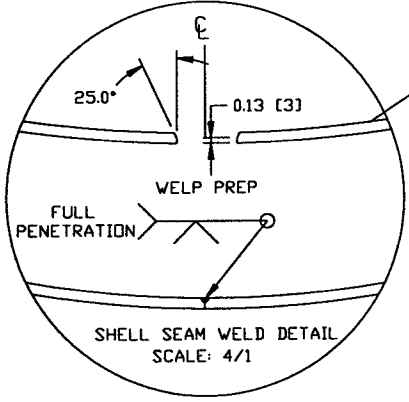
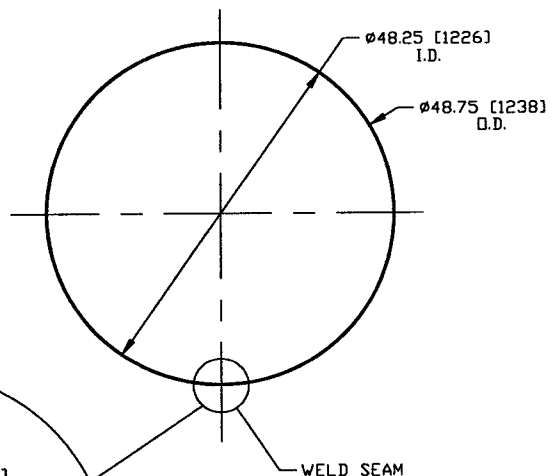
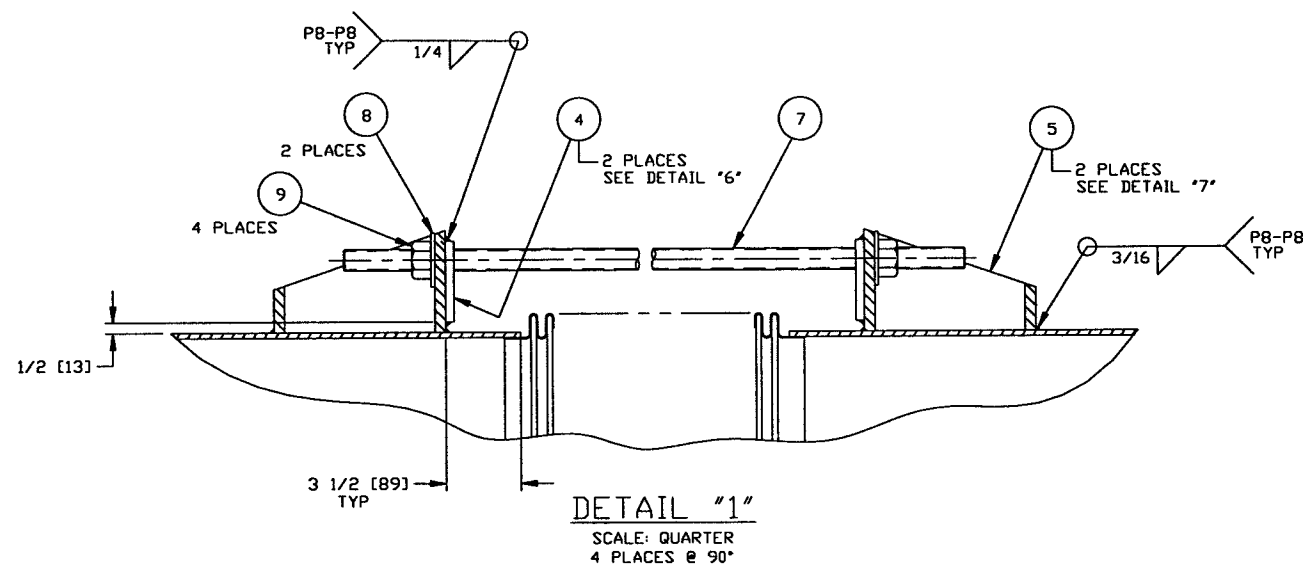
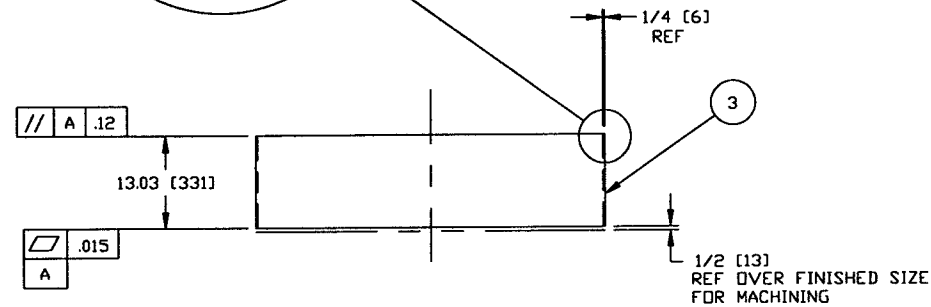
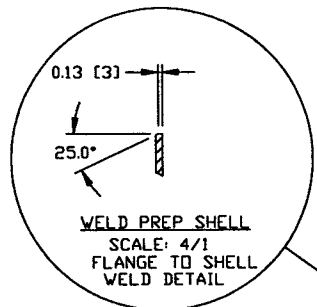
ADAPTER A-3  
48.25" ID x 60.50" ID  
LIGO VACUUM EQUIPMENT

CAD FILE: V0494A3V4A3S1    SIZE: D    DWG NO: V049-4-A3    REV: 0

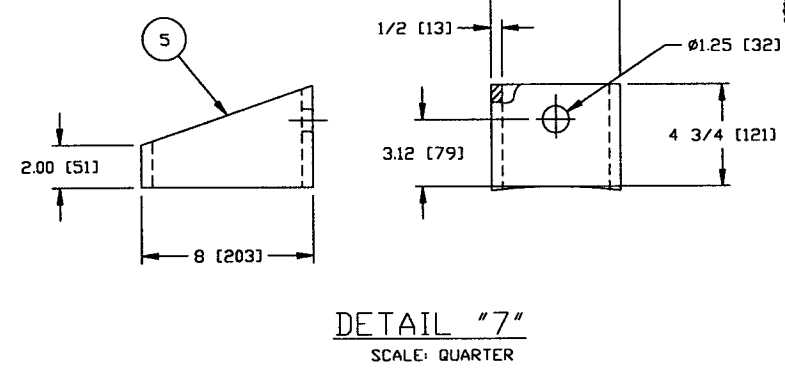
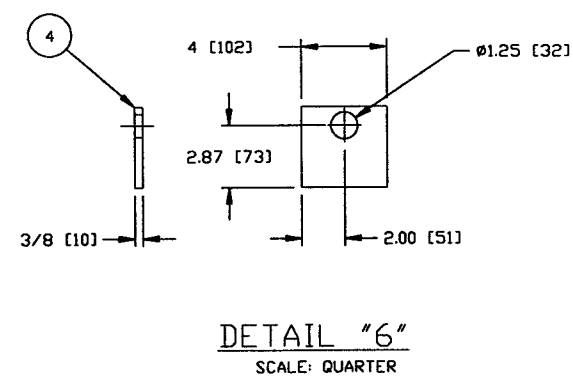
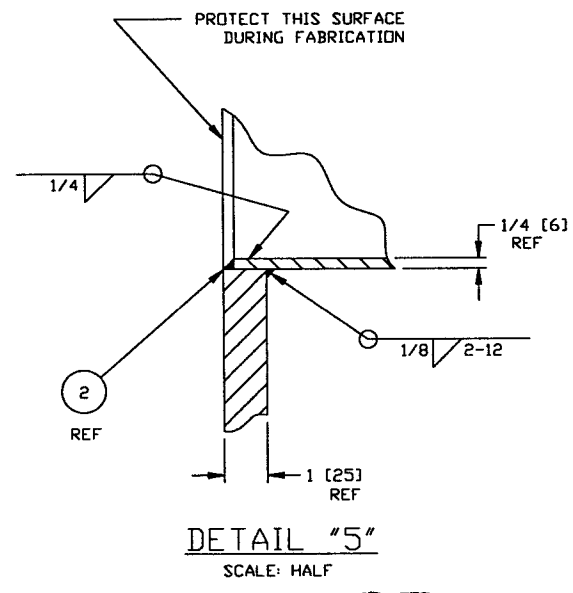
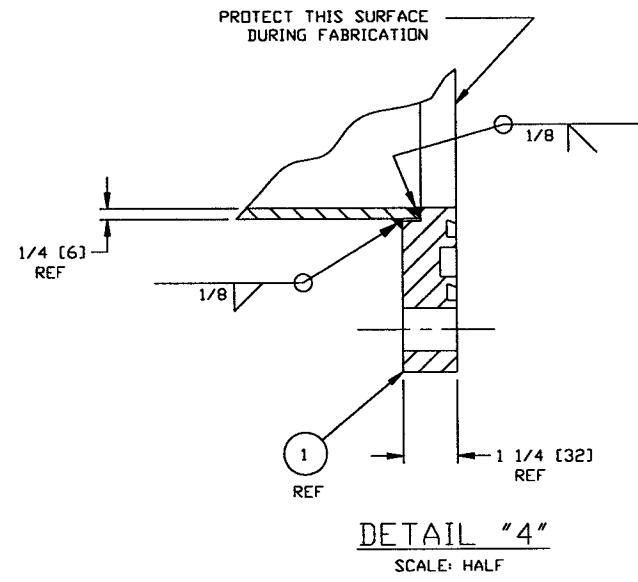
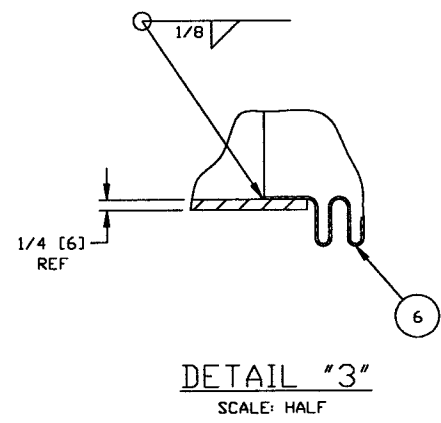
SCALE: 1-1/2" = 1"    SHEET: 1 OF 2

SYMBOL	CHARACTERISTIC	UNLESS OTHERWISE SPECIFIED	ISSUE DESCRIPTION
	FLATNESS	UNLESS OTHERWISE SPECIFIED DIMENSIONS ARE IN INCHES	DO NOT SCALE THIS DRAWING
	CYLINDRICITY	FUNCTIONAL: 4.1	
	PARALLELISM	TWO PLACE DECIMAL 4.2	USED ON: NEXT ASS'Y
	PERPENDICULARITY	THREE PLACE DECIMAL 4.3	
	ANGULARITY	FINEST SURFACE FINISH BREAK CORNERS IN OUT REMOVE ALL BURRS	0 ISSUED FOR FDR
	TRUE POSITION		REV
	CONCENTRICITY		DESCRIPTION

THIS DRAWING IS THE PROPERTY OF PROCESS SYSTEMS INTERNATIONAL, INC. OR ITS AFFILIATED COMPANIES AND SHALL BE USED ONLY FOR THE PURPOSE FOR WHICH IT WAS SUPPLIED. IT SHALL NOT BE COPIED, REPRODUCED OR OTHERWISE USED, NOR SHALL SUCH INFORMATION BE FURNISHED BY WHOLE OR IN PART TO ANY OTHER PARTY WITHOUT THE WRITTEN CONSENT OF PROCESS SYSTEMS INTERNATIONAL, INC. AND SHALL BE RETURNED UPON REQUEST.



DETAIL "2"  
SCALE: 1"=1'-0"  
QTY: 2



**NOT FOR CONSTRUCTION**

*Raymond S. Liatto, PE*  
5/17/96  
H 020 LIGO D961141-001

PROCESS SYSTEMS INTERNATIONAL INC. 30 WALKUP DR. WESTBOROUGH, MASSACHUSETTS 01581 USA			
ADAPTER A-3 48.25" ID x 60.50" ID LIGO VACUUM EQUIPMENT			
CAD FILE	SIZE	REV. NO.	REV.
V0494A3/4A3S2	D	V049-4-A3	0
SCALE	AS NOTED	SHEET	2 OF 2

REV 07, 1996 - 112834