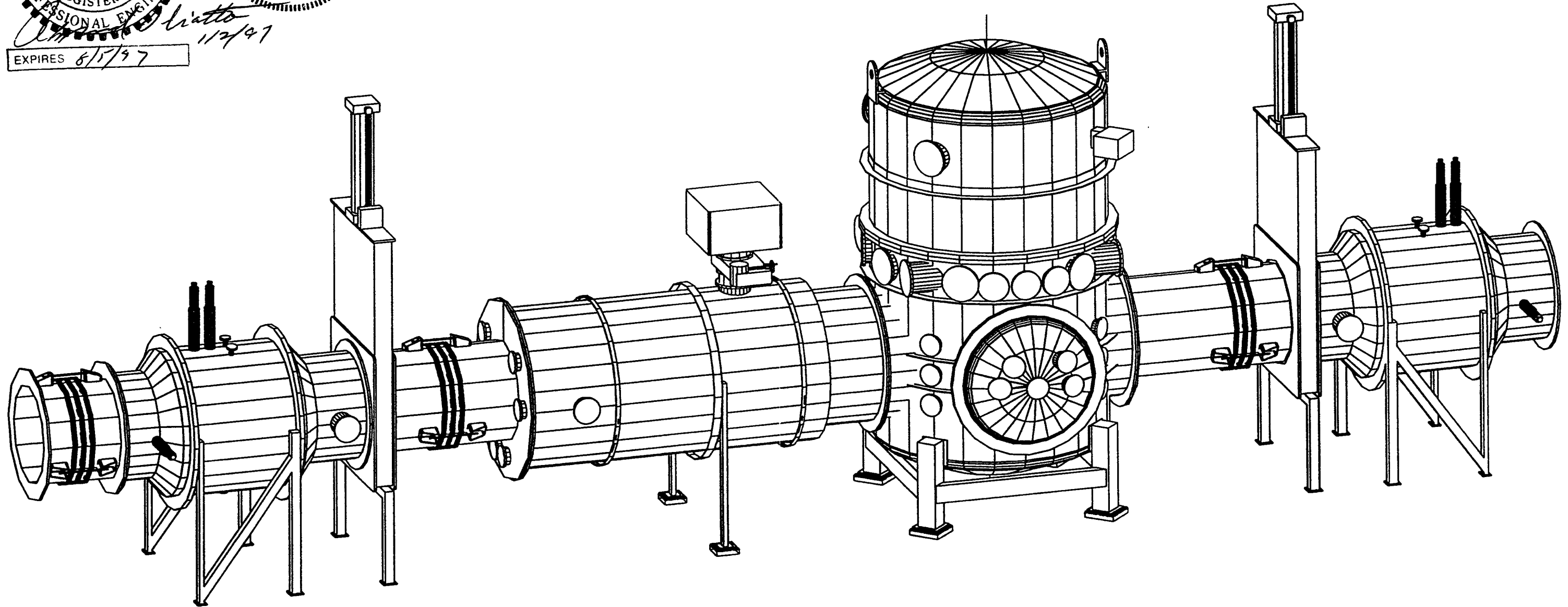


EXPIRES 8/5/97

Ciatto
11/7/97



PROPRIETARY AND CONFIDENTIAL
THIS DOCUMENT CONTAINS PROPRIETARY INFORMATION BELONGING TO PROCESS SYSTEMS INTERNATIONAL, INC. OR ITS AFFILIATED COMPANIES AND SHALL BE USED ONLY FOR THE PURPOSE FOR WHICH IT WAS SUPPLIED. IT SHALL NOT BE REPRODUCED, COPIED, REPRODUCED OR OTHERWISE USED, AND SUCH INFORMATION IS FURNISHED IN WHOLE OR IN PART TO YOU ON THE BASIS OF YOUR AGREEMENT TO THE TERMS OF THE LICENSE AGREEMENT WHICH IS THE PROPERTY OF PROCESS SYSTEMS INTERNATIONAL, INC. AND SHALL BE RETURNED UPON REQUEST.

REV.	DESCRIPTION	DATE	BY	CHKD.	DATE	BY
1	ISSUED FOR FOR UPDATE & BID	11/22/96	DMV	RBC	11/22/96	DMV
0	ISSUED FOR FOR	4/29/96	DMV	RBC	4/29/96	DMV

UNLESS OTHERWISE SPECIFIED DIMENSIONS ARE IN INCHES
FRACTIONS
AND APPROX. 1/8" TO 1/4" END AT
THE PLACE DESIGNATED BY
THREE PLACE DECIMALS AND
FINISHED SURFACE AND
SHALL BE TO BE MAINTAINED TO
REQUIRE ALL SURFACES

REV.	DESCRIPTION	DATE	BY	CHKD.	DATE	BY
1	ISSUED FOR FOR UPDATE & BID	11/22/96	DMV	RBC	11/22/96	DMV
0	ISSUED FOR FOR	4/29/96	DMV	RBC	4/29/96	DMV

PROCESS SYSTEMS INTERNATIONAL, INC.
30 WALTON DR. WESTBOROUGH, MASSACHUSETTS 01581 USA

**EQUIPMENT ARRANGEMENT ISO
RIGHT MID STATION
WASHINGTON
LIGO VACUUM EQUIPMENT**

DATE FILED: 11/22/96
DRAWING NO: V049-5-010
SHEET: 1 OF 1

LIGO-D961172-01-V