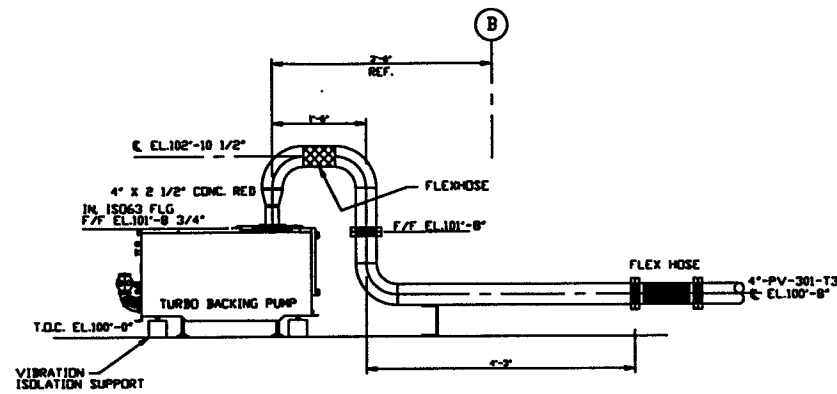
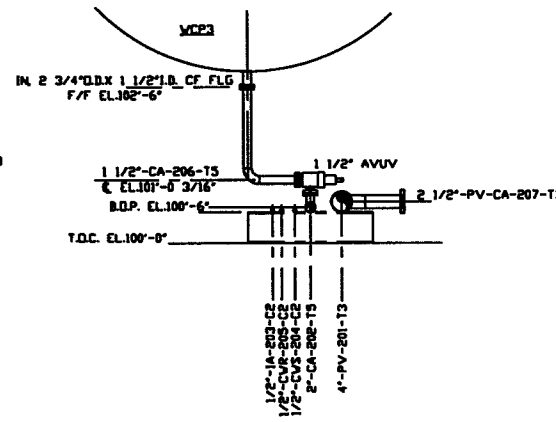


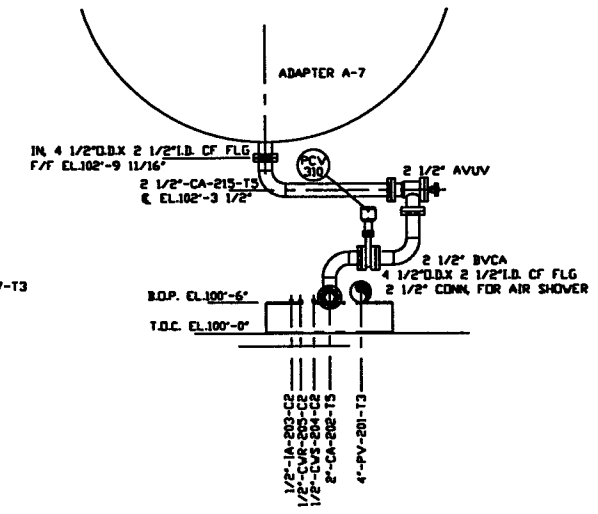
SECTION B
SCALE: 3/8"=1'-0"
V049-5-026
SHT.2



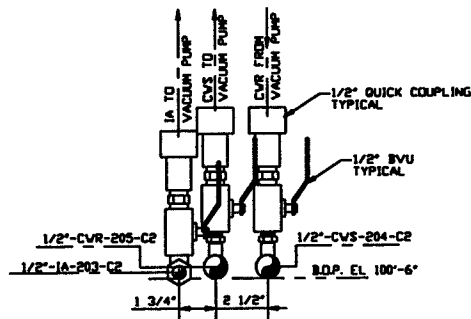
SECTION C
SCALE: 3/4"=1'-0"
V049-5-026
SHT.1



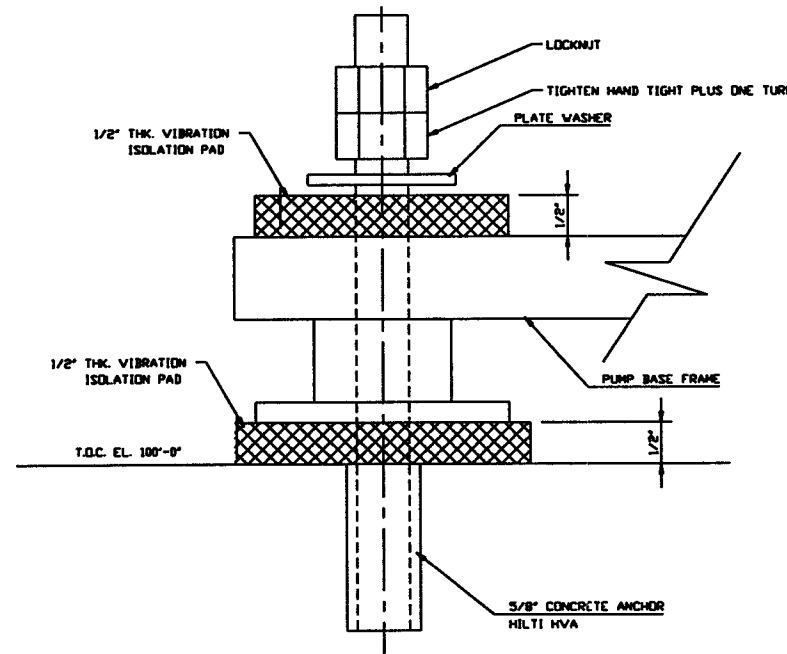
SECTION D
SCALE: 3/4"=1'-0"
V049-5-026
SHT.1



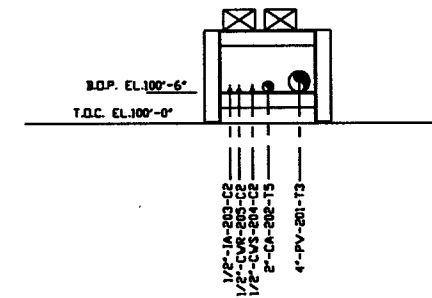
SECTION E
SCALE: 3/4"=1'-0"
V049-5-026
SHT.1



DETAIL 1
SCALE: 3"=1'-0"
V049-5-026
SHT.1



DETAIL 2
SCALE: FULL
V049-5-026
SHT.4



SECTION A
SCALE: 3/4"=1'-0"
V049-5-026
SHT.1

NOT FOR CONSTRUCTION

Raymond J. Coates, P.E. 5/7/96

NOT FOR CONSTRUCTION
THIS DRAWING IS THE PROPERTY OF PROCESS SYSTEMS INTERNATIONAL, INC. AND SHALL BE RETURNED UPON REQUEST.
NO PART OF THIS DRAWING IS TO BE REPRODUCED OR TRANSMITTED IN ANY FORM OR BY ANY MEANS, ELECTRONIC OR MECHANICAL, INCLUDING PHOTOCOPYING, RECORDING, OR BY ANY INFORMATION STORAGE AND RETRIEVAL SYSTEM, WITHOUT THE WRITTEN PERMISSION OF PROCESS SYSTEMS INTERNATIONAL, INC.

DWG. NO.	DESCRIPTION	DWG. NO.	DESCRIPTION

REV	DESCRIPTION	CHKD	DRWN	DATE	DESN
0	ISSUED FOR FDR			4/30/96	0153

PROCESS SYSTEMS INTERNATIONAL, INC. 20 WALRUP DR. WESTBOROUGH, MASSACHUSETTS 01581 USA	
PIPING ARRGT - SECTIONS & DETAILS LEFT MID STATION WASHINGTON SITE LOGO VACUUM EQUIPMENT	
CAD FILE V0495028	DWG. NO. V049-5-028
SIZE D	REV. 0
SCALE AS NOTED	SHEET 1 OF 1

2 LIGO D961185-00-V