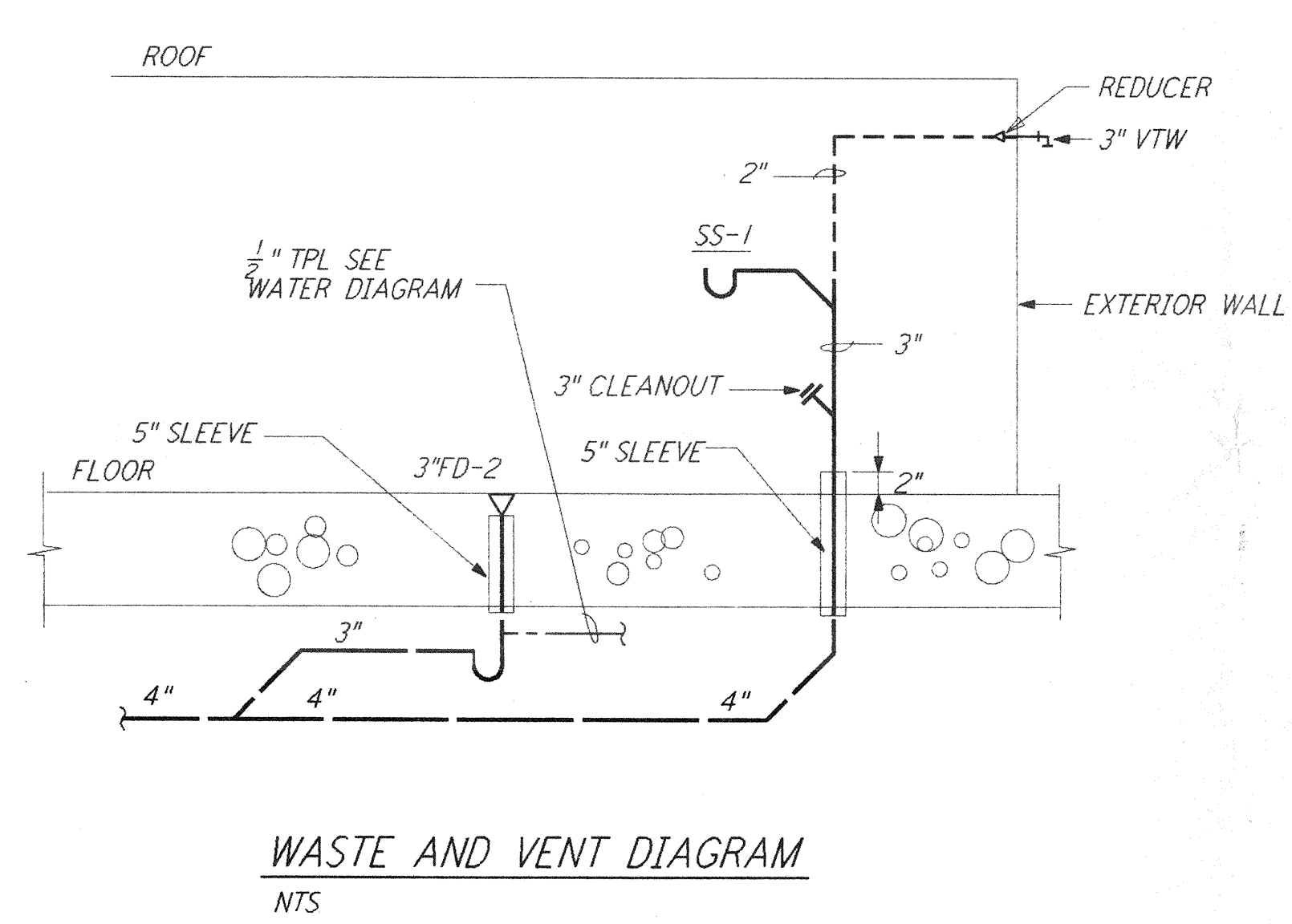
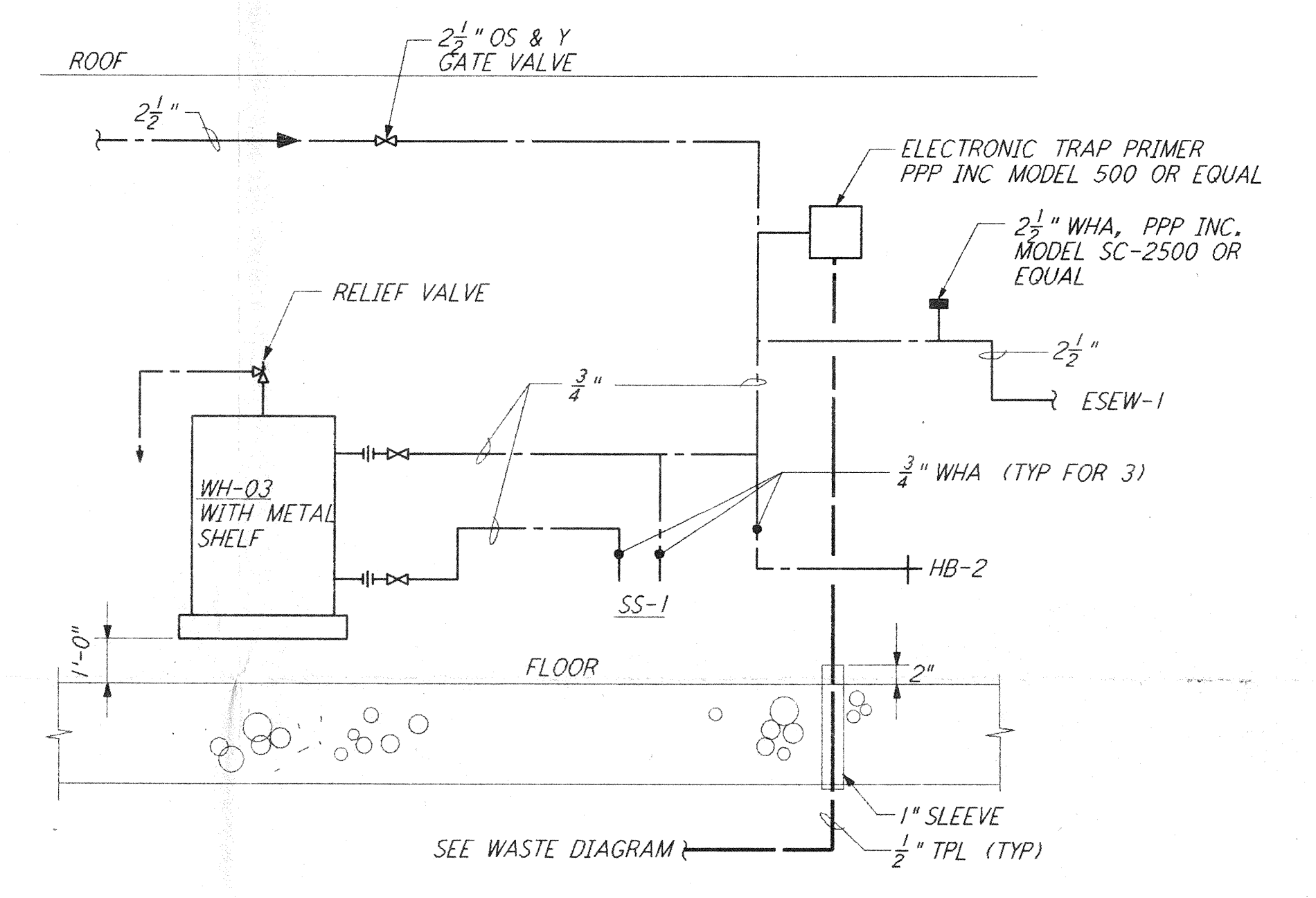
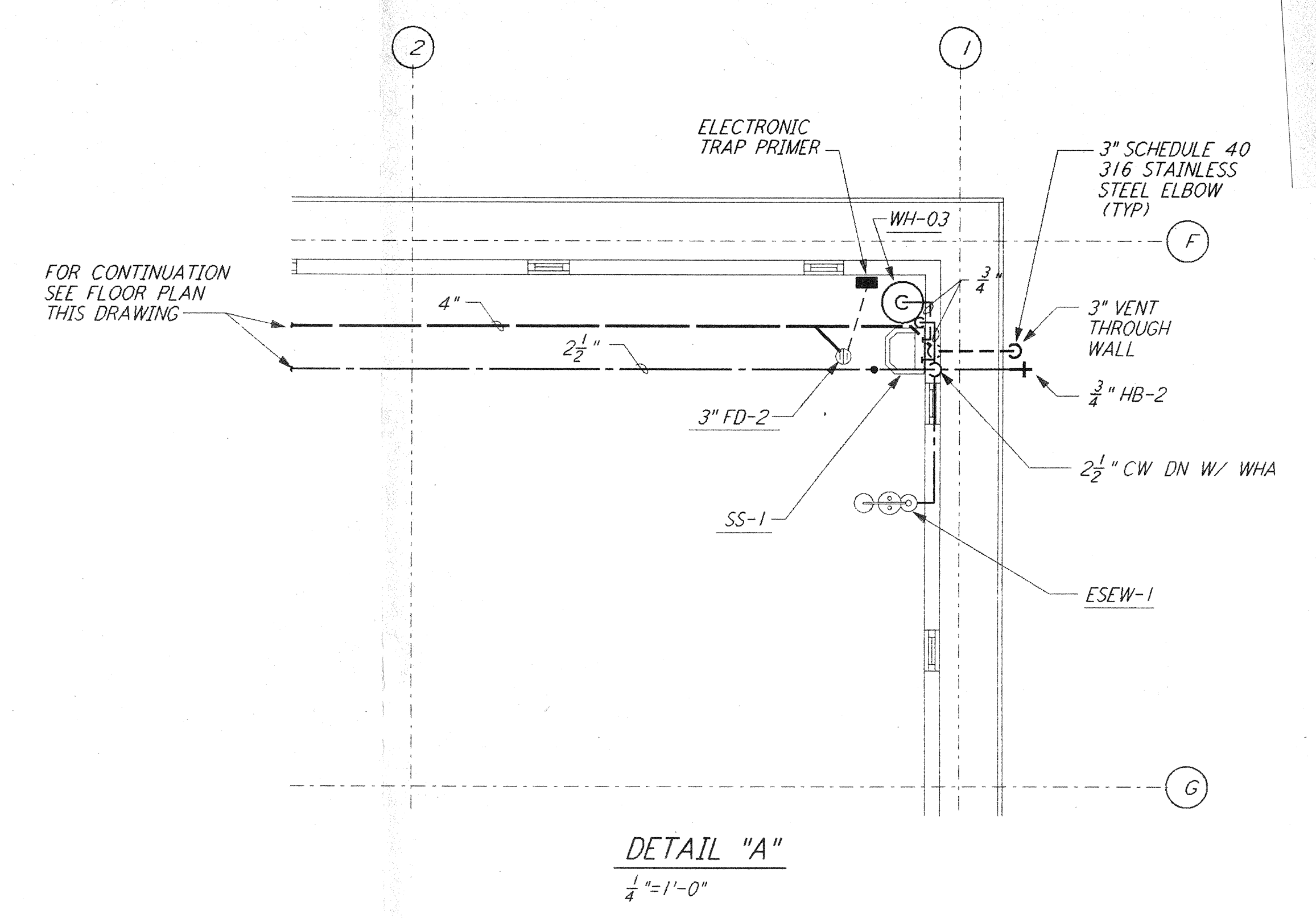
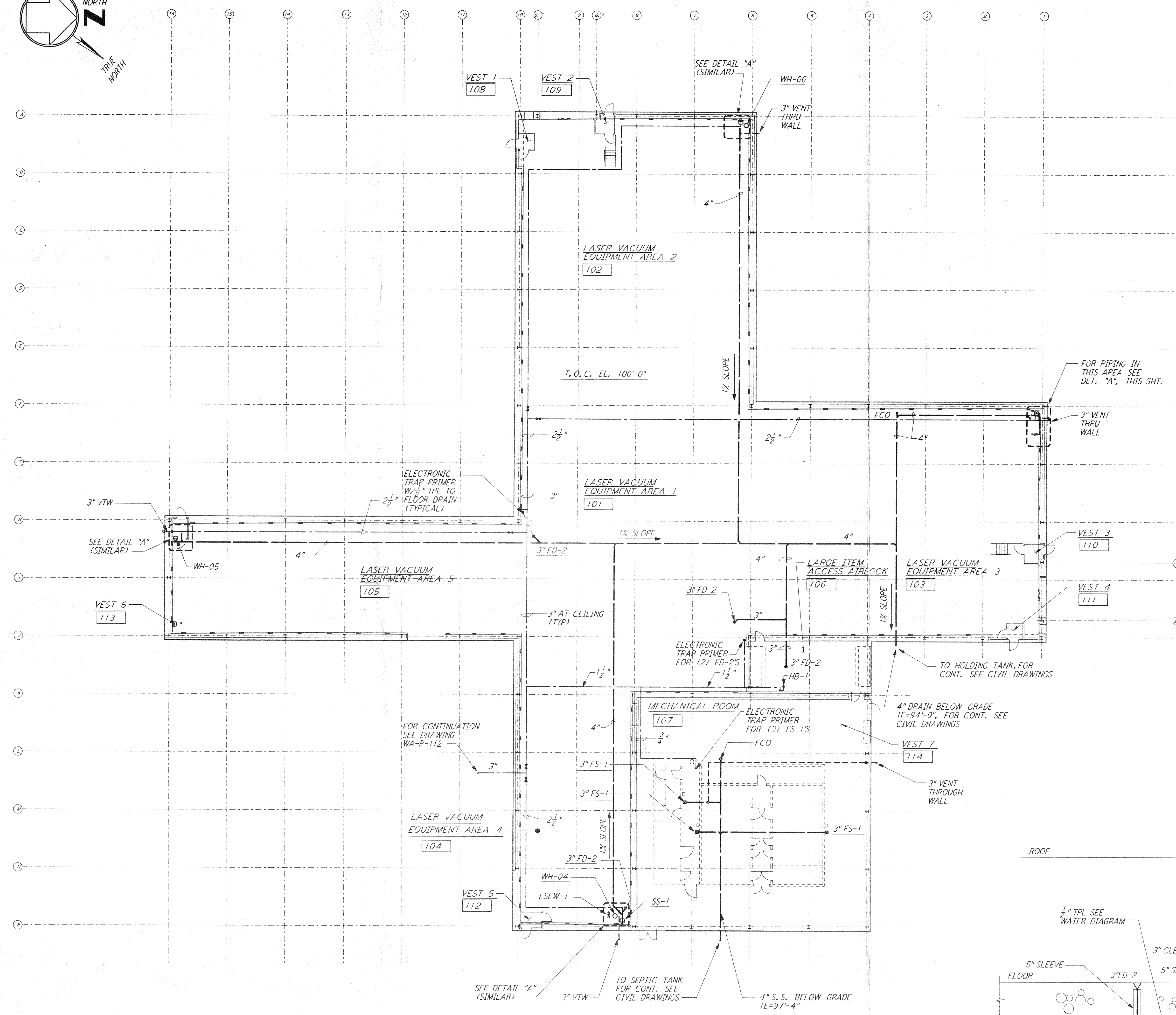
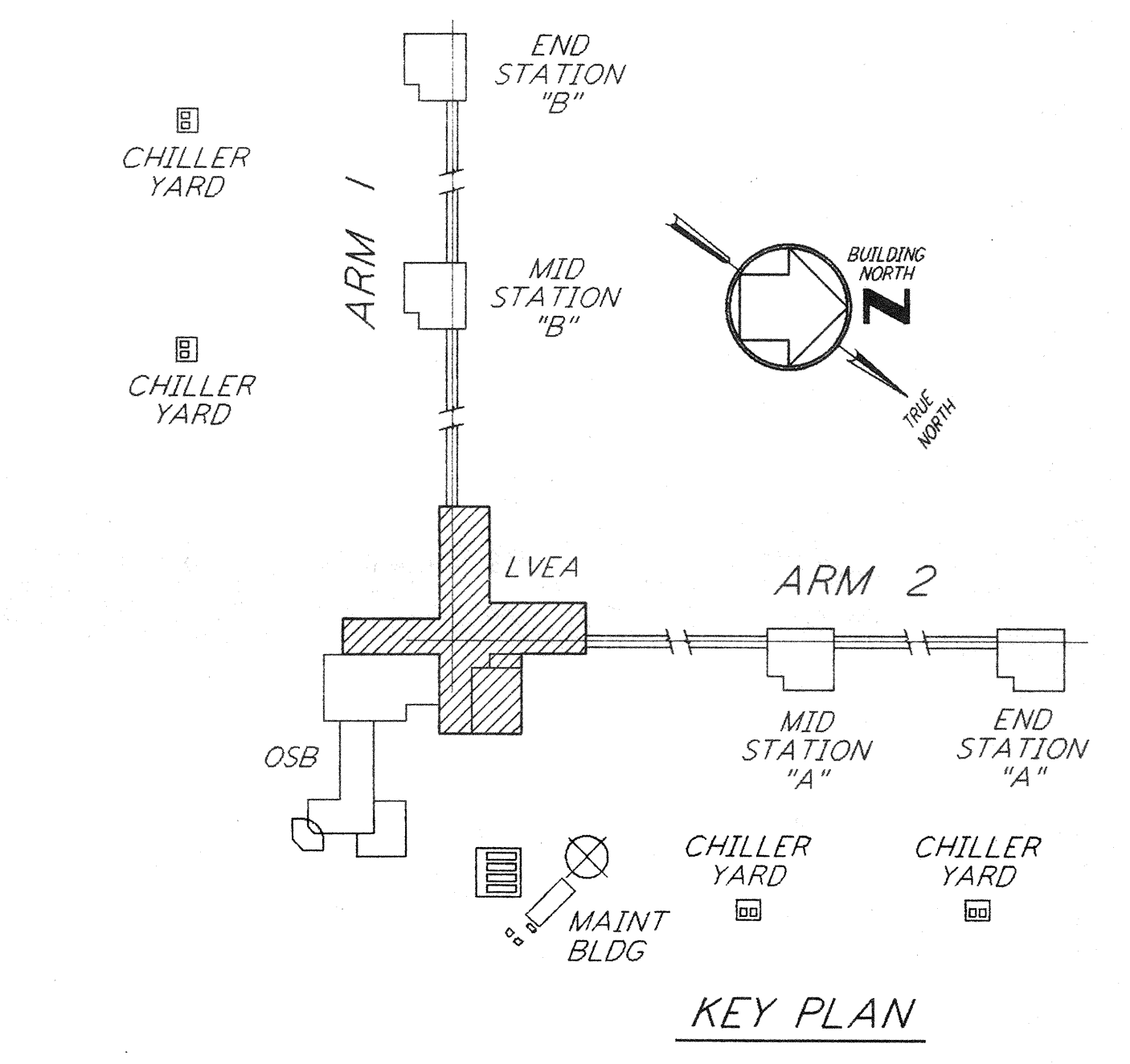


This document and the design it covers are the property of PARSONS. They are loaned only with the borrower's expressed written agreement that they will not be reproduced, copied, loaned, exhibited, or used in any other way, except by written consent from PARSONS to the borrower.



HOT AND COLD WATER DIAGRAM
NTS

WASTE AND VENT DIAGRAM
NTS

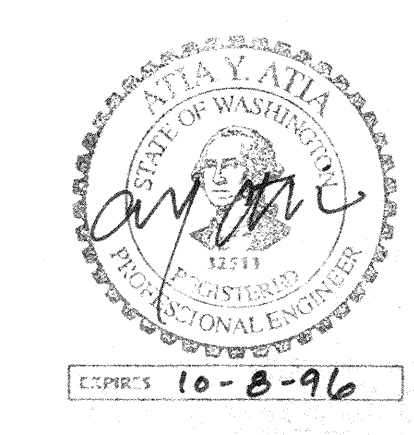


0 8 16 24 32 40 48 56 64 FT
 1/8" = 1'-0"

L160-0961200-00-07

DRAWING NO.	DESCRIPTION	NO.	DATE	BY	CHKD	ENGR	PROJ	DESCRIPTION

ISSUED FOR CONSTRUCTION	
DRAWN	DG 6-24-96
CHECKED	NR 7-9-96
ENGINEER	MH 7-9-96
PROJ	BLW 7/9/96



PARSONS
 100 WEST WALNUT STREET
 PASADENA, CALIFORNIA

LIGO
 CALIFORNIA INSTITUTE OF TECHNOLOGY
 MASSACHUSETTS INSTITUTE OF TECHNOLOGY

LASER INTERFEROMETER
 GRAVITATIONAL-WAVE OBSERVATORY
 SITE NO. 1 - HANFORD, WASHINGTON

PLUMBING
 CORNER STATION
 LVEA FLOOR PLAN

SCALE AS NOTED
 CONTRACT NUMBER PP150969
 PROJECT NUMBER 8094
 SHEET NUMBER
WA-P-511