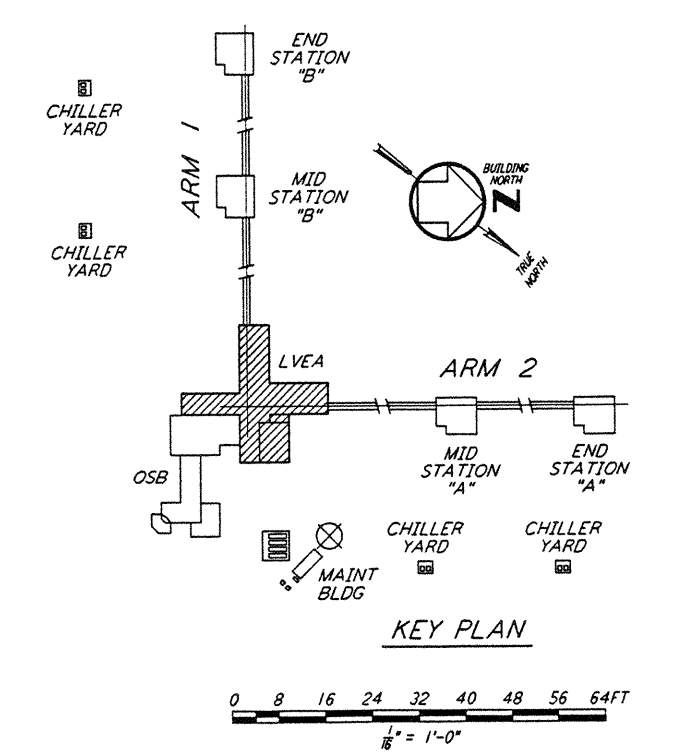
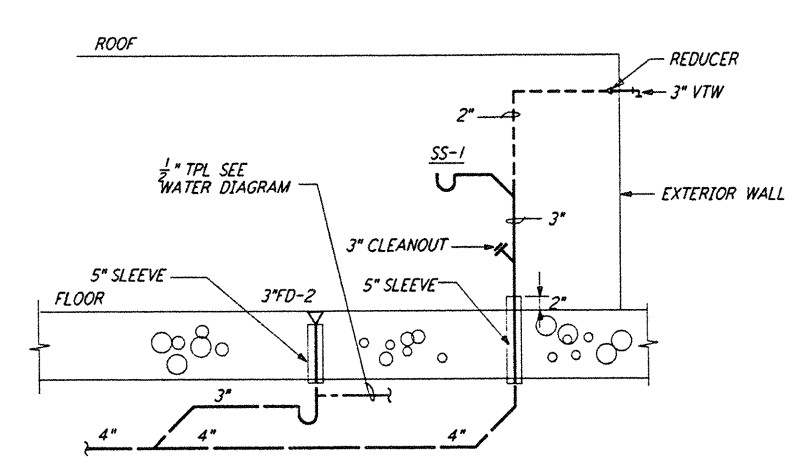
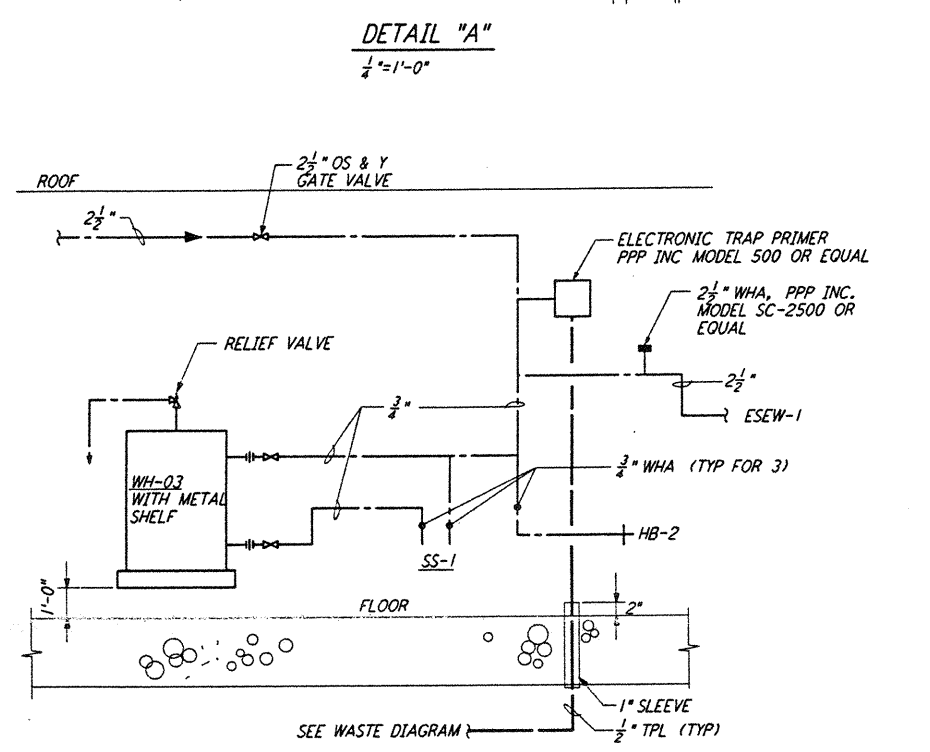
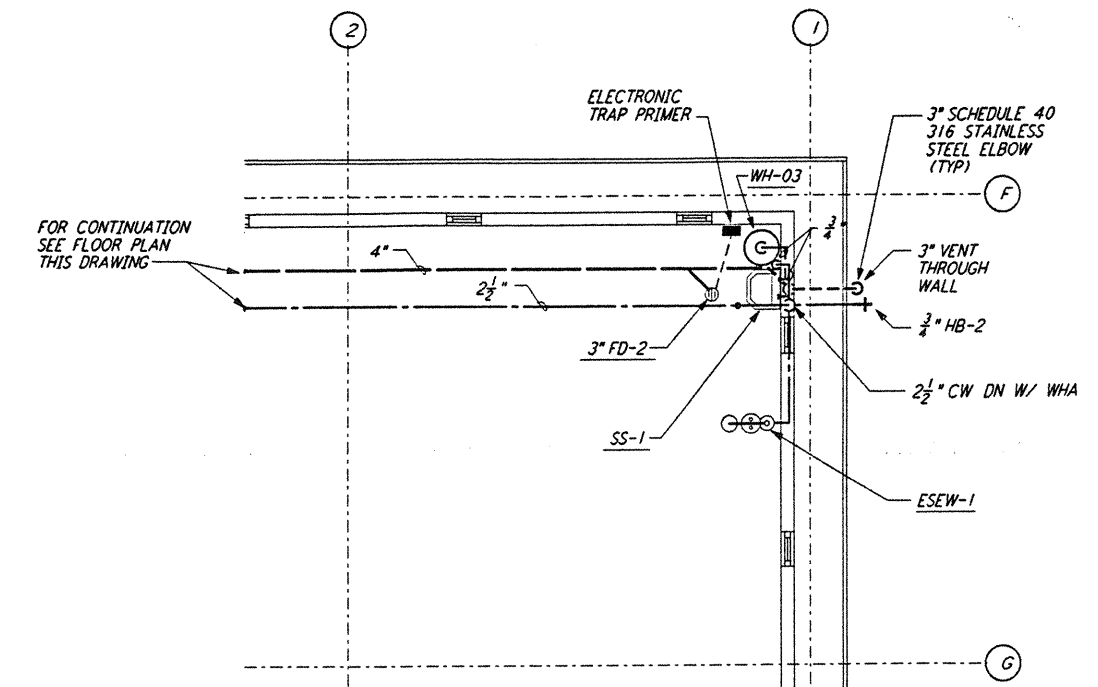
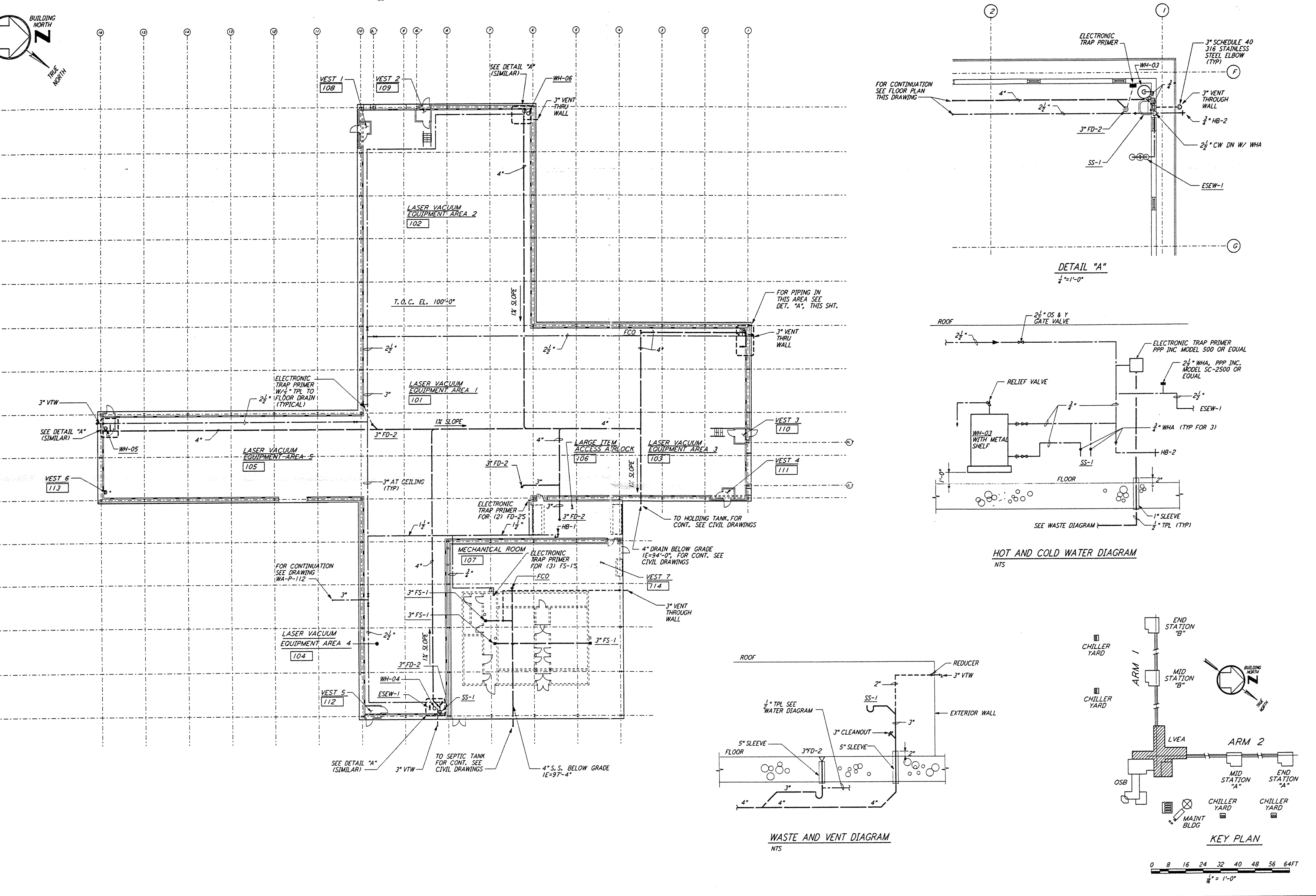


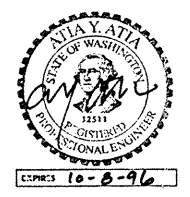
5 4 3 2



This document and the design it covers are the property of PARSONS. They are loaned only with the borrower's expressed written agreement that they will not be reproduced, copied, loaned, exhibited, or used in any other way, except by written consent from PARSONS to the borrower.

NO.	DATE	BY	CHKD	ENGR	PROJ	DESCRIPTION

ISSUED FOR CONSTRUCTION
 DRAWN DG 6-24-96
 CHECKED WAE 7-2-96
 ENGINEER WJW 7-2-96
 PROJ WJW 7/19/96



PARSONS
 100 WEST WALNUT STREET
 PASADENA, CALIFORNIA

LIGO
 CALIFORNIA INSTITUTE OF TECHNOLOGY
 MASSACHUSETTS INSTITUTE OF TECHNOLOGY

LASER INTERFEROMETER
 GRAVITATIONAL-WAVE OBSERVATORY
 SITE NO. 1 - HANFORD, WASHINGTON

PLUMBING
 CORNER STATION
 LVEA FLOOR PLAN

SCALE: AS NOTED
 CONTRACT NUMBER: PP150969
 PROJECT NUMBER: 8094
 SHEET NUMBER: **WA-P-511**