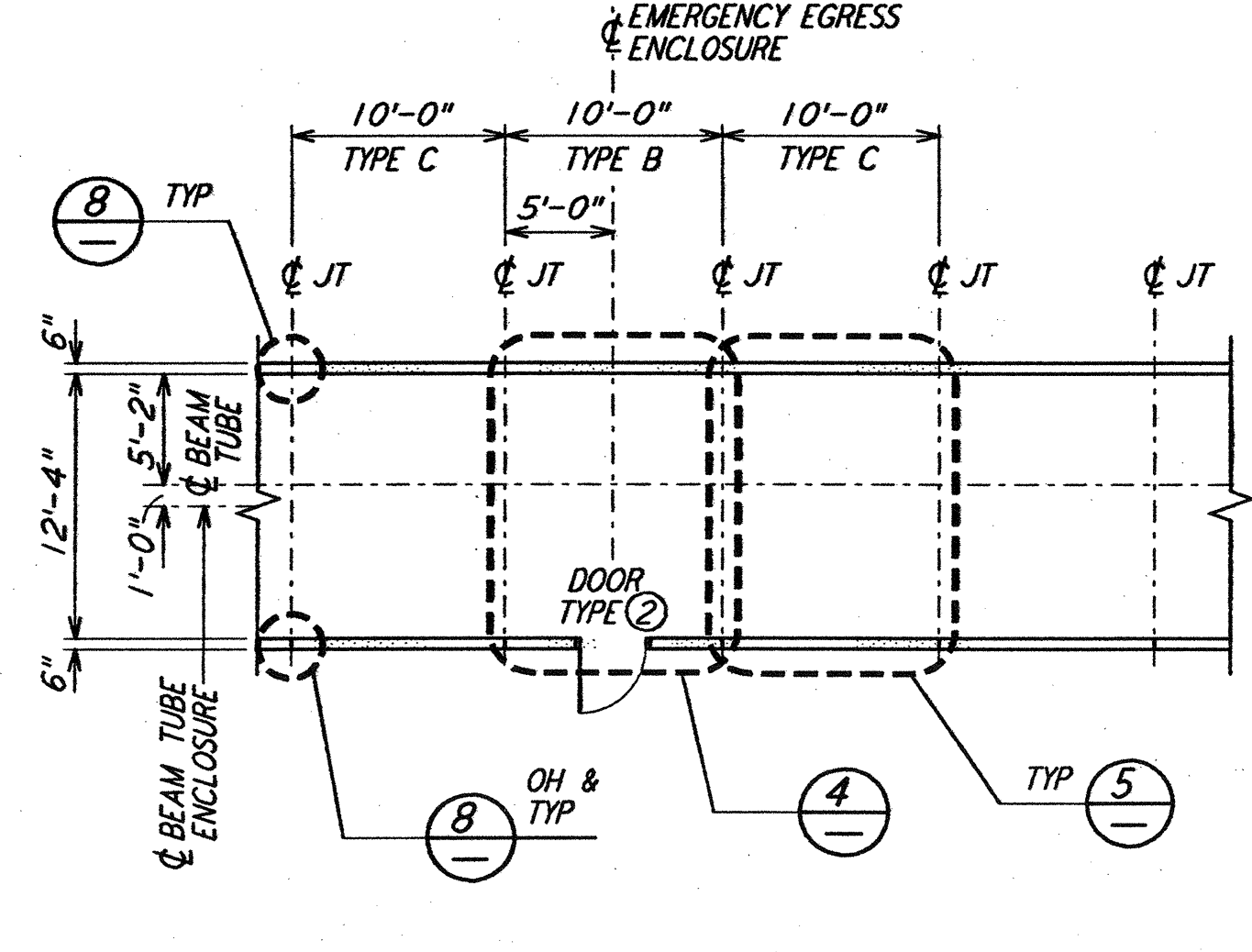
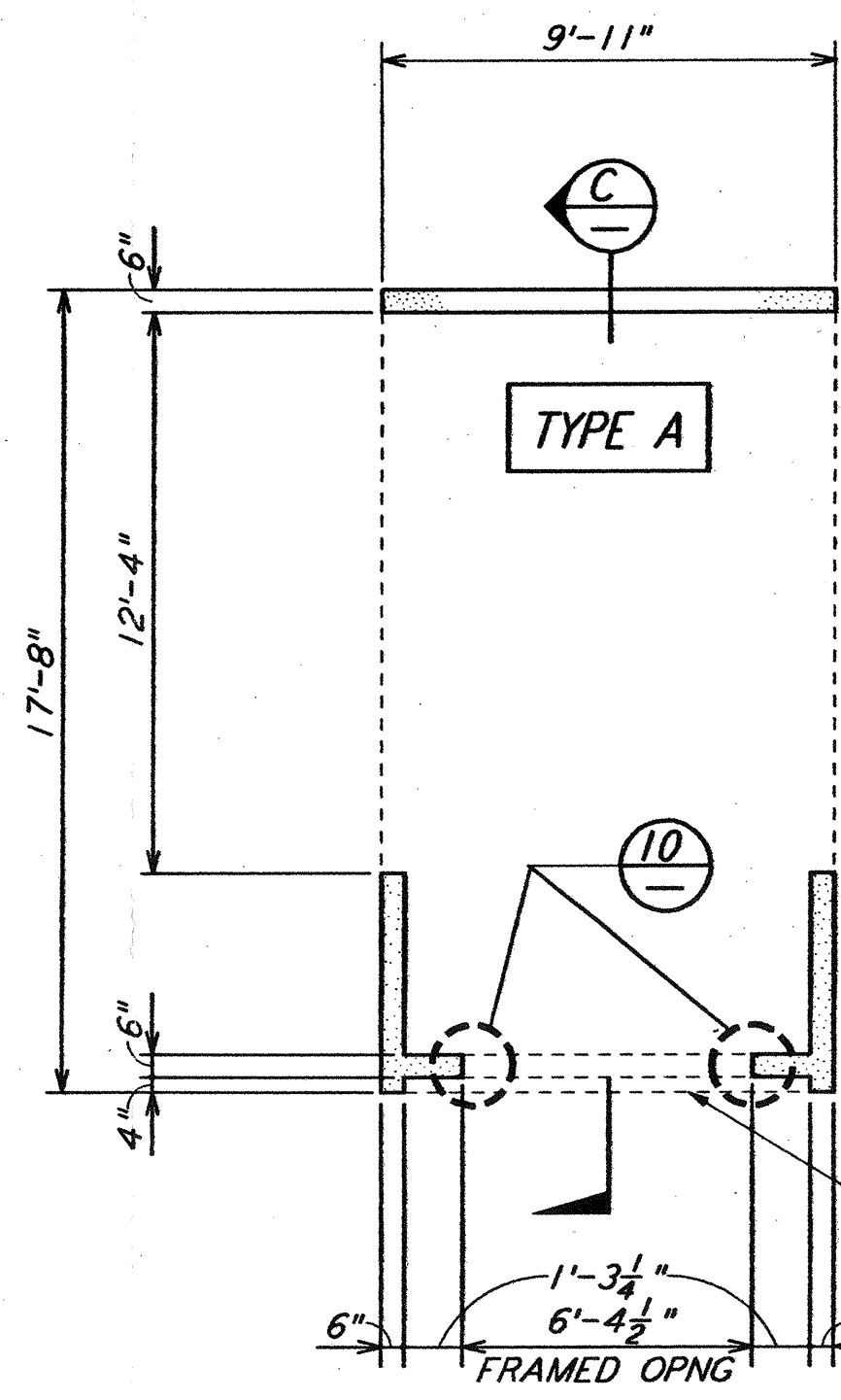


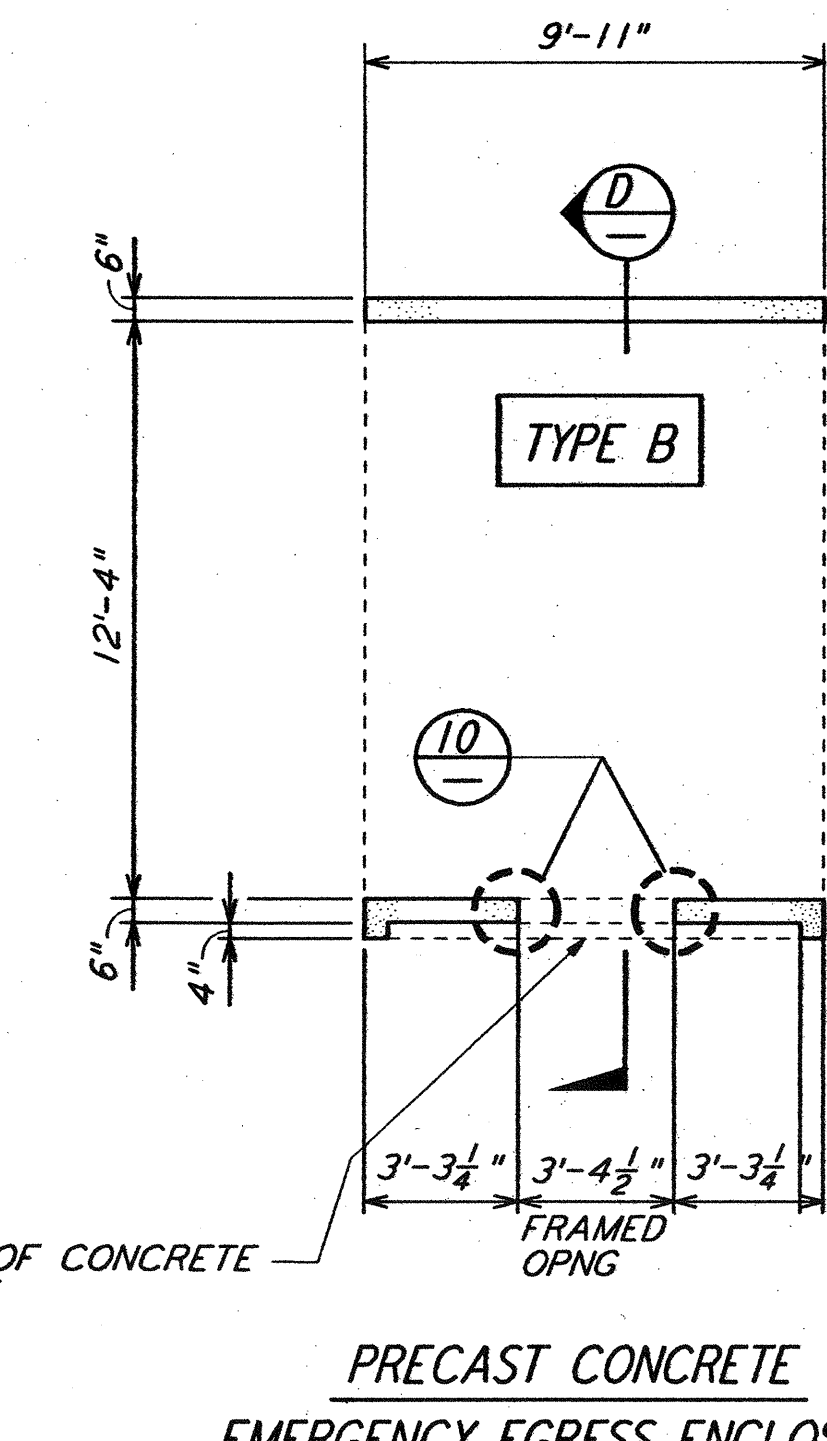
PLAN AT SERVICE ENTRANCE (1) REF
 1/4" = 1'-0" LA-S-503 LA-S-502



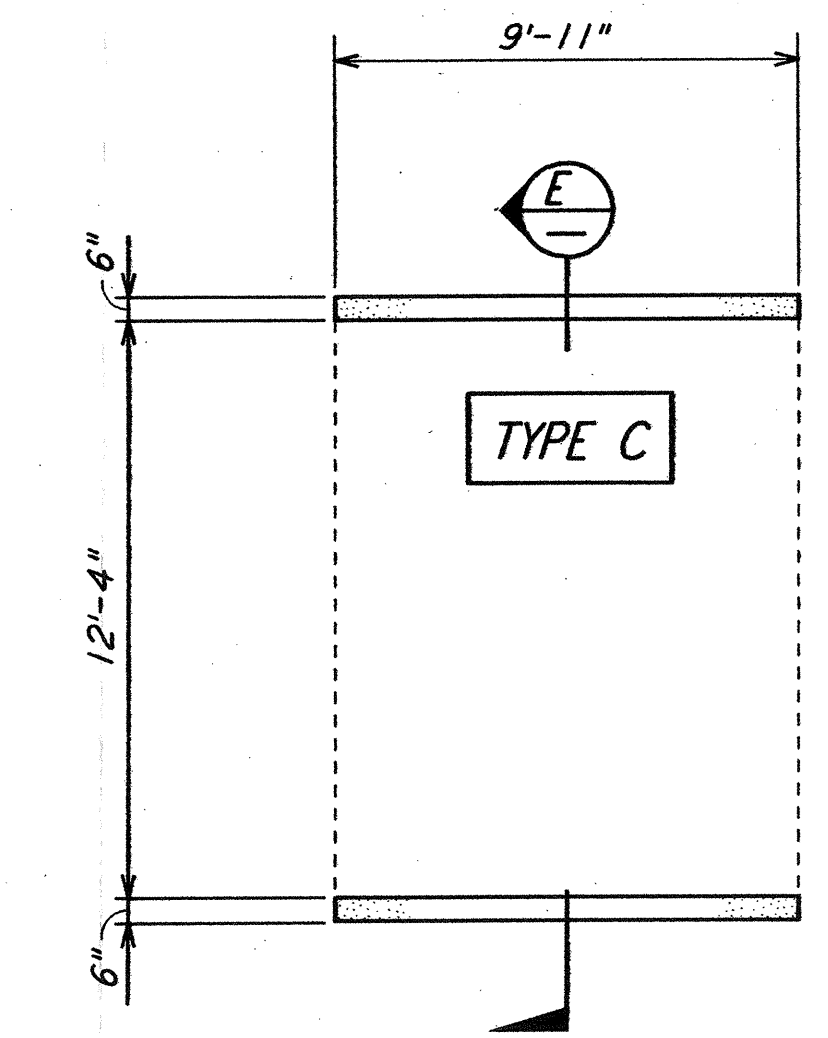
PLAN AT EMERGENCY EGRESS (2) REF
 1/4" = 1'-0" LA-S-503 LA-S-502



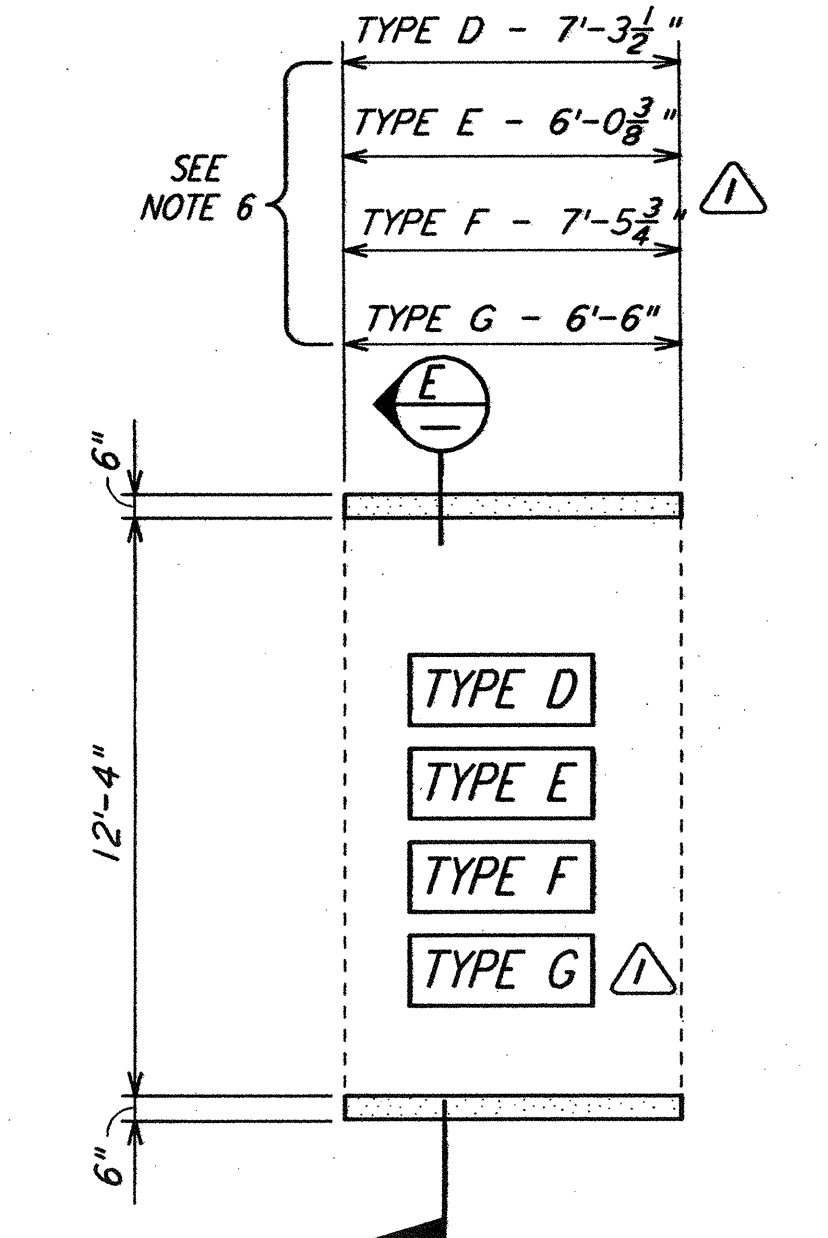
PRECAST CONCRETE SERVICE ENTRANCE ENCLOSURE DETAIL (3)
 1/4" = 1'-0"



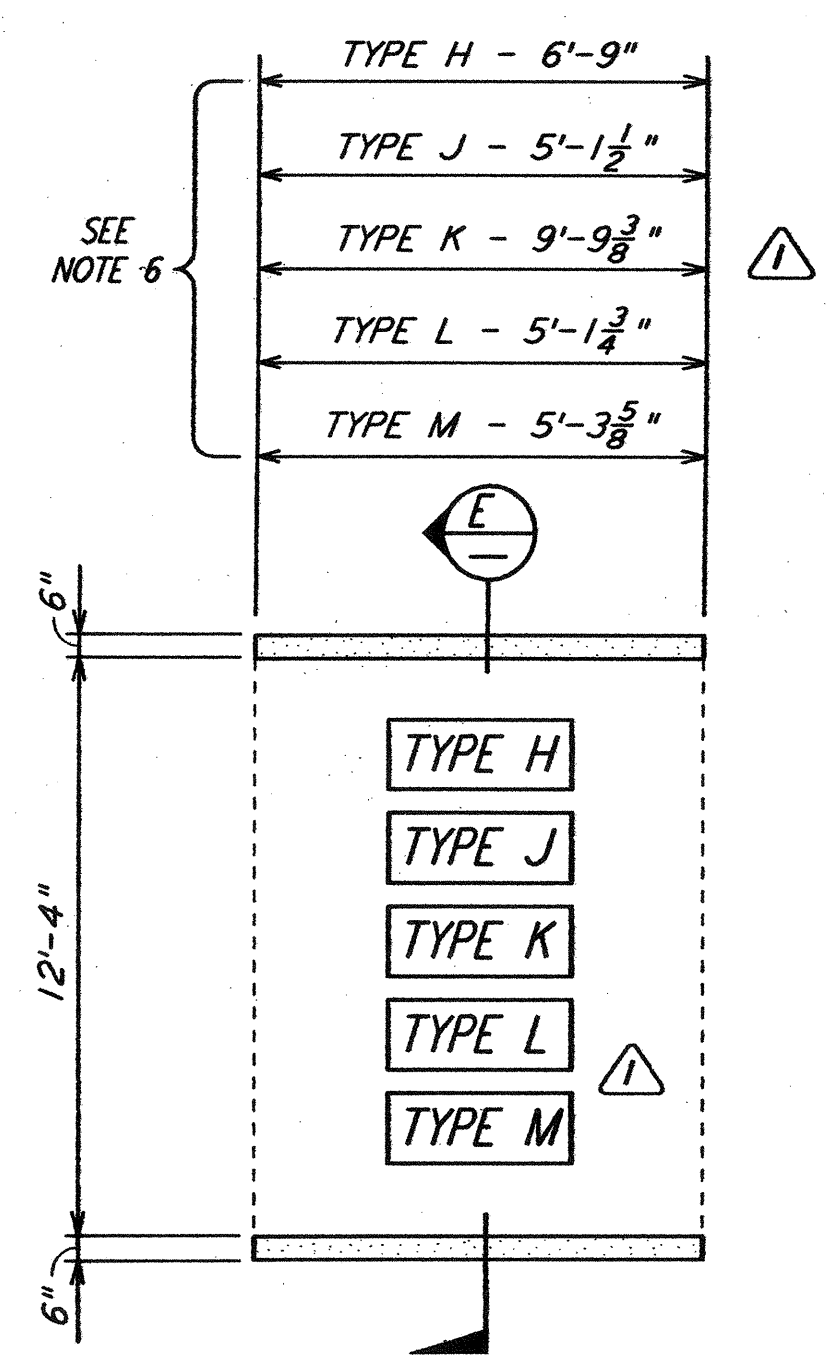
PRECAST CONCRETE EMERGENCY EGRESS ENCLOSURE DETAIL (4)
 1/4" = 1'-0"



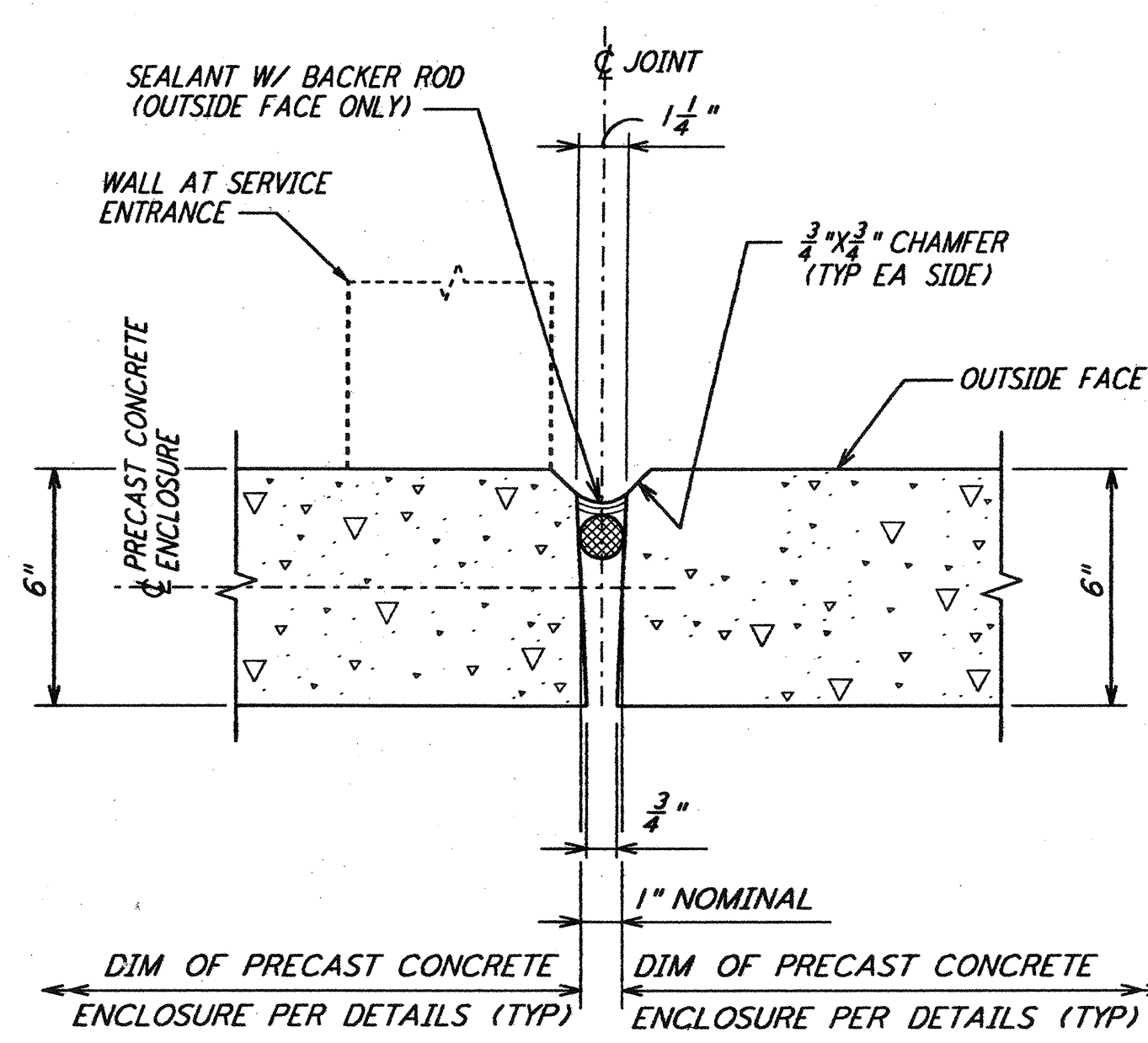
TYPICAL PRECAST CONCRETE ENCLOSURE DETAIL (5)
 1/4" = 1'-0"



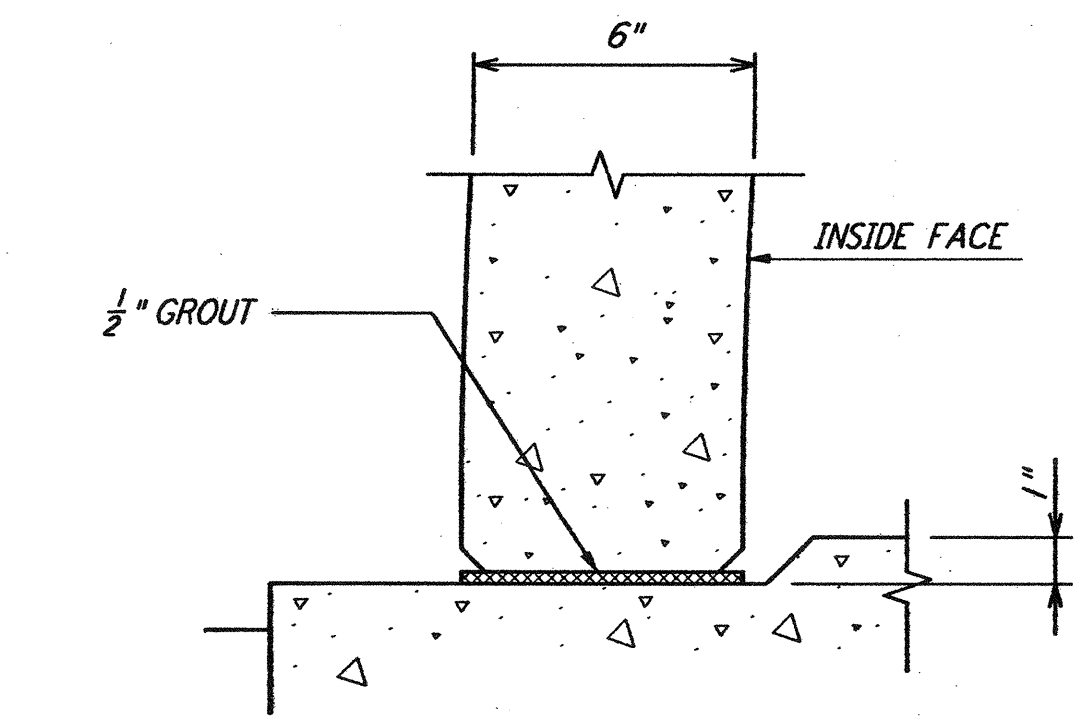
DETAIL (6) REF
 1/4" = 1'-0" LA-S-503 LA-S-502



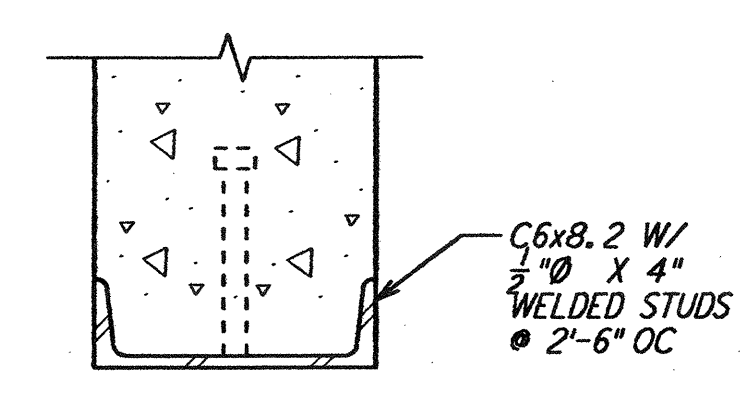
DETAIL (7) REF
 1/4" = 1'-0" LA-S-503 LA-S-502



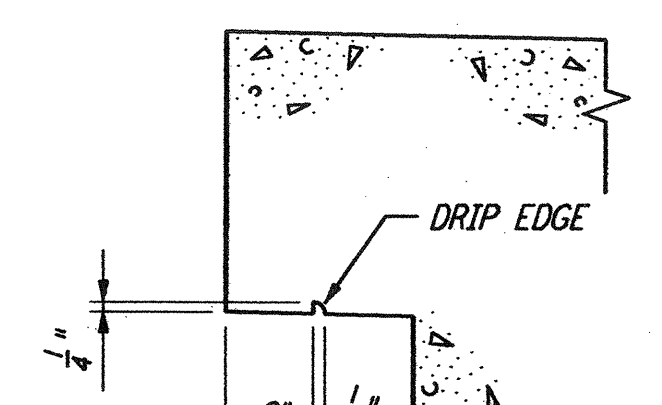
DETAIL (8)
 3" = 1'-0"



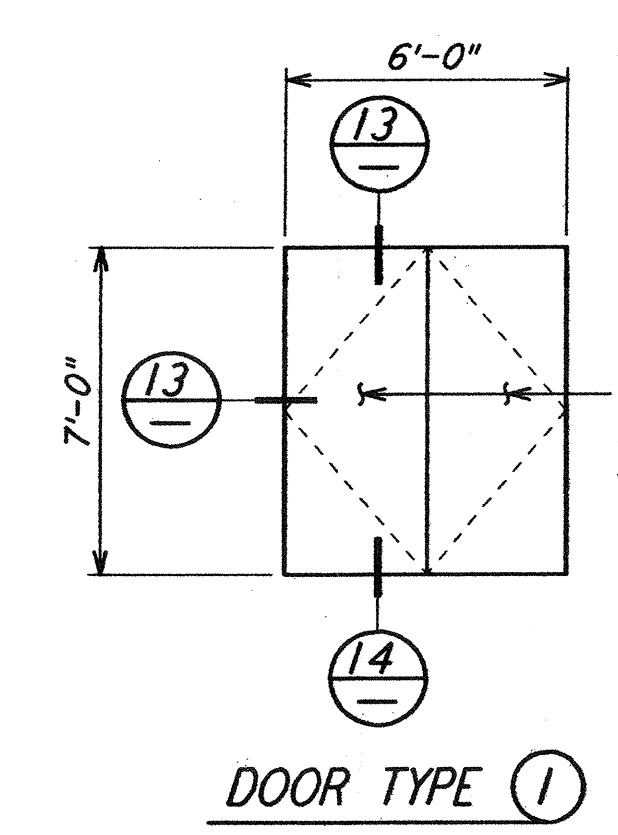
DETAIL (9)
 3" = 1'-0"



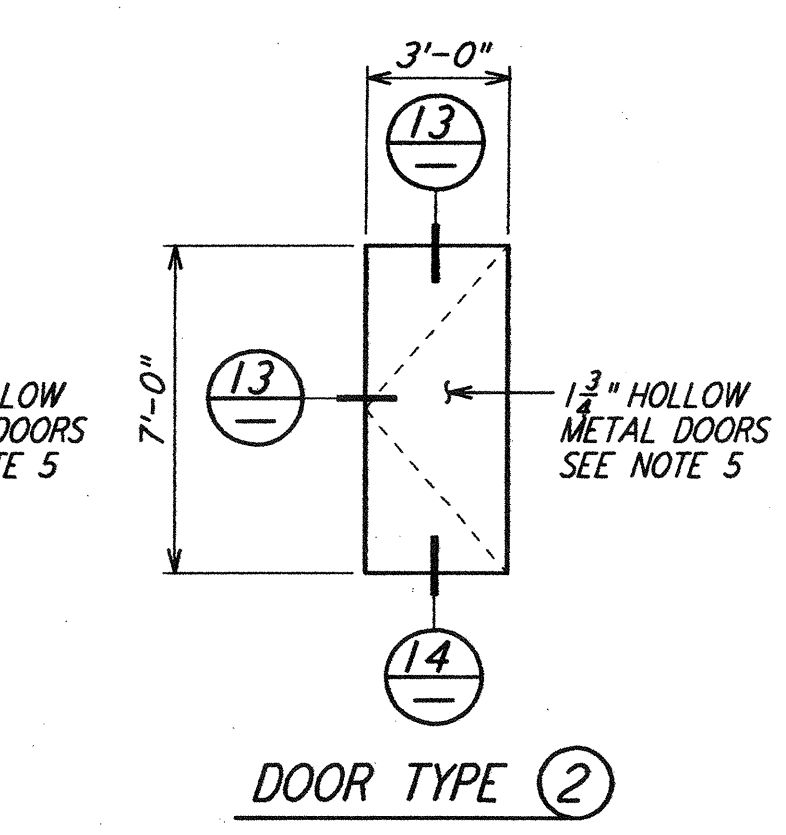
DETAIL (10)
 3" = 1'-0"



DETAIL (11)
 3" = 1'-0"

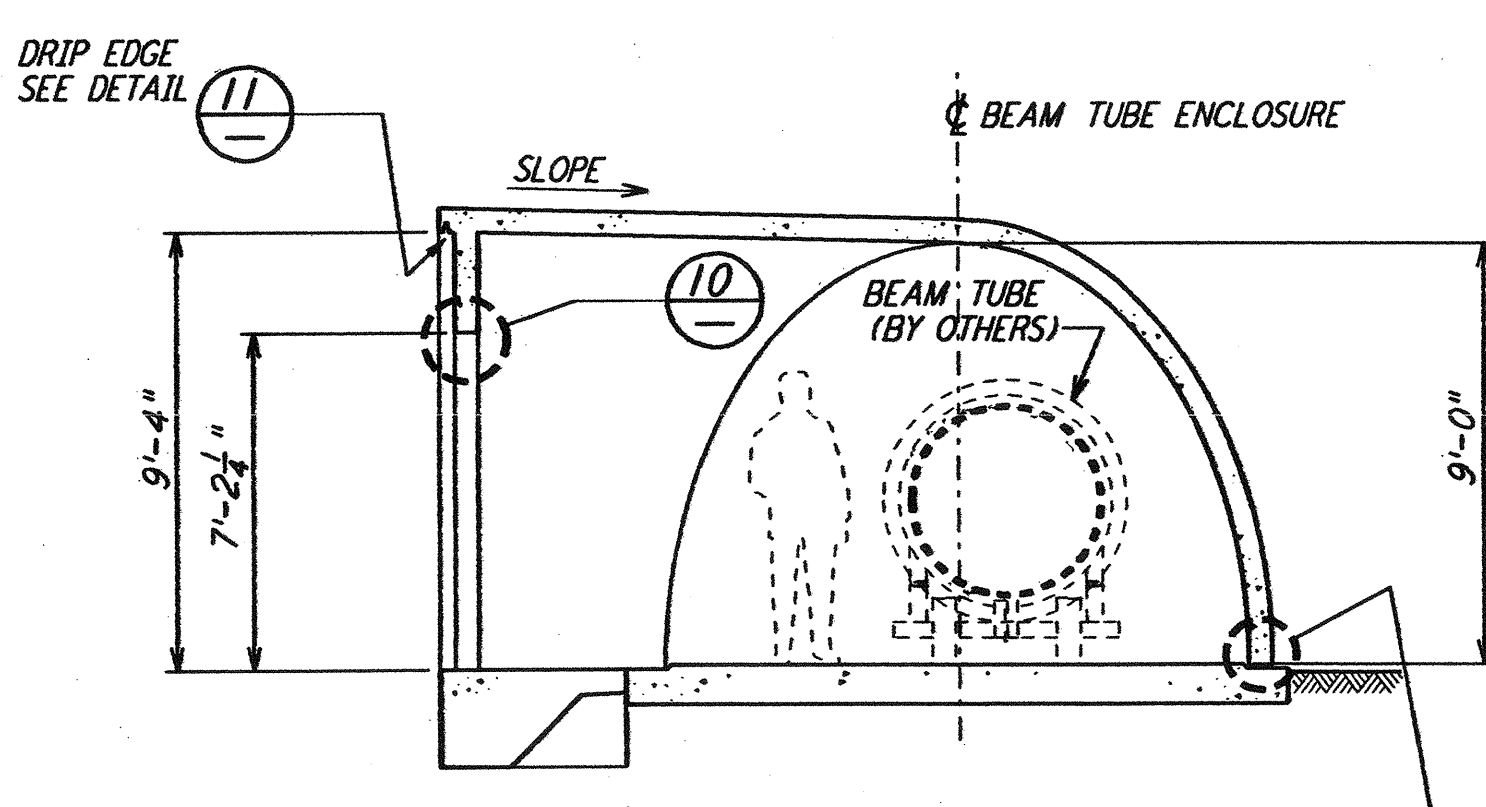


DOOR TYPE (1)

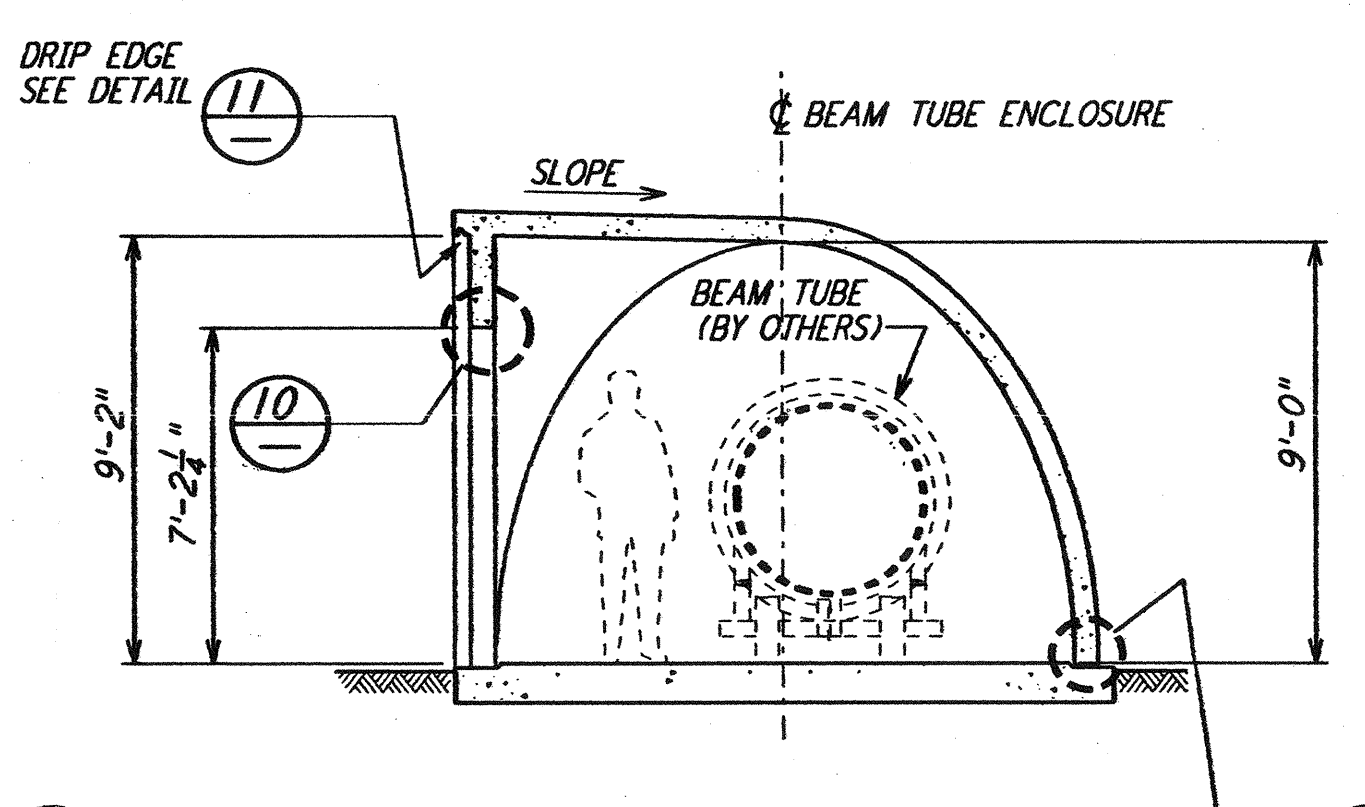


DOOR TYPE (2)

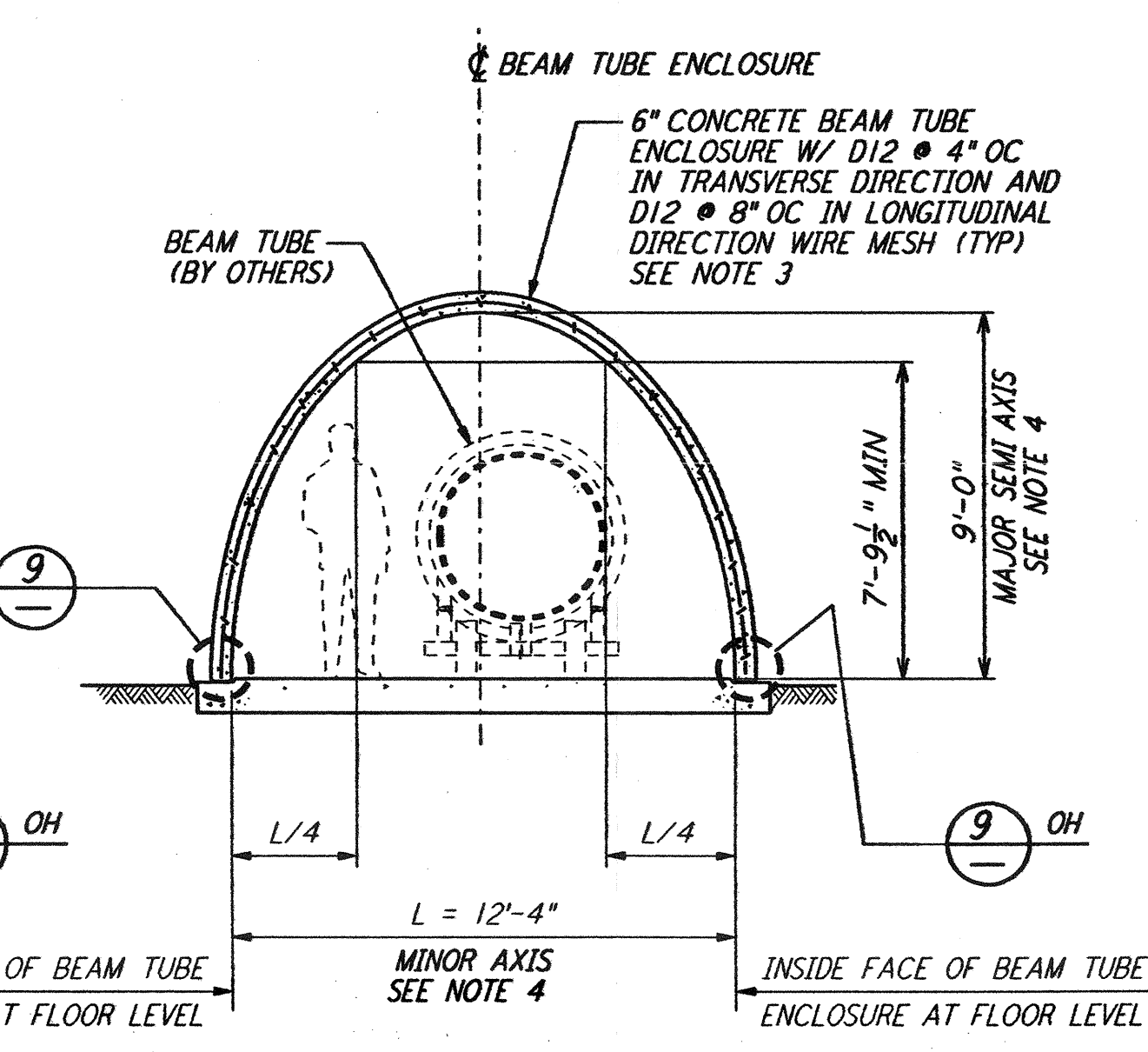
DOOR TYPES (12) NTS



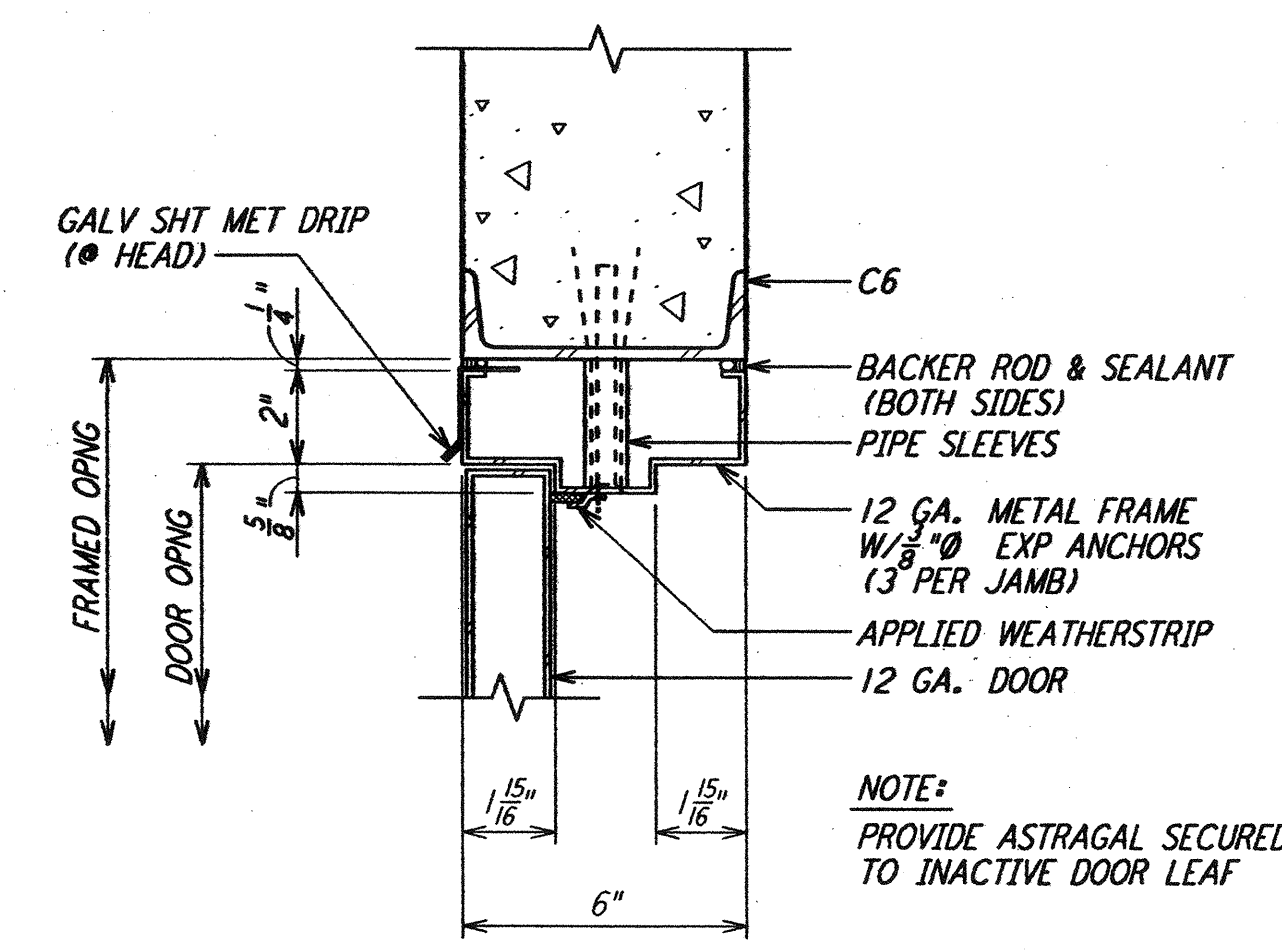
SECTION (C)
 1/4" = 1'-0"



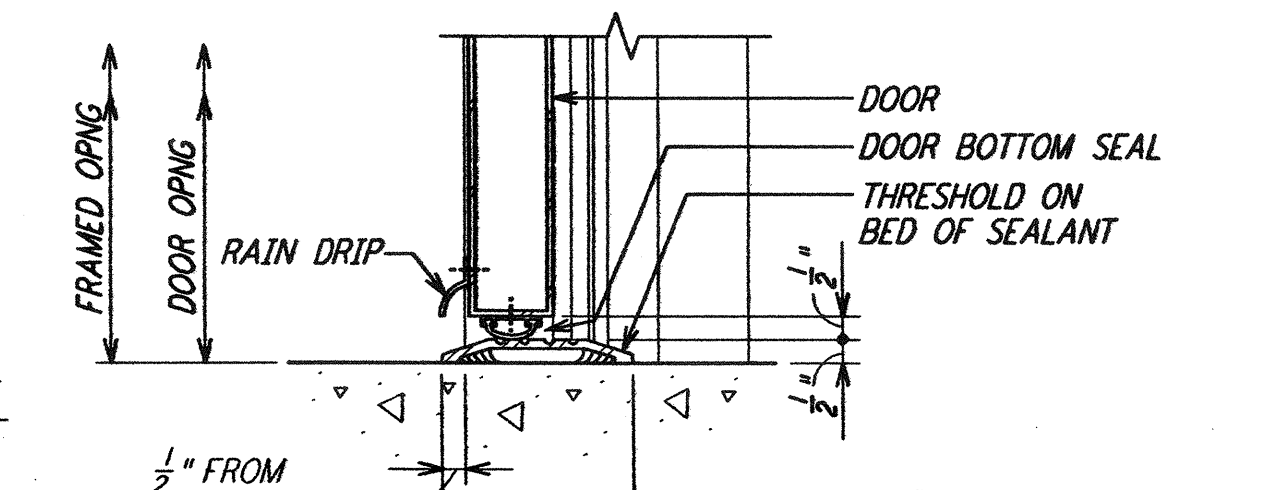
SECTION (D)
 1/4" = 1'-0"



SECTION (E)
 1/4" = 1'-0"

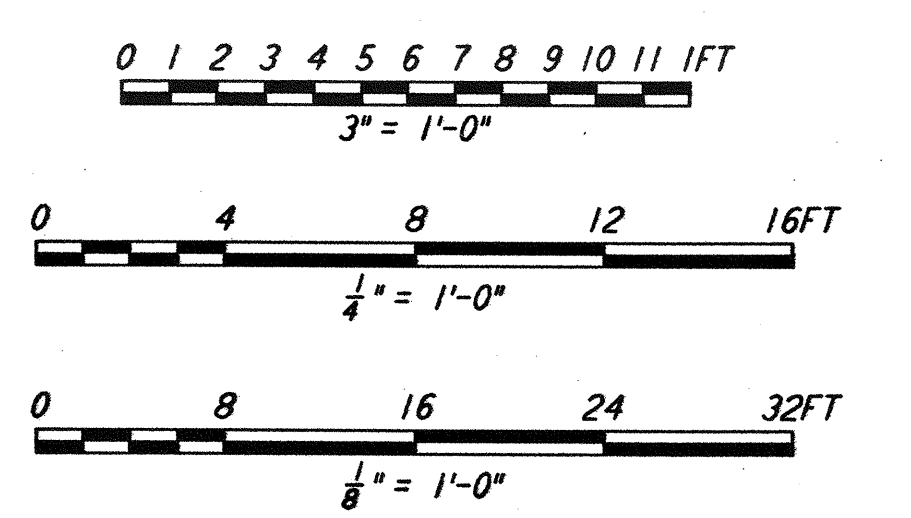


JAMB (HEAD SIM) DETAIL (13)
 3" = 1'-0"



SILL DETAIL (14)
 3" = 1'-0"

- NOTES:
- FOR GENERAL NOTES, ABBREVIATIONS AND LEGEND SEE DRAWING LA-S-501.
 - SPACERS SHALL BE ELIMINATED WHEN EXPANSION JOINT BETWEEN PRECAST SEGMENTS IS WITHIN 3 FEET FROM THE EXPANSION JOINT IN THE FOUNDATION SLAB.
 - REINFORCEMENT FOR ALL ELEMENTS OF PRECAST CONCRETE ENCLOSURES SHALL BE DESIGNED BY THE CONTRACTOR AND SHALL BE APPROVED BY THE CONSTRUCTION MANAGER. REINFORCEMENT SHOWN IS FOR BID PURPOSE ONLY.
 - DIMENSIONS ARE FOR A SEMI-ELLIPTICAL CROSS SECTION. CONTRACTOR MAY SLIGHTLY DEVIATE FROM THIS SHAPE PROVIDED ALL SHOWN DIMENSIONS AND CLEARANCES ARE SATISFIED.
 - ALL DOORS, DOOR HARDWARES AND INSTALLATION OF DOORS TO BEAM TUBE ENCLOSURE ARE INCLUDED IN THIS CONTRACT.



LIGO-D961238-02-0

NO.	DATE	BY	CHKD	ENGR	PROJ	DESCRIPTION
2	1-15-99	MET			MDW	ISSUED FOR AS BUILT
1	2-28-97	GP				REV DET 6 & 7; DELETED NOTE 6

ISSUED FOR CONSTRUCTION		
DRAWN	MCS	11-15-96
CHECKED	DDM	11-15-96
ENGINEER	BP	11-15-96
PROJ	TDM	11-15-96

AS-BUILT DRAWINGS

100 WEST WALNUT STREET
 PASADENA, CALIFORNIA

CALIFORNIA INSTITUTE OF TECHNOLOGY
 MASSACHUSETTS INSTITUTE OF TECHNOLOGY

LASER INTERFEROMETER
 GRAVITATIONAL-WAVE OBSERVATORY
 BEAM TUBE ENCLOSURE - LIVINGSTON, LA

TITLE	STRUCTURAL BEAM TUBE ENCLOSURE PLANS, SECTIONS & DETAILS	SHEET NUMBER	AS NOTED PPI50969	PROJECT NUMBER	8094
LA-S-503			REVISIONS		

This document and the design it covers are the property of PARSONS. They are loaned only with the borrower's expressed written agreement that they will not be reproduced, copied, loaned, exhibited, or used in any other way, except by written consent from PARSONS to the borrower.

Fri Jan 15 10:50:46 1999 C:\PLOT\JOB\53\3682.DWG 52895 K:\V3682\54503.dwg