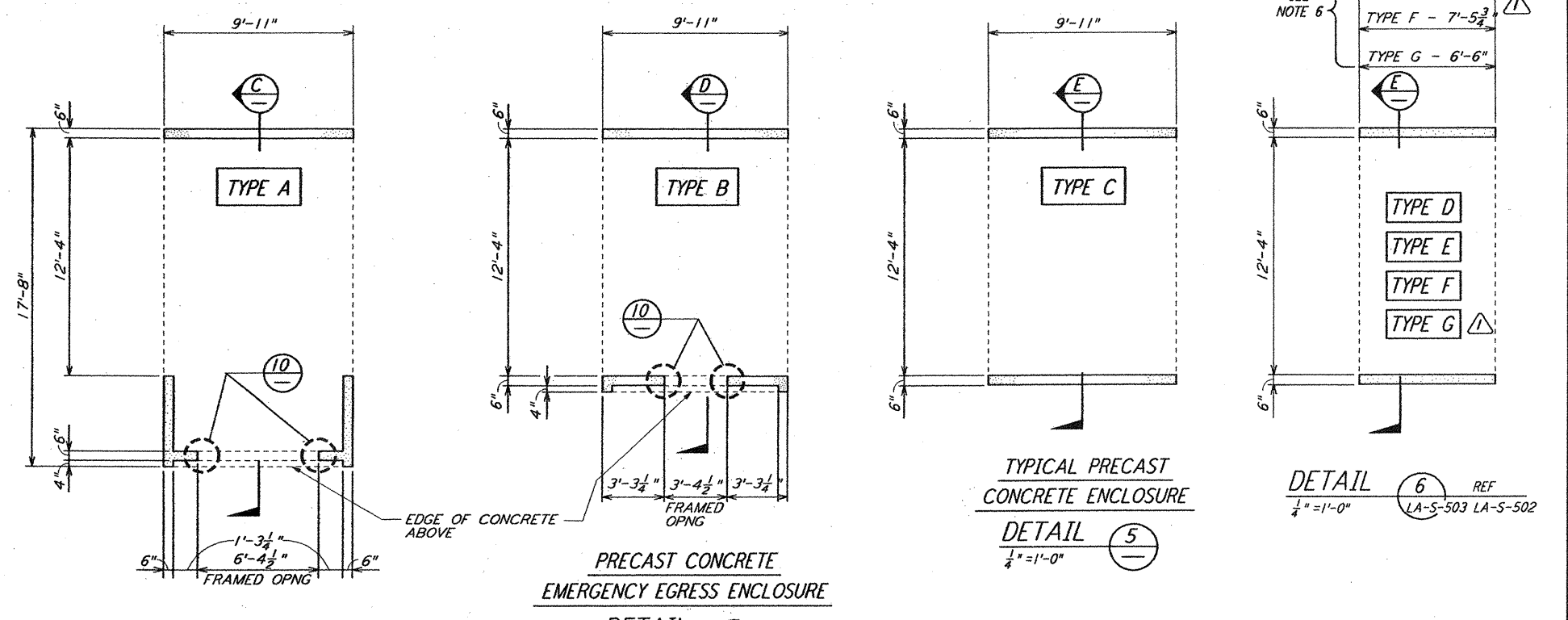


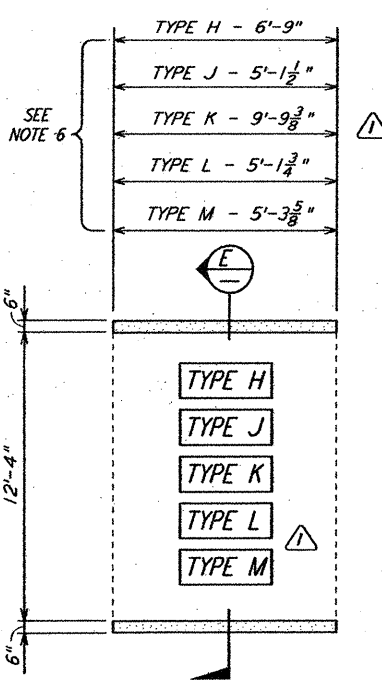
PLAN AT SERVICE ENTRANCE (1) REF LA-S-503 LA-S-502
 1/4" = 1'-0"

PLAN AT EMERGENCY EGRESS (2) REF LA-S-503 LA-S-502
 1/4" = 1'-0"

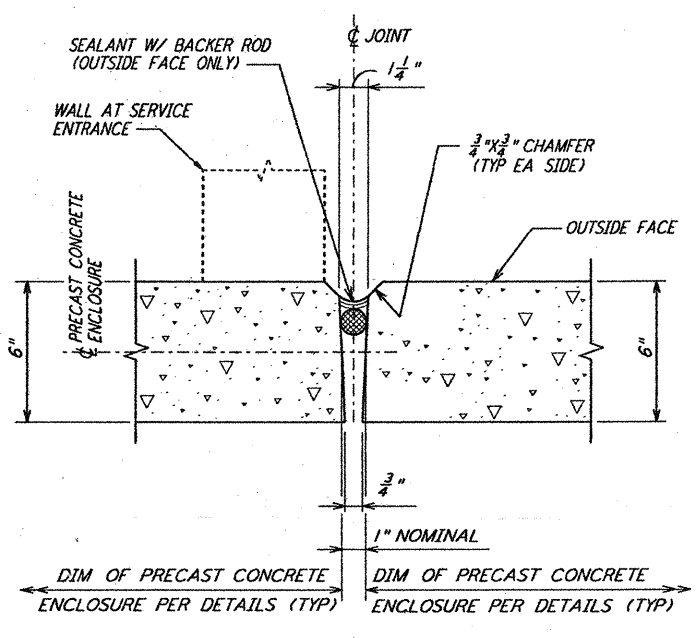


TYPICAL PRECAST CONCRETE ENCLOSURE DETAIL (5) REF LA-S-503 LA-S-502
 1/4" = 1'-0"

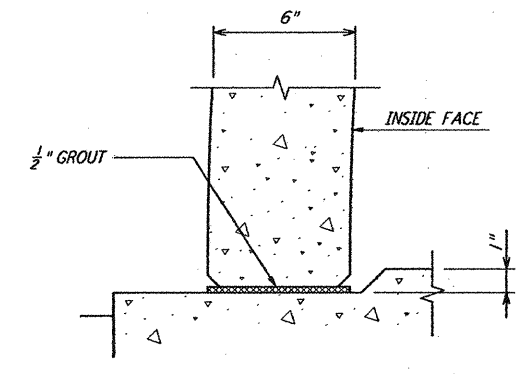
PRECAST CONCRETE EMERGENCY EGRESS ENCLOSURE DETAIL (4) REF LA-S-503 LA-S-502
 1/4" = 1'-0"



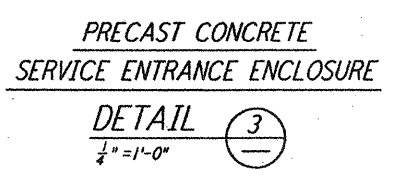
DETAIL (7) REF LA-S-503 LA-S-502
 1/4" = 1'-0"



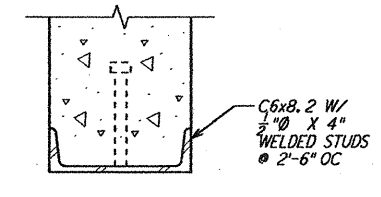
DETAIL (8) REF LA-S-503 LA-S-502
 3/4" = 1'-0"



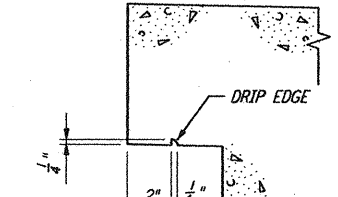
DETAIL (9) REF LA-S-503 LA-S-502
 3/4" = 1'-0"



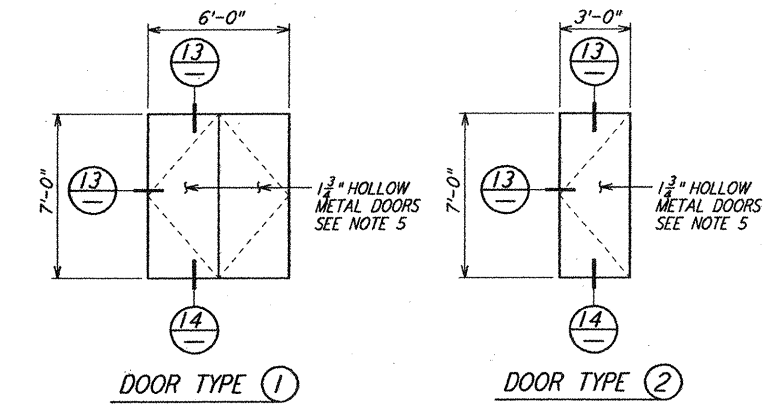
PRECAST CONCRETE SERVICE ENTRANCE ENCLOSURE DETAIL (3) REF LA-S-503 LA-S-502
 1/4" = 1'-0"



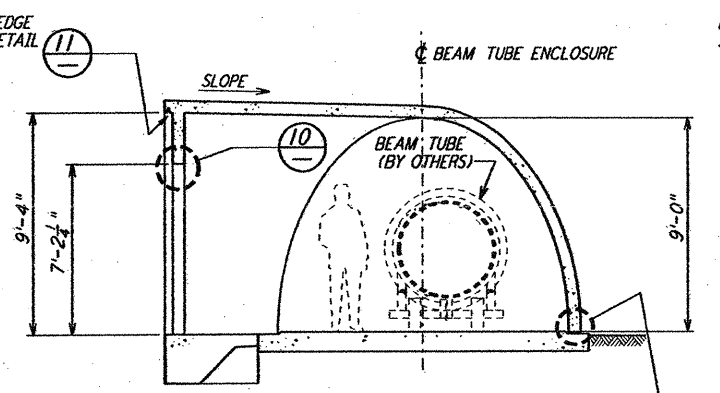
DETAIL (10) REF LA-S-503 LA-S-502
 3/4" = 1'-0"



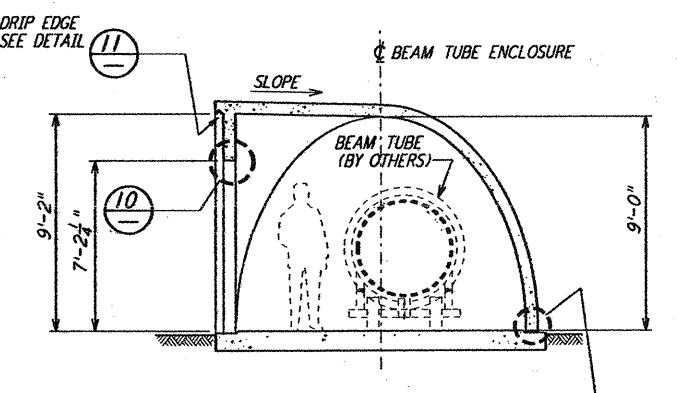
DETAIL (11) REF LA-S-503 LA-S-502
 3/4" = 1'-0"



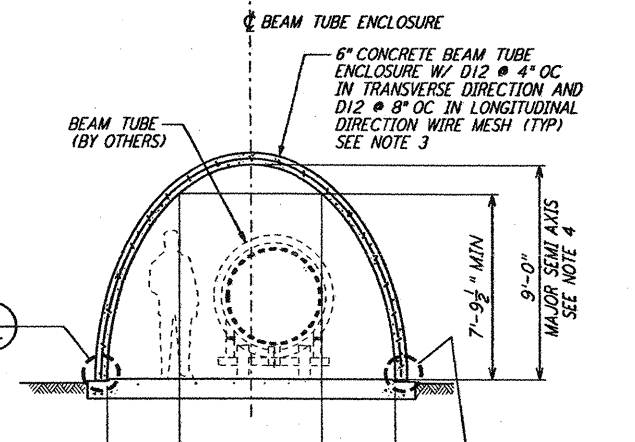
DOOR TYPES (12) NTS REF LA-S-503 LA-S-502



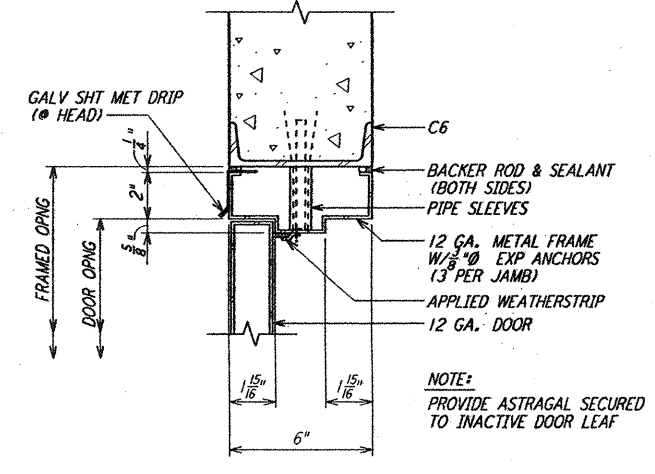
SECTION (C) REF LA-S-503 LA-S-502
 1/4" = 1'-0"



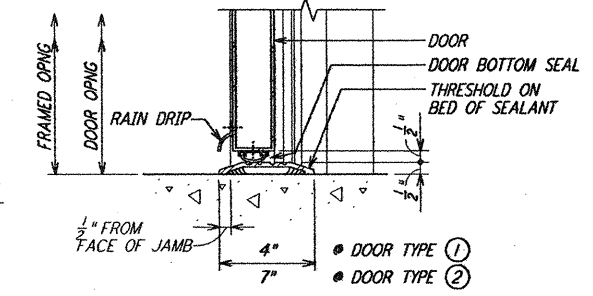
SECTION (D) REF LA-S-503 LA-S-502
 1/4" = 1'-0"



SECTION (E) REF LA-S-503 LA-S-502
 1/4" = 1'-0"

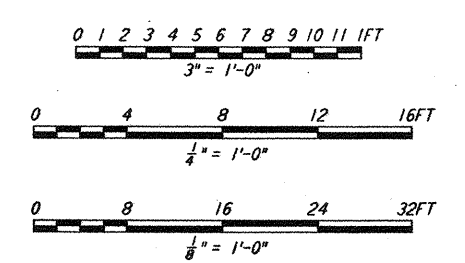


JAMB (HEAD SIM) DETAIL (13) REF LA-S-503 LA-S-502
 3/4" = 1'-0"



SILL DETAIL (14) REF LA-S-503 LA-S-502
 3/4" = 1'-0"

- NOTES:**
- FOR GENERAL NOTES, ABBREVIATIONS AND LEGEND SEE DRAWING LA-S-501.
 - SPACERS SHALL BE ELIMINATED WHEN EXPANSION JOINT BETWEEN PRECAST SEGMENTS IS WITHIN 3 FEET FROM THE EXPANSION JOINT IN THE FOUNDATION SLAB.
 - REINFORCEMENT FOR ALL ELEMENTS OF PRECAST CONCRETE ENCLOSURES SHALL BE DESIGNED BY THE CONTRACTOR AND SHALL BE APPROVED BY THE CONSTRUCTION MANAGER. REINFORCEMENT SHOWN IS FOR BID PURPOSE ONLY.
 - DIMENSIONS ARE FOR A SEMI-ELLIPTICAL CROSS SECTION. CONTRACTOR MAY SLIGHTLY DEVIATE FROM THIS SHAPE PROVIDED ALL SHOWN DIMENSIONS AND CLEARANCES ARE SATISFIED.
 - ALL DOORS, DOOR HARDWARES AND INSTALLATION OF DOORS TO BEAM TUBE ENCLOSURE ARE INCLUDED IN THIS CONTRACT.



LIGO-D961238-02-0

NO.	DATE	BY	CHKD	ENGR	PROJ	DESCRIPTION
1	1-15-99	MEJ			MDW	ISSUED FOR AS BUILT
2	2-28-97	GP				REV DET 6 & 7; DELETED NOTE 6

NO.	DATE	BY	CHKD	ENGR	PROJ	DESCRIPTION
1	11-15-96	MCS				ISSUED FOR CONSTRUCTION
2	11-15-96	DDM				CHECKED
3	11-15-96	BP				ENGINEER
4	11-15-96	TDM				PROJ

AS-BUILT DRAWINGS

PARSONS
 100 WEST WALNUT STREET
 PASADENA, CALIFORNIA

LIGO
 CALIFORNIA INSTITUTE OF TECHNOLOGY
 MASSACHUSETTS INSTITUTE OF TECHNOLOGY

LASER INTERFEROMETER GRAVITATIONAL-WAVE OBSERVATORY BEAM TUBE ENCLOSURE - LIVINGSTON, LA

TITLE	SCALE	CONTRACT NUMBER	PROJECT NUMBER
STRUCTURAL BEAM TUBE ENCLOSURE PLANS, SECTIONS & DETAILS	AS NOTED	PP150969	8094
DRAWING NO.	DESCRIPTION	NO.	DATE
LA-S-503			

This document and the design it covers are the property of PARSONS. They are loaned only with the consent of PARSONS to the borrower. It is not to be reproduced, copied, loaned, exhibited, or used in any other way, except by written consent from PARSONS to the borrower.

7/1 Jan 15 10:58:46 1999 C:\VPL\DT\QUE\53\3882.DWG 52885 K:\V3882\45029.prf LIGOLF.BOR