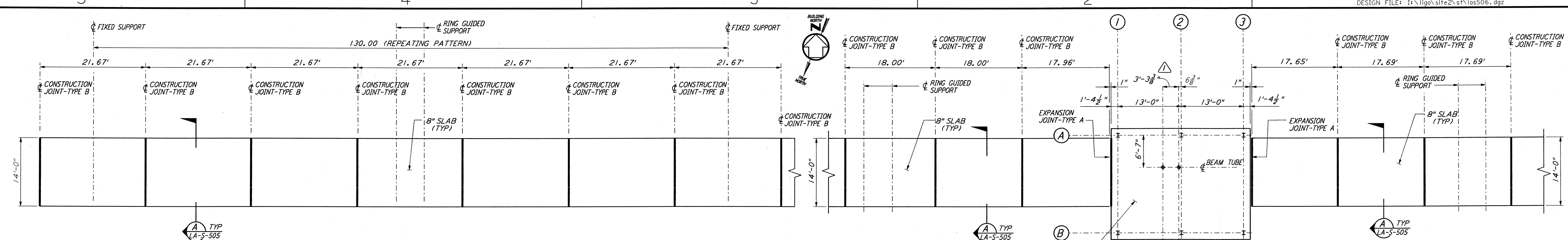


This document and the design it covers are the property of PARSONS. They are loaned only with the borrower's expressed written agreement that they will not be reproduced, copied, loaned, exhibited, or used in any other way, except by written consent from PARSONS to the borrower.

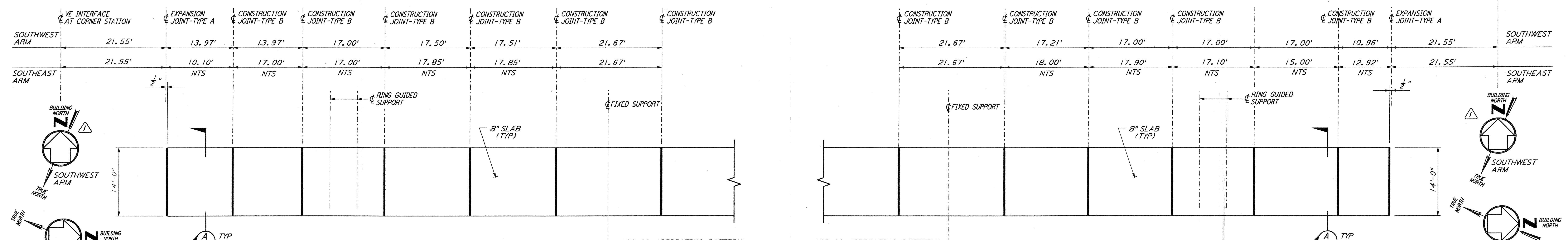


TYPICAL SLAB LAYOUT BETWEEN 130' REPEATING SUPPORT PATTERN

DETAIL 1 REF
 $\frac{1}{8}'' = 1'-0''$ LA-S-506 LA-S-504

SLAB AT MID STATION ON SOUTHWEST ARM

DETAIL 2 REF
 $\frac{1}{8}'' = 1'-0''$ LA-S-506 LA-S-504 LA-S-505

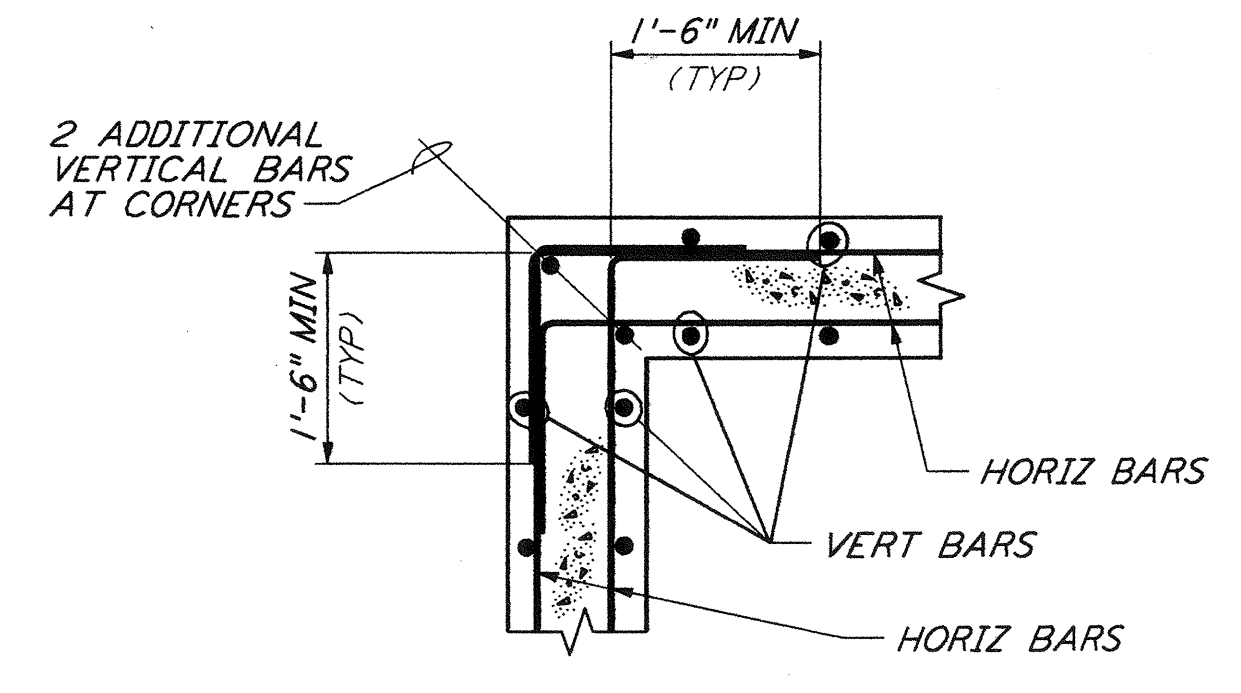


TYPICAL SLAB AT CORNER STATION

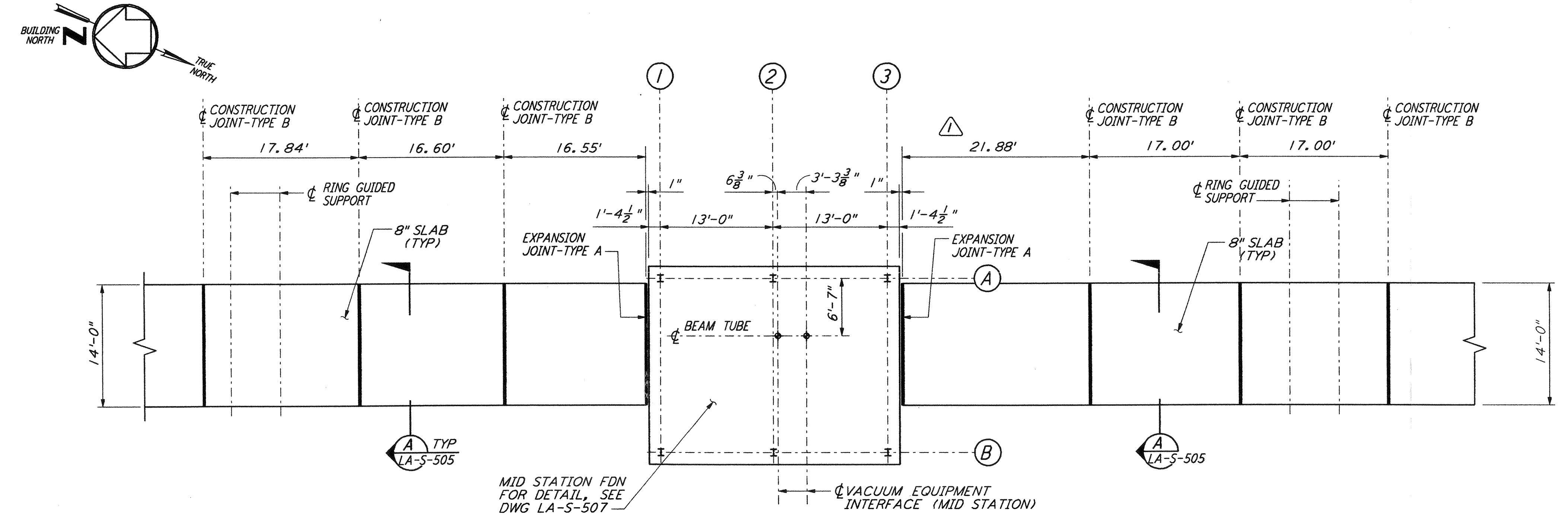
DETAIL 3 REF
 $\frac{1}{8}'' = 1'-0''$ LA-S-506 LA-S-504 LA-S-505 LA-S-504A

TYPICAL SLAB AT END STATION

DETAIL 4 REF
 $\frac{1}{8}'' = 1'-0''$ LA-S-506 LA-S-504 LA-S-505 LA-S-504A



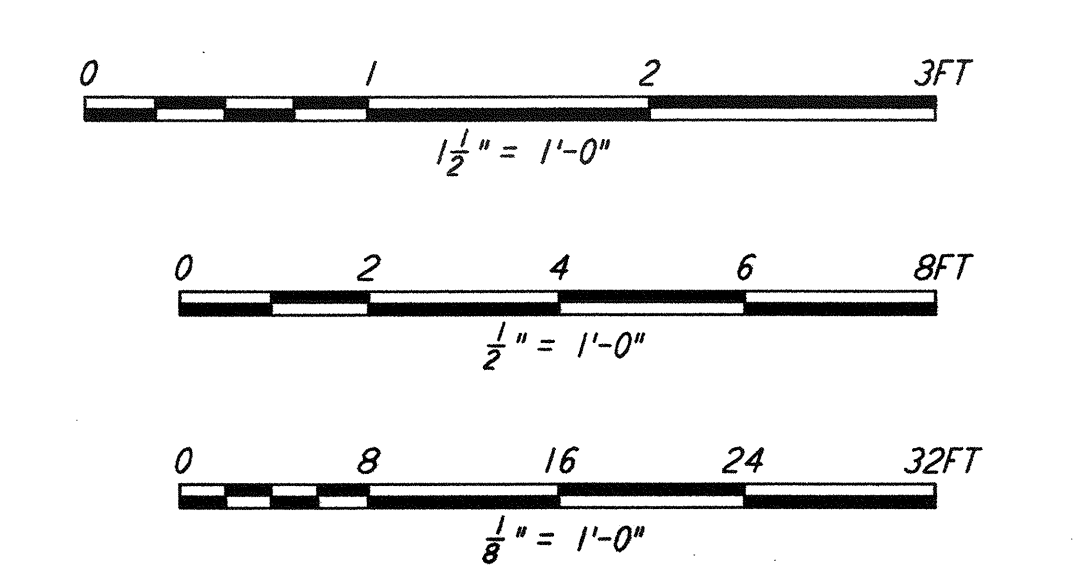
DETAIL 6 REF
 $\frac{3}{4}'' = 1'-0''$ LA-S-506 LA-S-505



SLAB AT MID STATION ON SOUTHEAST ARM

DETAIL 7 REF
 $\frac{1}{8}'' = 1'-0''$ LA-S-506 LA-S-504 LA-S-505 LA-S-504A

NOTE:
 1. FOR GENERAL NOTES, ABBREVIATIONS AND LEGEND SEE DRAWING LA-S-501.



LIGO-D961241-02-O

NO.	DATE	BY	CHKD	ENGR	PROJ	DESCRIPTION
1	2-28-97	GP				ISSUED FOR AS BUILT REV DIMS & REF AT DET 2, 3, 4 & 7
2	1-15-99	MEI			MDW	ISSUED FOR CONSTRUCTION

ISSUED FOR CONSTRUCTION	MCS	11-15-96
DRAWN	DDM	11-15-96
CHECKED	BP	11-15-96
ENGINEER	TDM	11-15-96
PROJ		

AS-BUILT DRAWINGS

PARSONS
 100 WEST WALNUT STREET
 PASADENA, CALIFORNIA

LIGO
 CALIFORNIA INSTITUTE OF TECHNOLOGY
 MASSACHUSETTS INSTITUTE OF TECHNOLOGY

LASER INTERFEROMETER
 GRAVITATIONAL-WAVE OBSERVATORY
 BEAM TUBE ENCLOSURE - LIVINGSTON, LA

TITLE	STRUCTURAL BEAM TUBE ENCLOSURE SECTIONS & DETAILS SHEET 2	SCALE	AS NOTED	CONTRACT NUMBER	PPI50969	PROJECT NUMBER	8094
SHEET NUMBER			LA-S-506		REVISIONS		

I:\lgo\site2\stn\lgs506.dwg 52065 K:\V0682\stn506.dwg