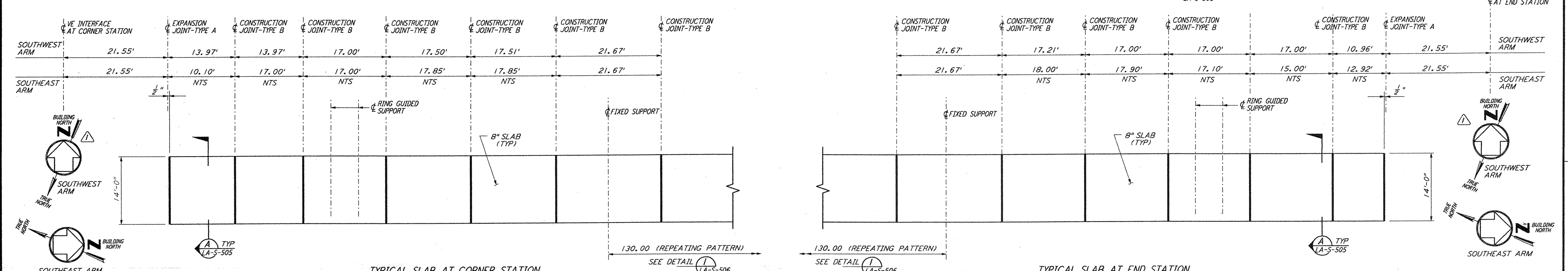


TYPICAL SLAB LAYOUT BETWEEN 130' REPEATING SUPPORT PATTERN

DETAIL 1 REF  
 $\frac{1}{8}'' = 1'-0''$  LA-S-506 LA-S-504

DETAIL 2 REF  
 $\frac{1}{8}'' = 1'-0''$  LA-S-506 LA-S-504 LA-S-505

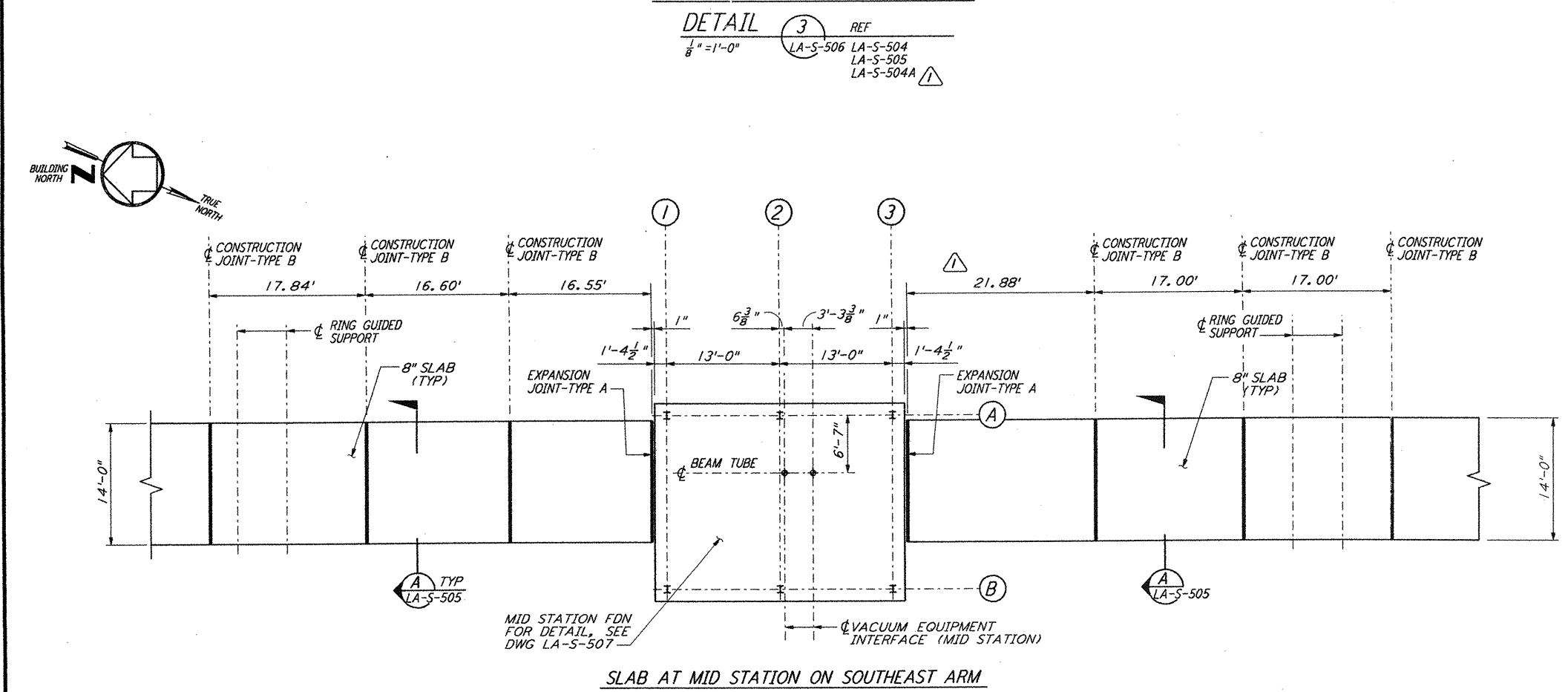


TYPICAL SLAB AT CORNER STATION

DETAIL 3 REF  
 $\frac{1}{8}'' = 1'-0''$  LA-S-506 LA-S-504 LA-S-505 LA-S-504A

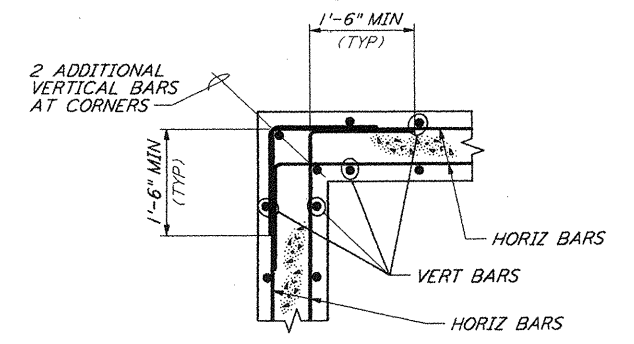
TYPICAL SLAB AT END STATION

DETAIL 4 REF  
 $\frac{1}{8}'' = 1'-0''$  LA-S-506 LA-S-504 LA-S-505 LA-S-504A



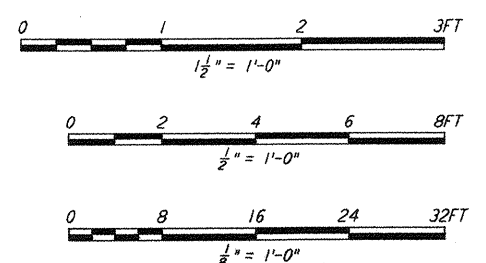
SLAB AT MID STATION ON SOUTHEAST ARM

DETAIL 7 REF  
 $\frac{1}{8}'' = 1'-0''$  LA-S-506 LA-S-504 LA-S-505 LA-S-504A



DETAIL 6 REF  
 $\frac{1}{8}'' = 1'-0''$  LA-S-506 LA-S-505

NOTE:  
 1. FOR GENERAL NOTES, ABBREVIATIONS AND LEGEND SEE DRAWING LA-S-501.



LIGO-D961241-02-0

NO.	DATE	BY	CHKD	ENGR	PROJ	DESCRIPTION
2	1-15-99	MEJ			MDW	ISSUED FOR AS BUILT
1	2-29-97	GP				REV DIMS & REF AT DET 2, 3, 4 & 7

ISSUED FOR CONSTRUCTION	MCS	11-15-96
DRAWN	DDM	11-15-96
CHECKED	BP	11-15-96
ENGINEER	TDM	11-15-96
PROJ		

**AS-BUILT DRAWINGS**

**PARSONS**  
 100 WEST WALNUT STREET  
 PASADENA, CALIFORNIA

**LIGO**  
 CALIFORNIA INSTITUTE OF TECHNOLOGY  
 MASSACHUSETTS INSTITUTE OF TECHNOLOGY

LASER INTERFEROMETER  
 GRAVITATIONAL-WAVE OBSERVATORY  
 BEAM TUBE ENCLOSURE - LIVINGSTON, LA

TITLE	STRUCTURAL BEAM TUBE ENCLOSURE SECTIONS & DETAILS SHEET 2	SCALE	AS NOTED	CONTRACT NUMBER	PP150969	PROJECT NUMBER	8094
SHEET NUMBER	LA-S-506	REVISIONS					

This document and the design it covers are the property of PARSONS. They are loaned only with the borrower's expressed written agreement that they will not be reproduced, copied, loaned, exhibited, or used in any other way, except by written consent from PARSONS to the borrower.

I:\ligo\slr\2\slr\lso506.dwg  
 11-15-96 10:54:07 11-15-96 10:54:07