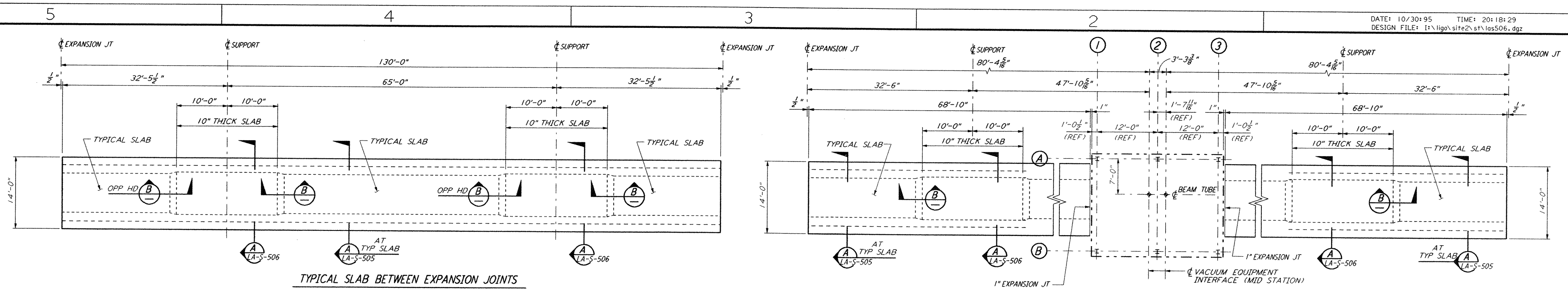
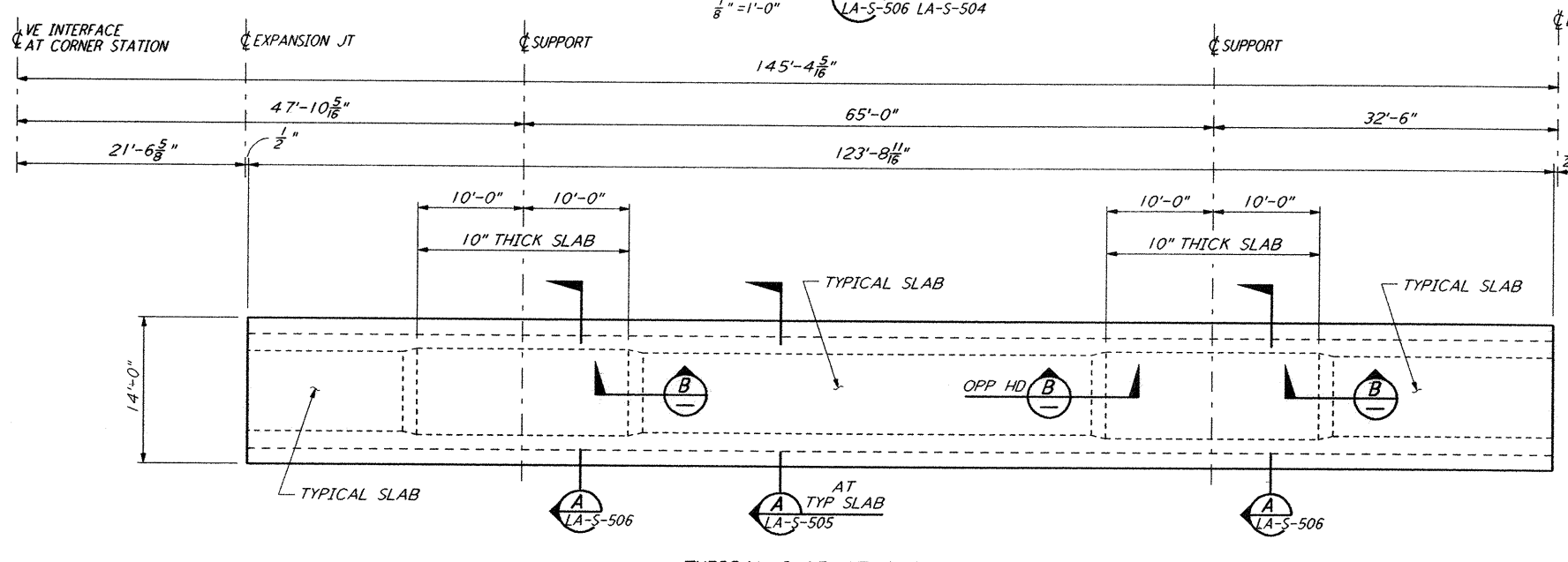


This document and the design it covers are the property of PARSONS. They are loaned only with the borrower's expressed written agreement that they will not be reproduced, copied, loaned, exhibited, or used in any other way, except by written consent from PARSONS to the borrower.



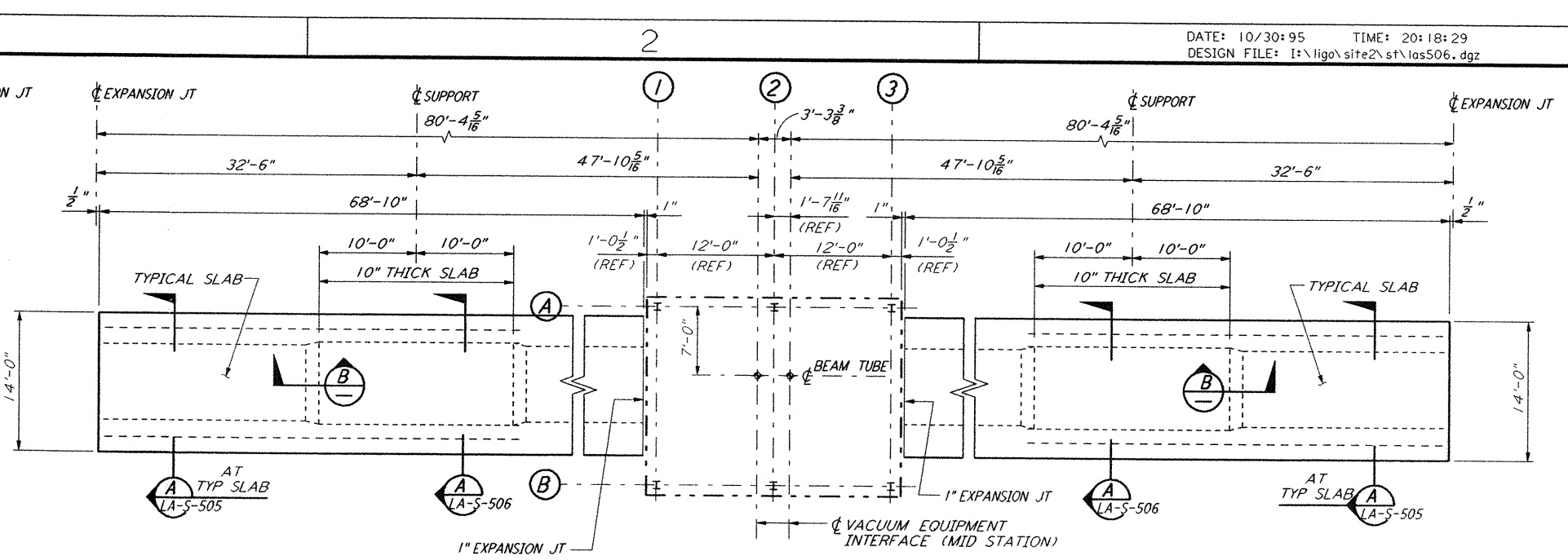
TYPICAL SLAB BETWEEN EXPANSION JOINTS

DETAIL 1 REF LA-S-506 LA-S-504



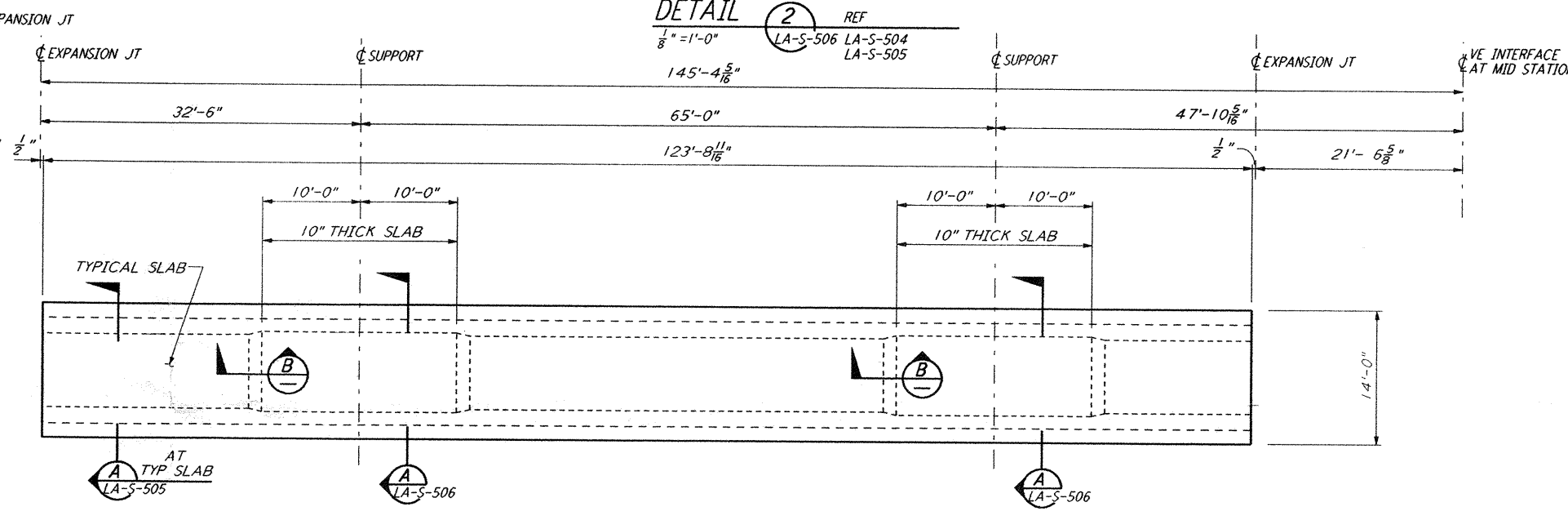
TYPICAL SLAB AT CORNER STATION

DETAIL 3 REF LA-S-506 LA-S-504 LA-S-505



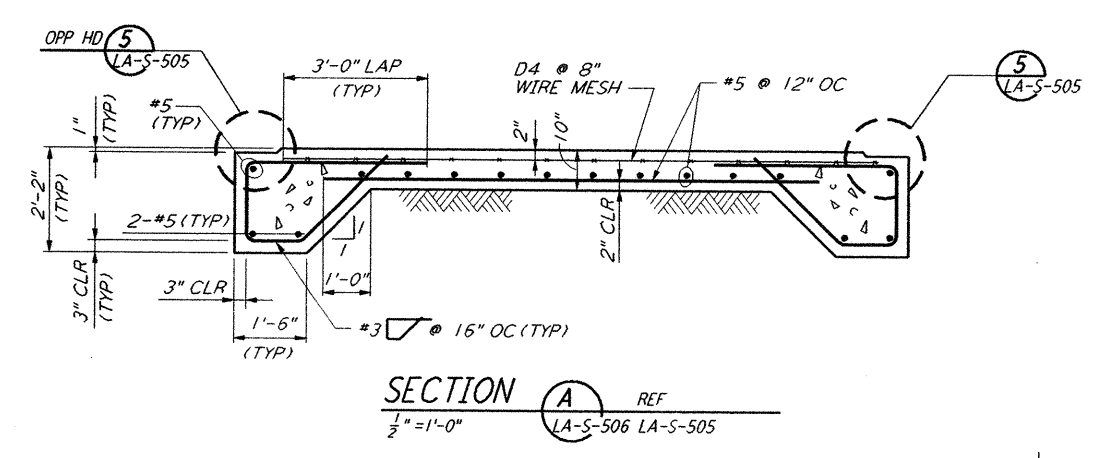
TYPICAL SLAB AT MID STATION

DETAIL 2 REF LA-S-506 LA-S-504 LA-S-505

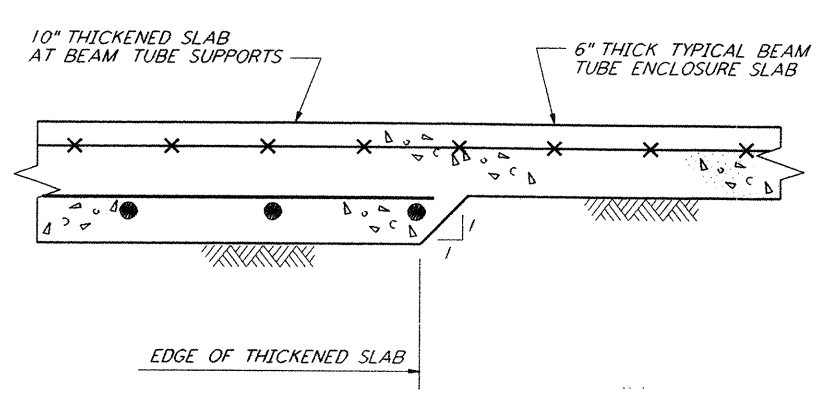


TYPICAL SLAB AT END STATION

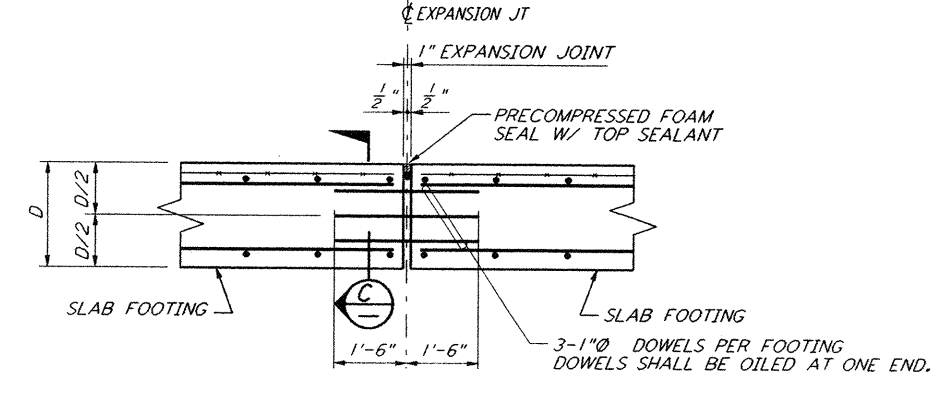
DETAIL 4 REF LA-S-506 LA-S-504 LA-S-505



SECTION A REF LA-S-506 LA-S-505



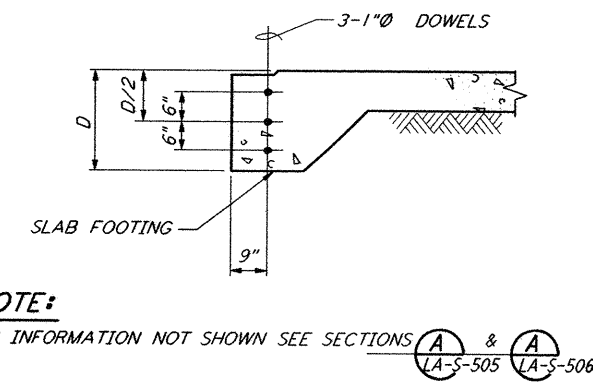
SECTION B REF LA-S-506 LA-S-505



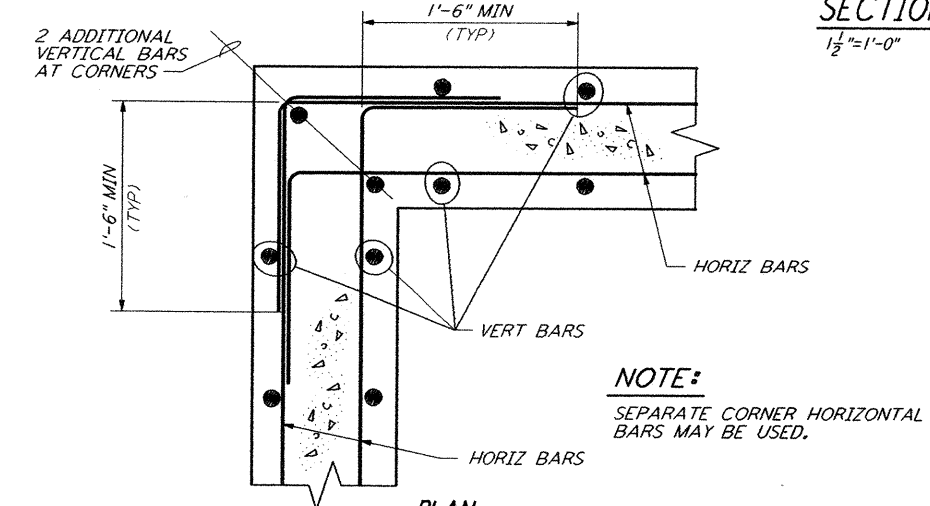
TYPICAL EXPANSION JOINT AT SLAB FOOTING

DETAIL 5 REF LA-S-506 LA-S-504

NOTE:
 1. FOR GENERAL NOTES, ABBREVIATIONS AND LEGEND SEE DRAWING LA-S-501.

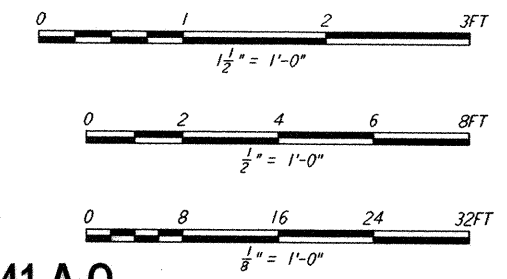


SECTION C REF LA-S-506 LA-S-505



DETAIL 6 REF LA-S-506 LA-S-505

NOTE:
 SEPARATE CORNER HORIZONTAL BARS MAY BE USED.



LIGO-D961241-A-0

9				J				DATE	10-31-95		
8				H				DRAWN	MCS		
7				G				CHECKED			
6				F				ENGINEER			
5				E				PROJ MGR			
4				D							
3				C							
2				B							
1				A							
NO.	DATE	APPRO BY	DESCRIPTION OF REVISION	NO.	DATE	APPRO BY	DESCRIPTION OF REVISION	NO.	DATE	APPRO BY	DESCRIPTION OF REVISION
				1	10-31-95	TDM	PRELIMINARY DESIGN REVIEW				
				2							

PARSONS
 100 WEST WALNUT STREET
 PASADENA, CALIFORNIA

LIGO
 CALIFORNIA INSTITUTE OF TECHNOLOGY
 MASSACHUSETTS INSTITUTE OF TECHNOLOGY

LASER INTERFEROMETER
 GRAVITATIONAL-WAVE OBSERVATORY
 SITE NO. 2 - LIVINGSTON, LOUISIANA
 TITLE: BEAM TUBE ENCLOSURE SECTIONS & DETAILS SHEET 2
 AS NOTED PPI 50969 8094
LA-S-506

Mon Oct 30 20:17:00 1995 s3-v18b2 J:\PLOTS\QUEUES\18B2\ST506.PRF