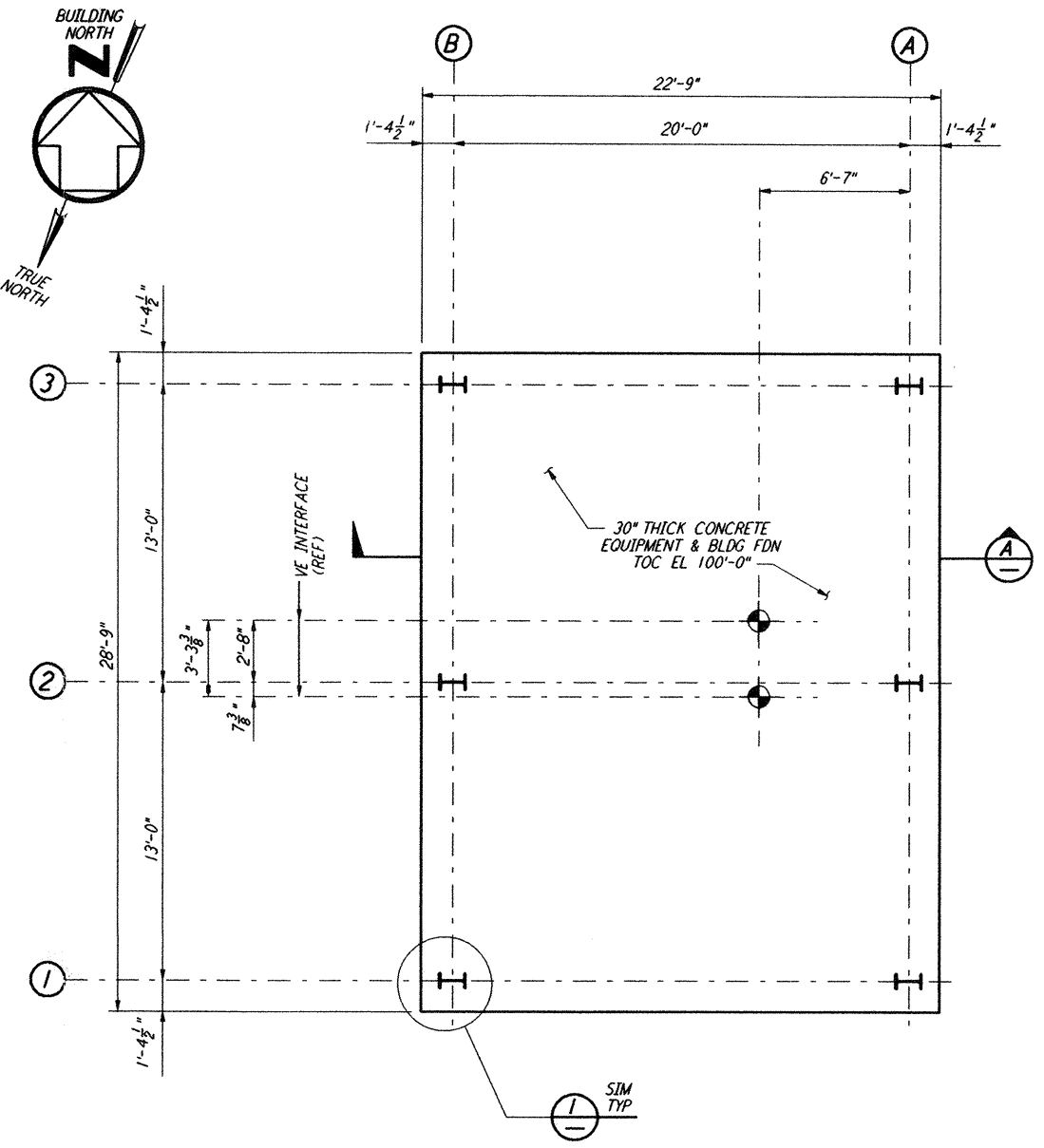
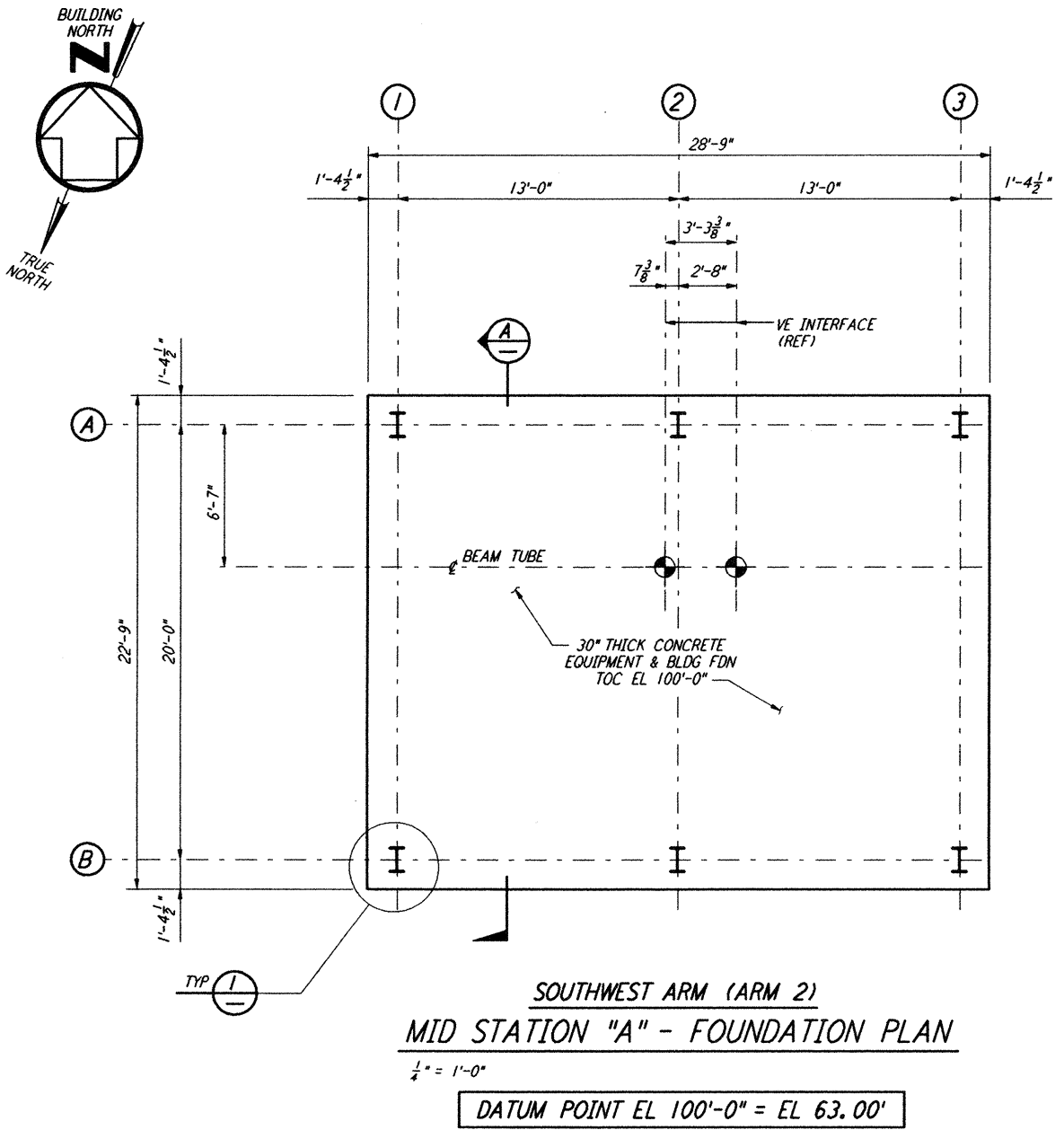


5

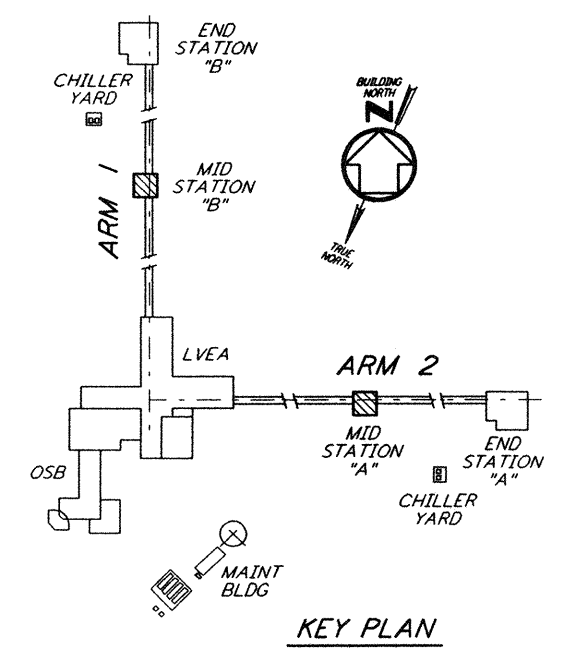
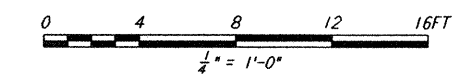
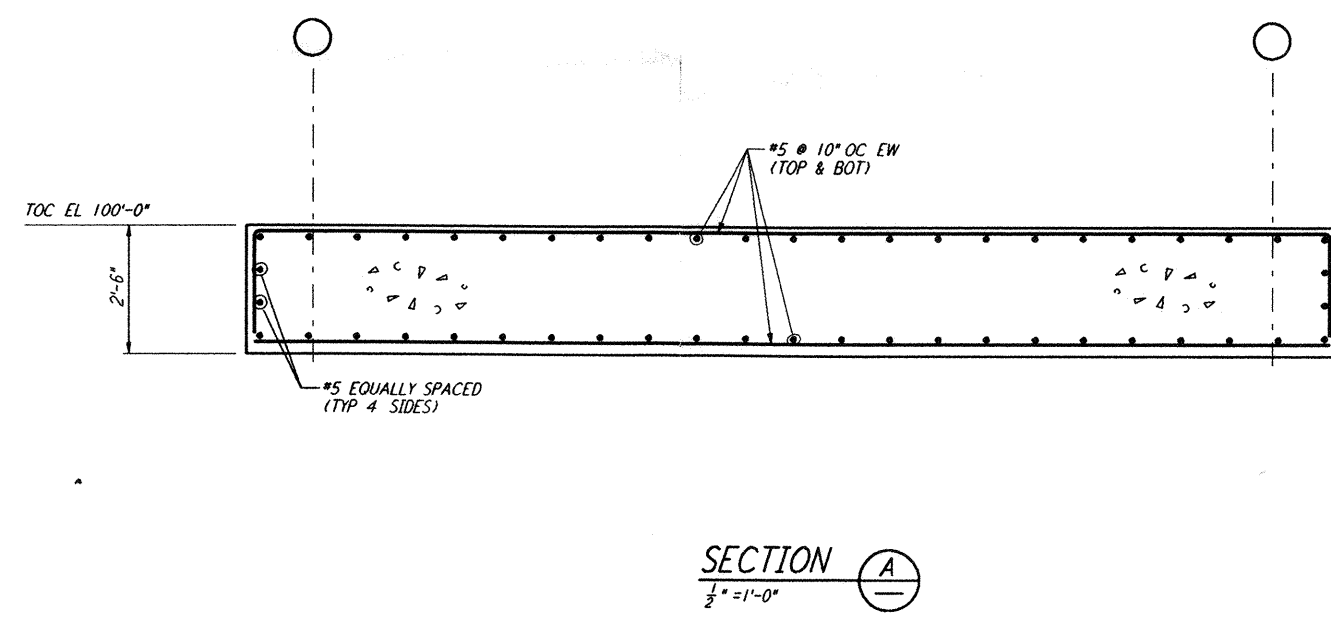
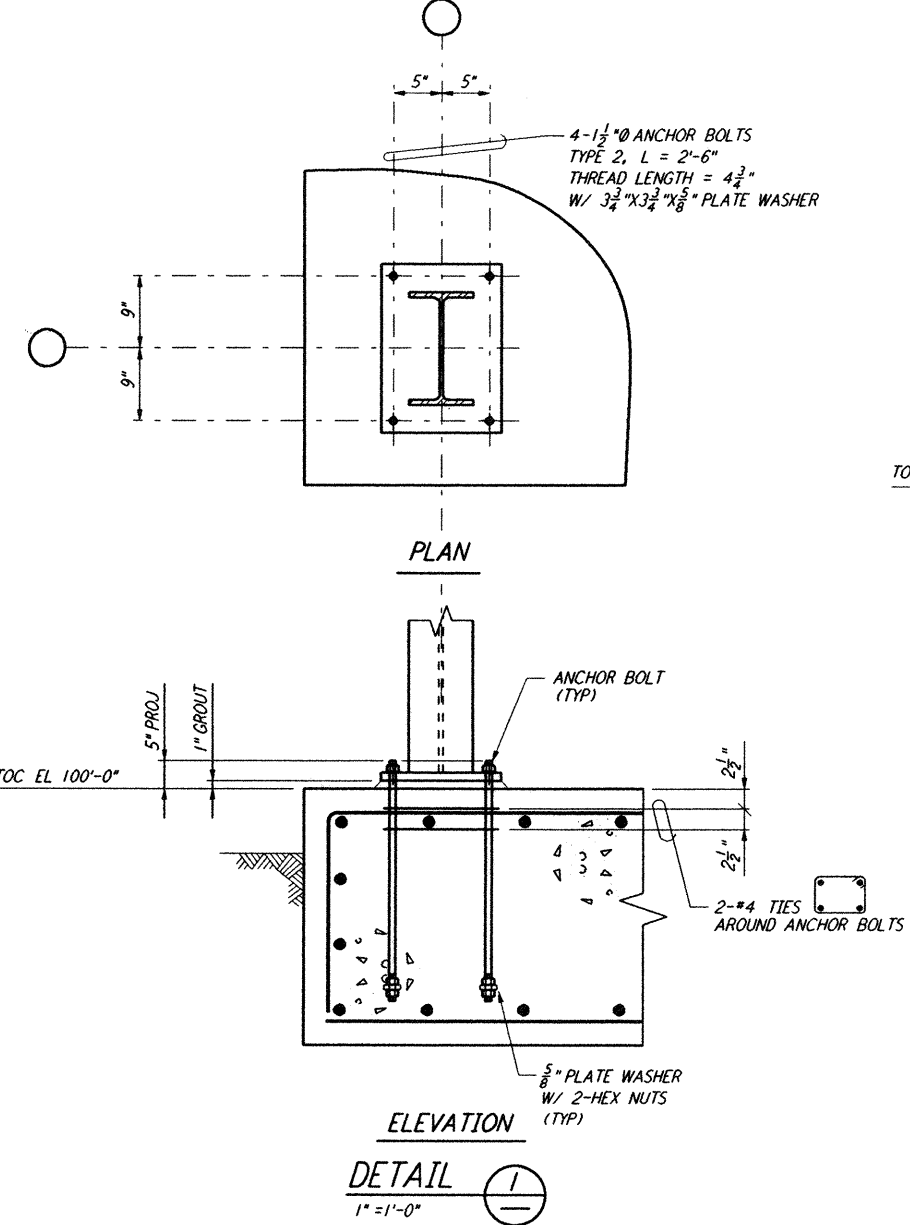
4

3

2



NOTES:
 1. FOR GENERAL NOTES, ABBREVIATIONS AND SYMBOLS SEE DRAWING LA-S-501.



This document and the design it covers are the property of PARSONS. They are loaned only with the borrower's expressed written agreement that they will not be reproduced, copied, loaned, exhibited, or used in any other way, except by written consent from PARSONS to the borrower.

NO.	DATE	BY	CHKD	ENGR	PROJ	DESCRIPTION
B	9-10-96	MCS	DM	BT	DM	BID ADDENDUM #2
A	6-14-96	MCS	DDM	BP	TOM	FINAL DESIGN REVIEW

DRAWN	MCS
CHECKED	
ENGINEER	
PROJ	

PARSONS
 100 WEST WALNUT STREET
 PASADENA, CALIFORNIA

LIGO
 CALIFORNIA INSTITUTE OF TECHNOLOGY
 MASSACHUSETTS INSTITUTE OF TECHNOLOGY

LASER INTERFEROMETER GRAVITATIONAL-WAVE OBSERVATORY BEAM TUBE ENCLOSURE - LIVINGSTON, LA			
TITLE	SCALE	CONTRACT NUMBER	PROJECT NUMBER
STRUCTURAL BEAM TUBE ENCLOSURE MID STATIONS "A" & "B" FOUNDATION PLANS	AS NOTED	PP150969	8094
SHEET NUMBER		REVISIONS	
LA-S-507			

5

4

3

2

LIGO-D961242-B-0

LIGOL.TF.BDR

Wed Sep 11 08:59:43 1996 s3-v18b2 J:\PLOTS\QUEUES\18B2\ST507C.PRF