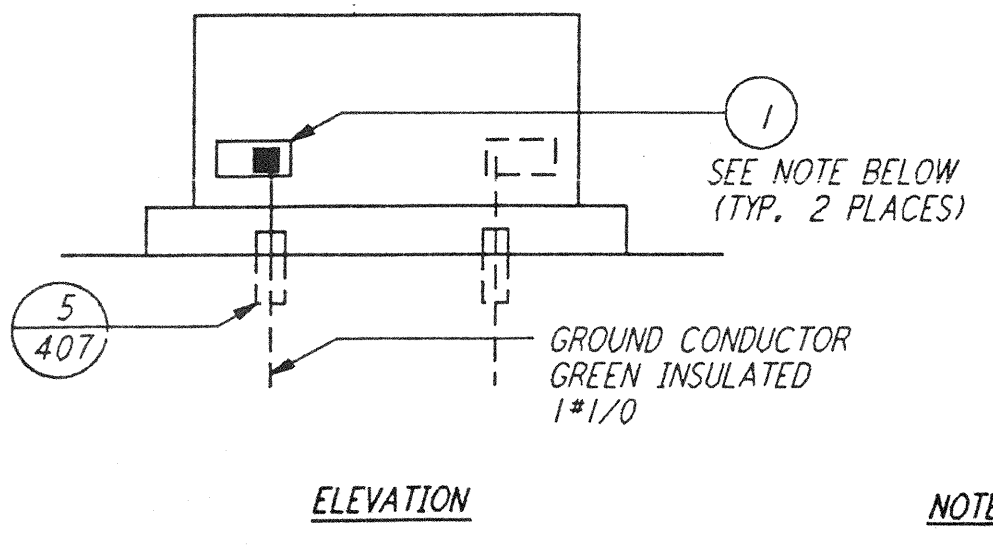
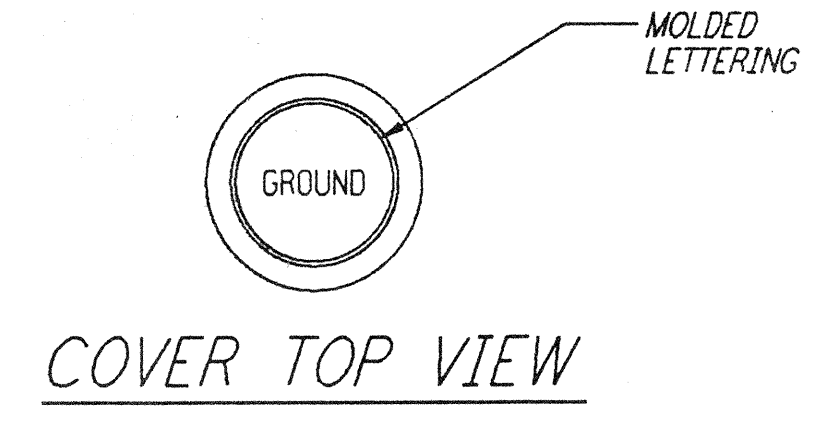
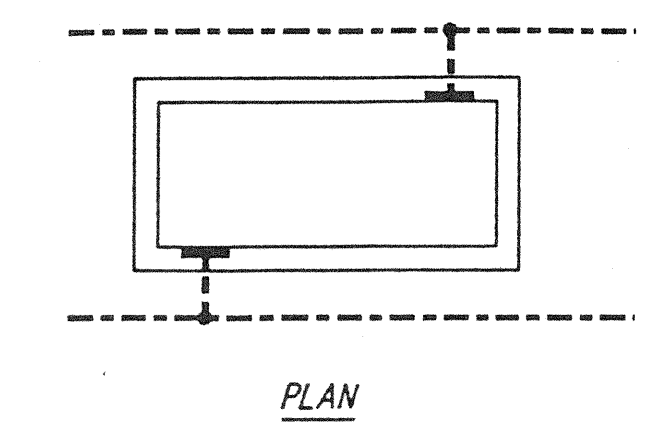
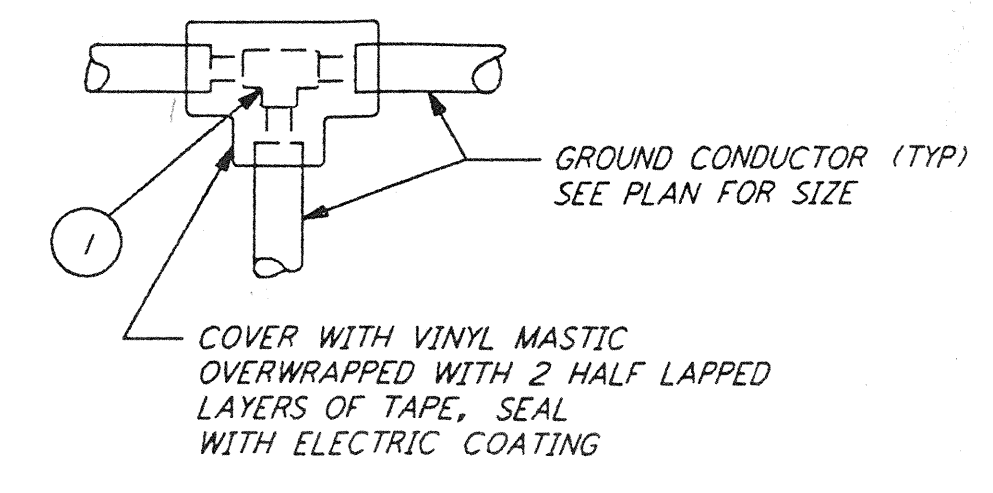
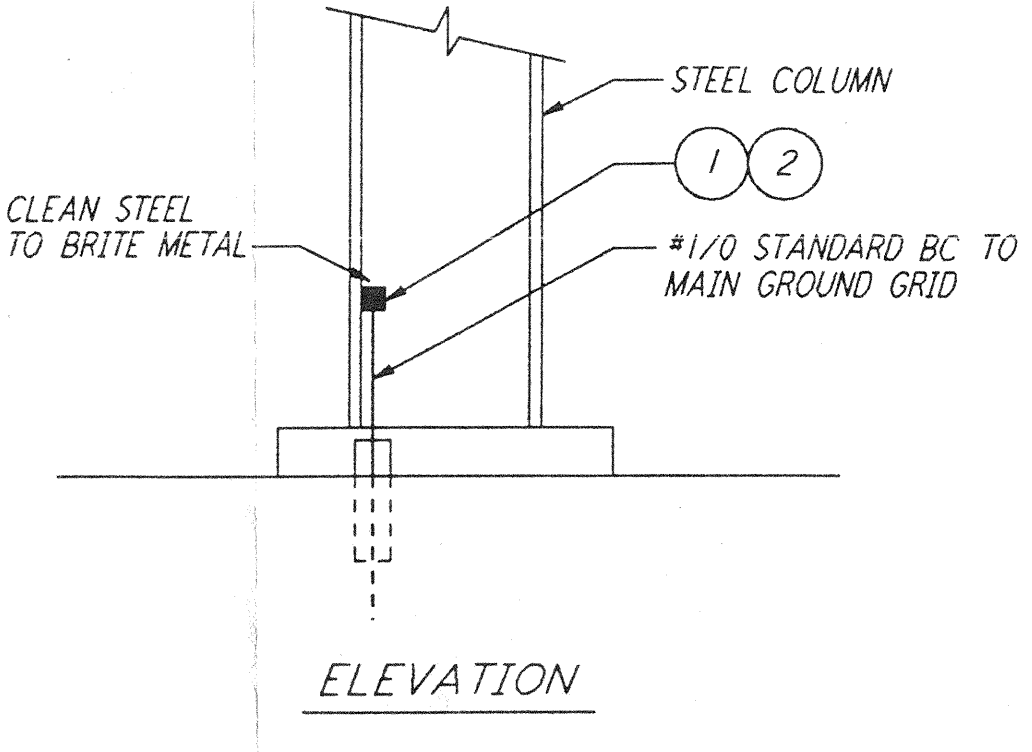
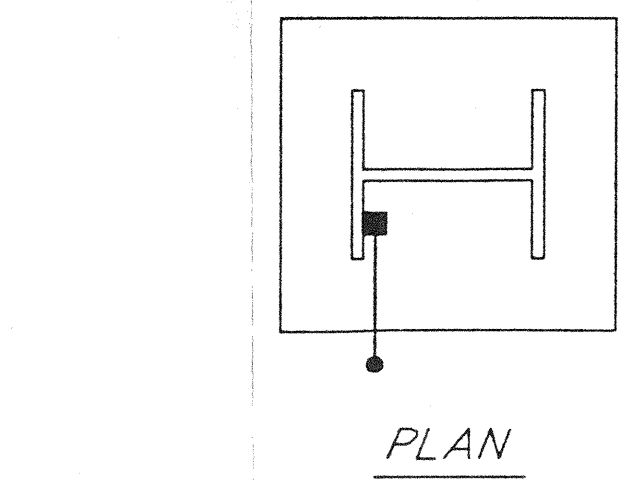
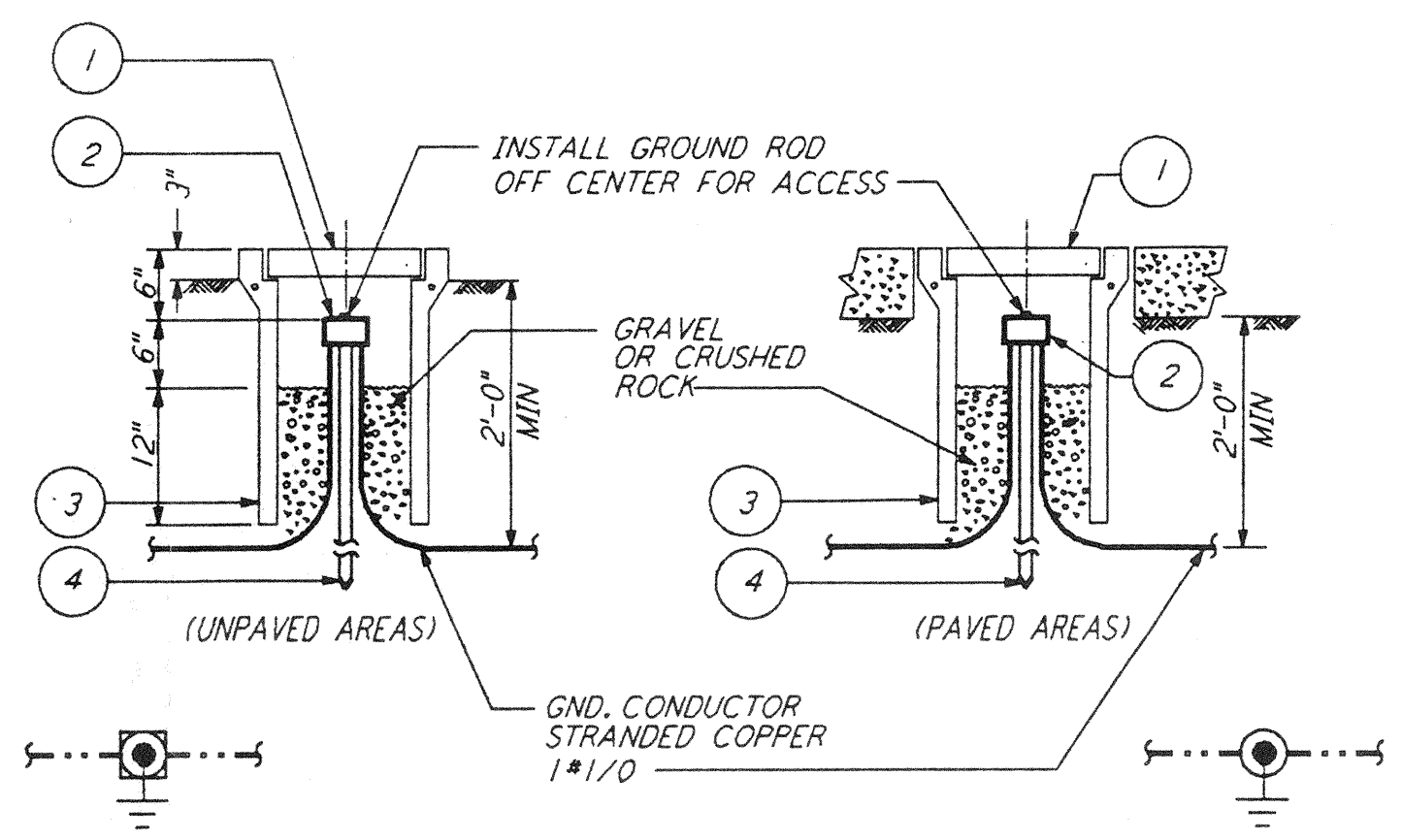


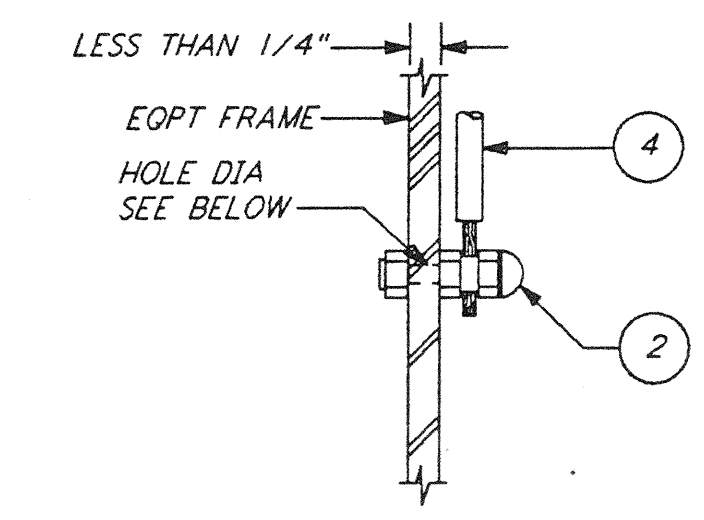
This document and the design it covers are the property of PARSONS. They are loaned only with the borrower's expressed written agreement that they will not be reproduced, copied, loaned, exhibited, or used in any other way, except by written consent from PARSONS to the borrower.



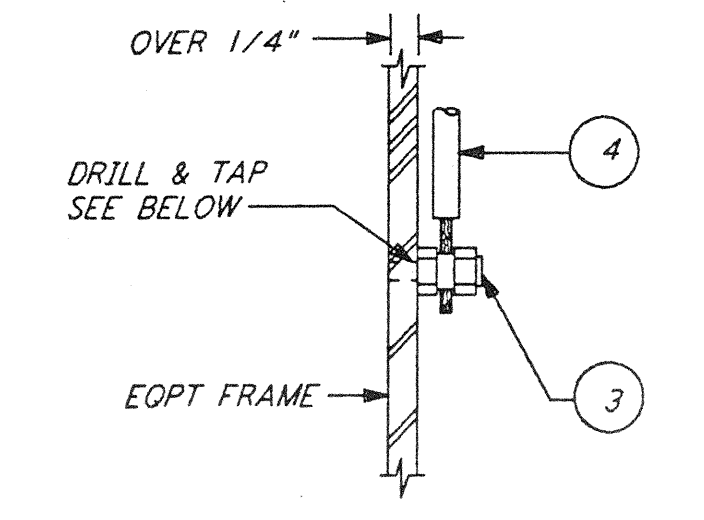
NOTE:
 IF GROUNDING PAD IS NOT PROVIDED, INSTALL SERVIC POST IN XFMR/EQUIPMENT BASE



TYPE	WIRE SIZE	WIRE TO WIRE
A	#4/0	#4/0
B	#4/0	#2/0
C	#4/0	#2
D	#2	#2
E	#2	#4
F	#2/0	#2/0
G	#2/0	#2
H	#1/0	#1/0



TYPE	WIRE SIZE	HOLE DIA.
A	#8-#2	7/16"



TYPE	WIRE SIZE	TAPPED HOLE
A	#8-#2	3/8"-16
B	#2-#2/0	1/2"-13

LIST OF MATERIAL

ITEM NO.	QTY	DESCRIPTION
1	2	SERVIC POST TWO #2-#2/0 WIRES SHORT STUD BURNDY TYPE K2C-26

LIST OF MATERIAL

ITEM NO.	QTY	DESCRIPTION
1	1	BROOKS #9 CONCRETE COVER WT=11 LBS WITH 9 GAGE RE-BAR
2	1	CONNECTOR 3 WIRES X 3/4" GROUND ROD BURNDY #GK6426
3	1	BROOKS #9 BODY (9"DIA X 24" LONG) WT=49 LBS
4	1	GROUND ROD COPPER-CLAD STEEL 5/8" DIA X 10'-0" COPPER WELD

LIST OF MATERIAL

ITEM NO.	QTY	DESCRIPTION
1	1	CADWELD MOLD #HDVBC-2C
2	1	CARTRIDGE STANDARD POWDER 200 GRAMS

LIST OF MATERIAL

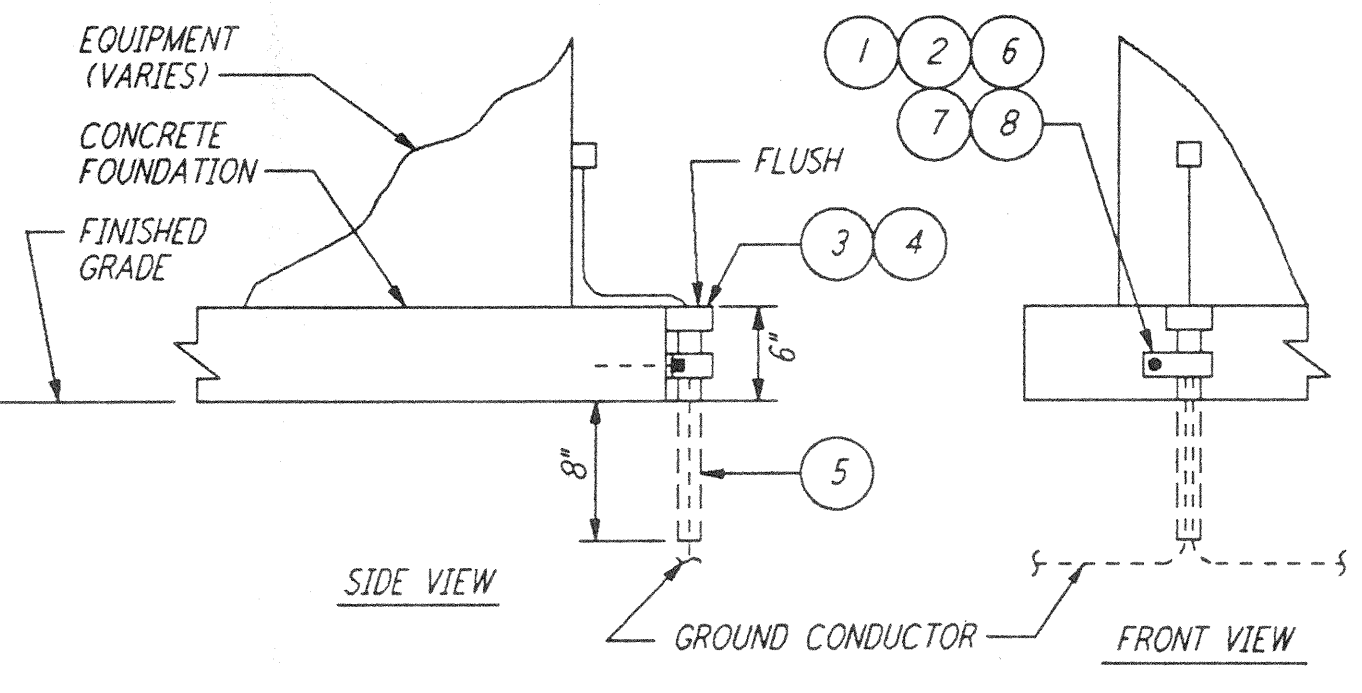
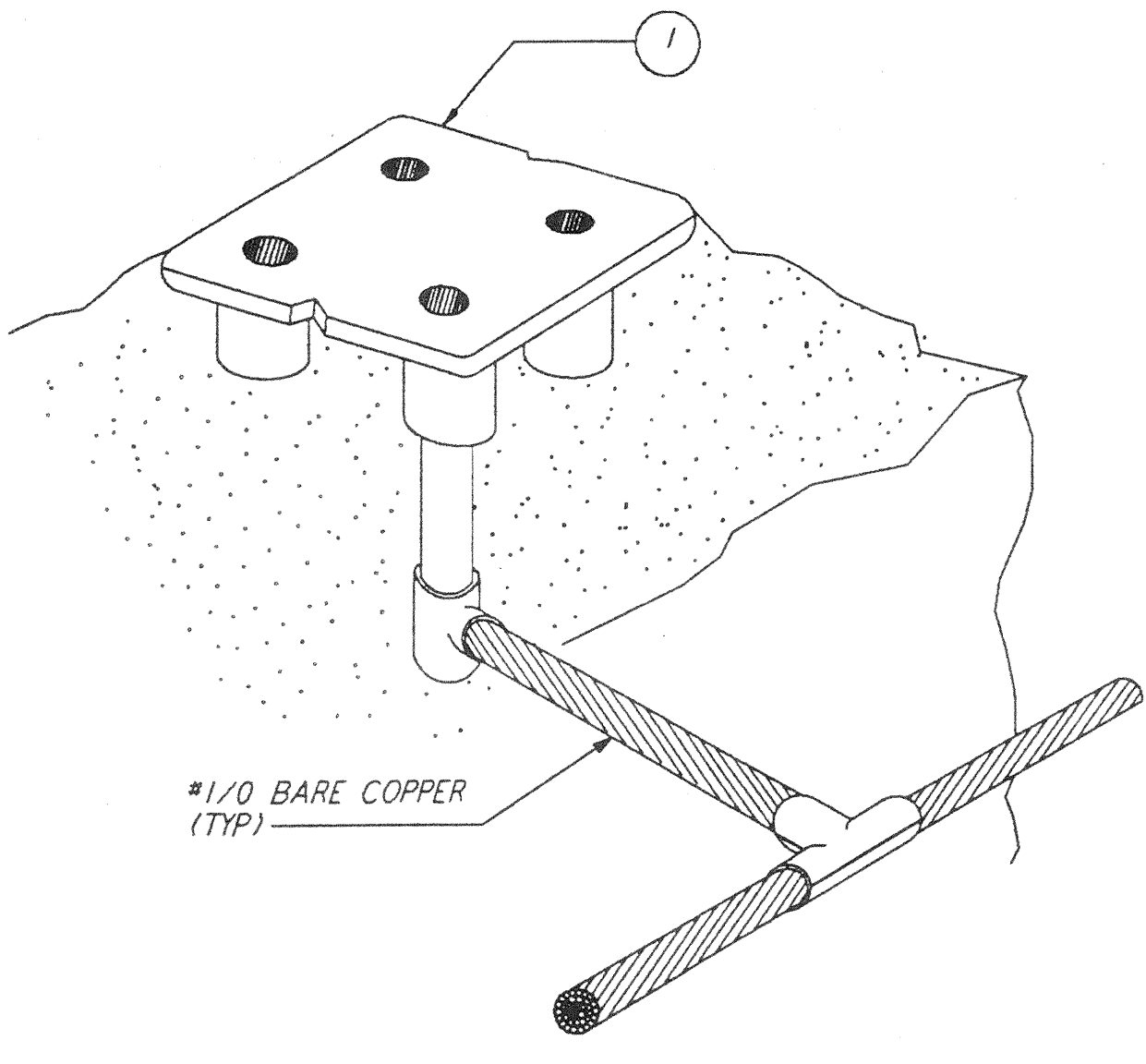
ITEM NO.	QTY	DESCRIPTION
1	1	THERMAL WELD, GROUND, SIZE AS REQUIRED
2	1	GROUND CONNECTOR, CABLE TO BAR, SIZE AS REQUIRED
3	1	GROUND POST, SIZE AS REQUIRED
4	AR	TYPE "TW" INSULATED GREEN GROUND WIRE (UNLESS OTHERWISE NOTED)

TRANSFORMER/EQUIP. GROUNDING (1) REF
 N. T. S.

GROUND WELL (2) REF
 N. T. S.

EXOTHERMIC WELD TO STRUCTURE (3) REF
 N. T. S.

GROUNDING CONNECTIONS (4*) REF
 N. T. S.



LIST OF MATERIAL

ITEM NO.	QTY	DESCRIPTION
1	1	GROUND PLATE, FLUSH, CADWELD #B16420

LIST OF MATERIAL

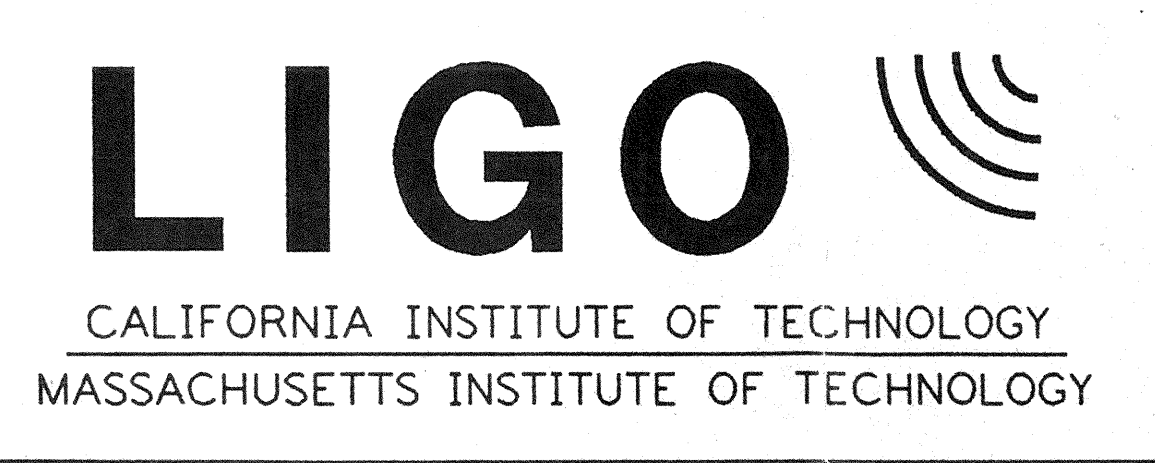
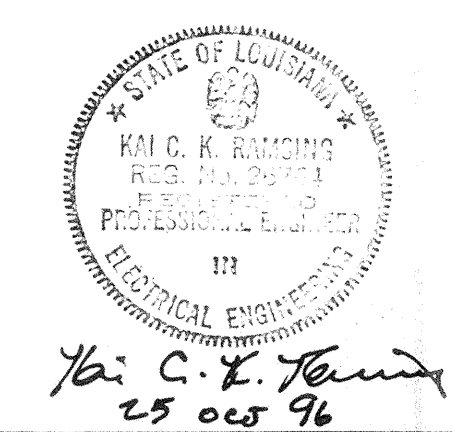
ITEM NO.	QTY	DESCRIPTION
1	1	CLAMP, GALV STEEL 1 1/4" DIA CONDUIT
2	1	BOLT, 1/4"-20 x 1" LG. HEX HD SST
3	1	END BELL, FOR 1 1/4" DIA PVC CONDUIT
4	AR	CEMENT FOR PVC CONDUIT AND FITTINGS
5	1FT	CONDUIT, PVC 1 1/4" DIA SCH 40
6	1	ANCHOR, MASONRY 1/4"-20
7	1	CLAMP BACK, 1 1/4, GALV STEEL
8	1	WASHER, 1/4" FLAT SST

FLUSH FLOOR GROUND PLATE (5) REF
 N. T. S.

GROUNDING CABLE PROTECTIVE SLEEVE (6) REF
 N. T. S.

NO.	DATE	BY	CHKD	ENGR	PRJ	DESCRIPTION

ISSUED FOR CONSTRUCTION
 DRAWN M.M. 11-15-96
 CHECKED JCL 7-24-96
 ENGINEER RCL 10-25-96
 PROJ BJA 11/25/96



LASER INTERFEROMETER GRAVITATIONAL-WAVE OBSERVATORY BEAM TUBE ENCLOSURE - LIVINGSTON, LA

ELECTRICAL GROUNDING DETAILS

SCALE: AS NOTED CONTRACT NUMBER: PPI 50969 PROJECT NUMBER: 8094

SHEET NUMBER: LA-E-505

LIGO-D961243-00-0