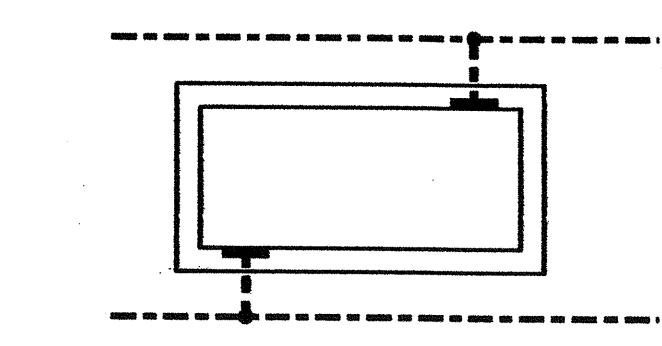
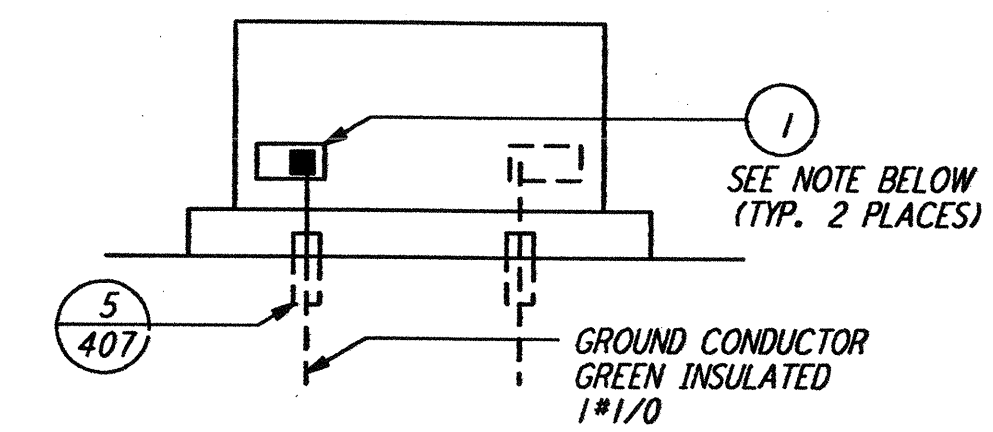


This document and the design it covers are the property of PARSONS. They are loaned only with the borrower's expressed written agreement that they will not be reproduced, copied, loaned, exhibited, or used in any other way, except by written consent from PARSONS to the borrower.



PLAN



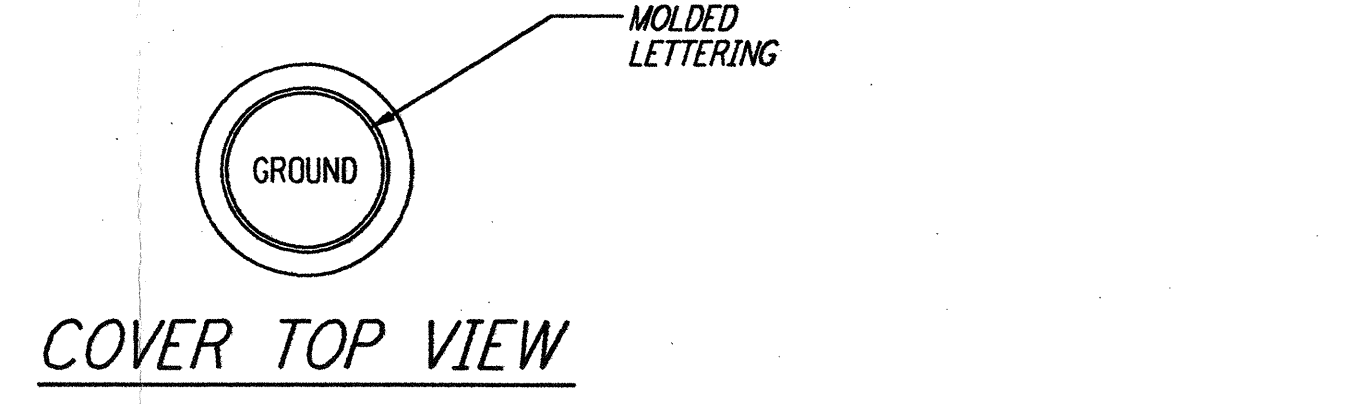
ELEVATION

NOTE:
 IF GROUNDING PAD IS NOT PROVIDED, INSTALL SERVIT POST IN XFRMR/EQUIPMENT BASE

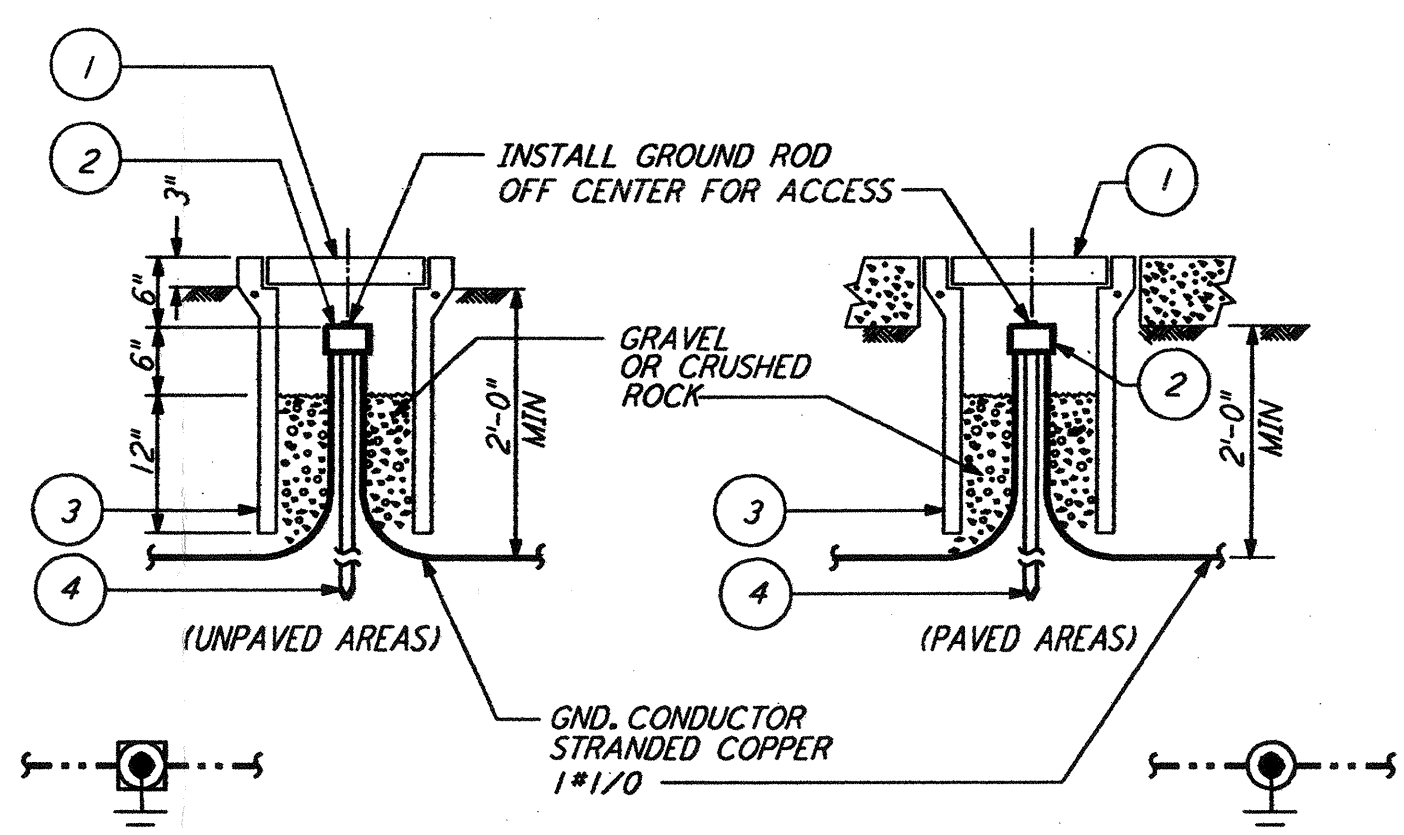
LIST OF MATERIAL

ITEM NO.	QTY	DESCRIPTION
1	2	SERVIT POST TWO #2-#2/0 WIRES SHORT STUD BURNIDY TYPE K2C-26

TRANSFORMER/EQUIP. GROUNDING (1) REF N.T.S.



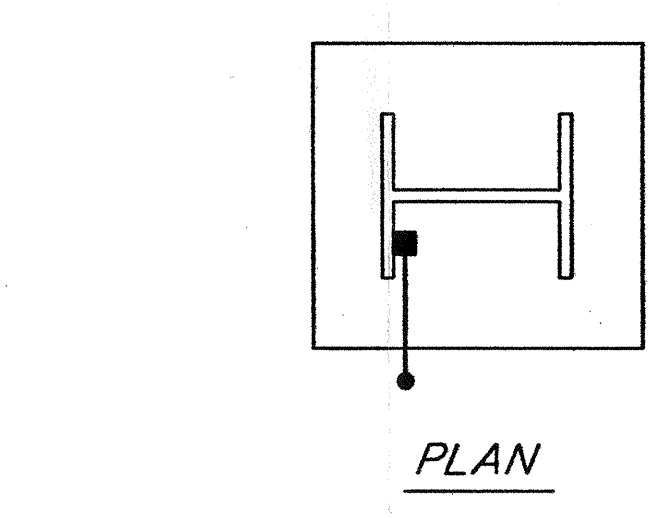
COVER TOP VIEW



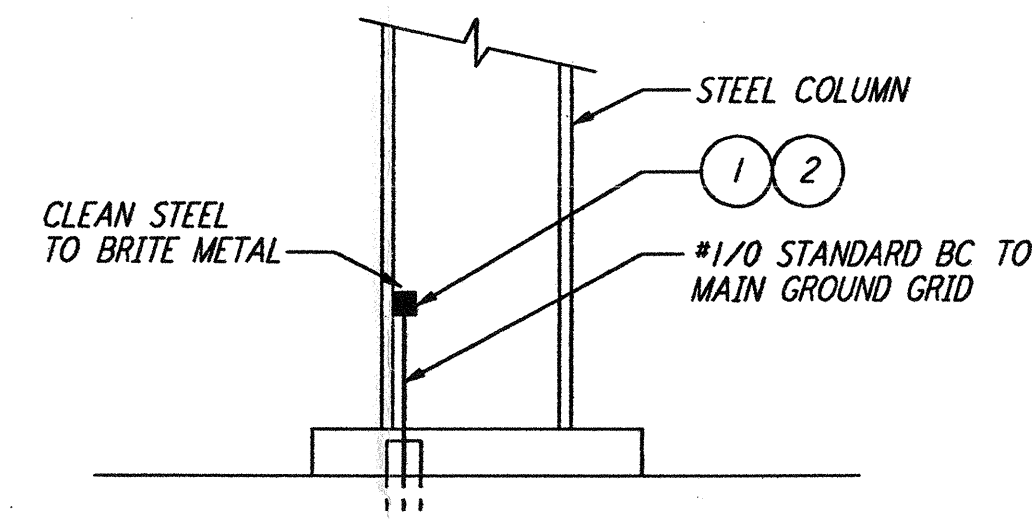
LIST OF MATERIAL

ITEM NO.	QTY	DESCRIPTION
1	1	BROOKS #9 CONCRETE COVER WT=11 LBS WITH 9 GAGE RE-BAR
2	1	CONNECTOR 3 WIRES X 3/4" GROUND ROD BURNDY #GK6426
3	1	BROOKS #9 BODY (9" DIA X 24" LONG) WT=49 LBS
4	1	GROUND ROD COPPER-CLAD STEEL 5/8" DIA X 10'-0" COPPER WELD

GROUND WELL (2) REF N.T.S.



PLAN

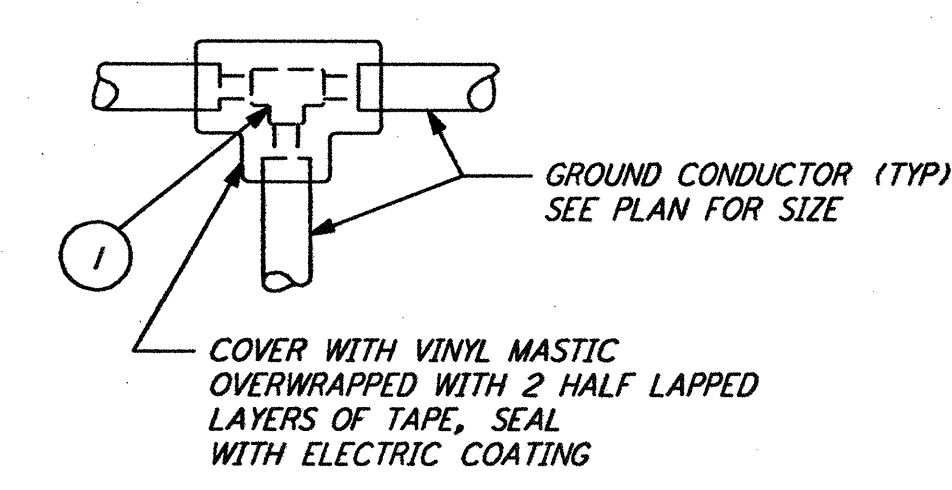


ELEVATION

LIST OF MATERIAL

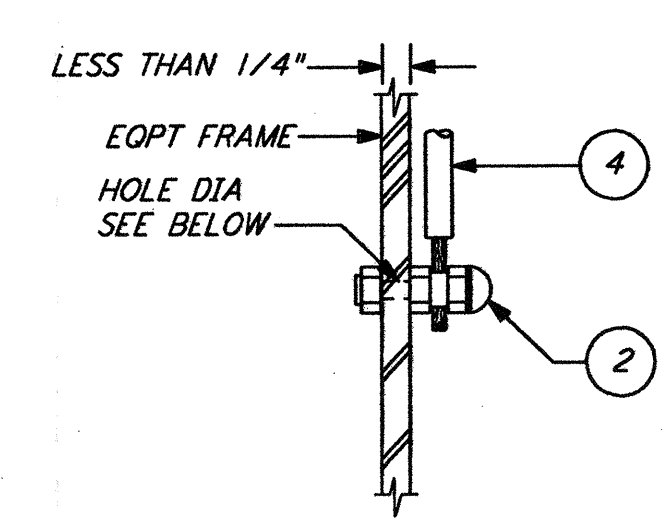
ITEM NO.	QTY	DESCRIPTION
1	1	CADWELD MOLD #HVBK-2C
2	1	CARTRIDGE STANDARD POWDER 200 GRAMS

EXOTHERMIC WELD TO STRUCTURE (3) REF N.T.S.



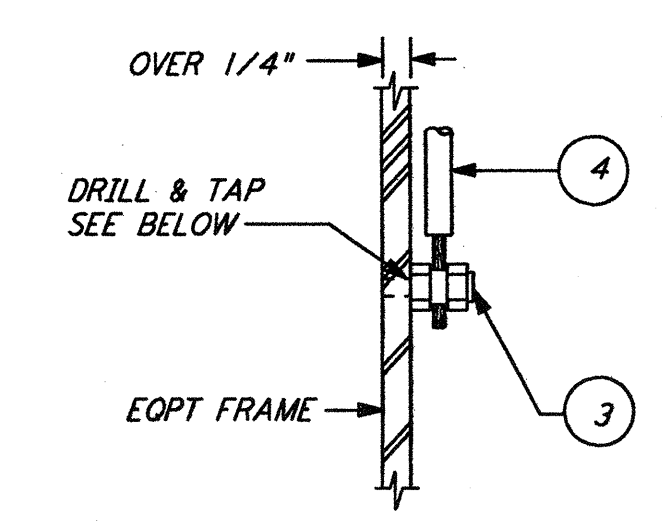
TYPE	WIRE SIZE	TRUN	TAP
A	#4/0	#4/0	#4/0
B	#4/0	#2/0	#2
C	#4/0	#2	#2
D	#2	#2	#2
E	#2	#4	#4
F	#2/0	#2/0	#2
G	#2/0	#2	#2
H	#1/0	#1/0	#1/0

*A WIRE TO WIRE THERMAL CONNECTION



TYPE	WIRE SIZE	HOLE DIA.
A	#8-#2/0	7/16"

*B BOLTED CONNECTION



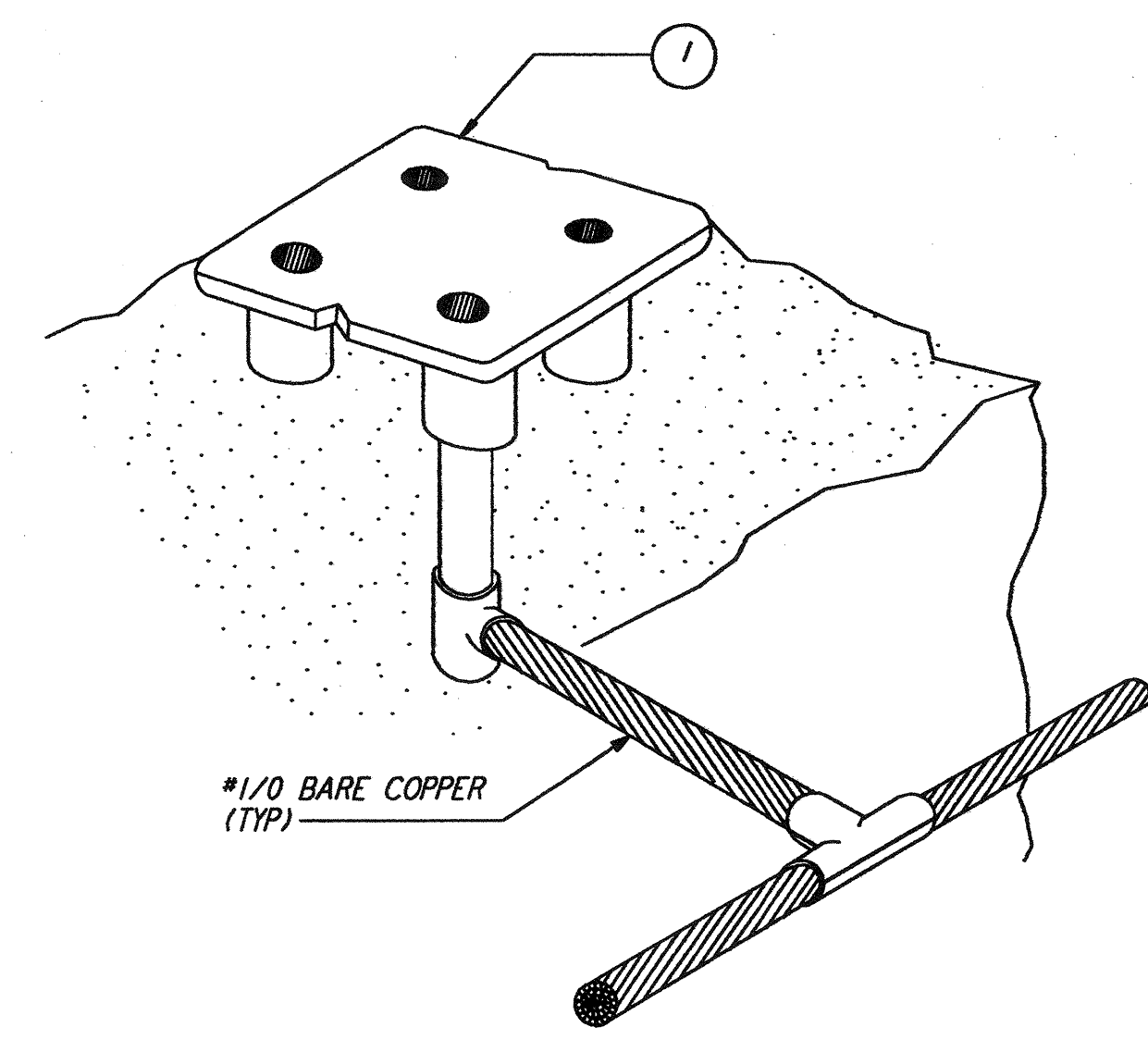
TYPE	WIRE SIZE	TAPPED HOLE
A	#8-#2	3/8"-16
B	#2-#2/0	1/2"-13

*C TAPPED CONNECTION

LIST OF MATERIAL

ITEM NO.	QTY	DESCRIPTION
1	1	THERMAL WELD, GROUND, SIZE AS REQUIRED
2	1	GROUND CONNECTOR, CABLE TO BAR, SIZE AS REQUIRED
3	1	GROUND POST, SIZE AS REQUIRED
4	AR	TYPE "TW" INSULATED GREEN GROUND WIRE (UNLESS OTHERWISE NOTED)

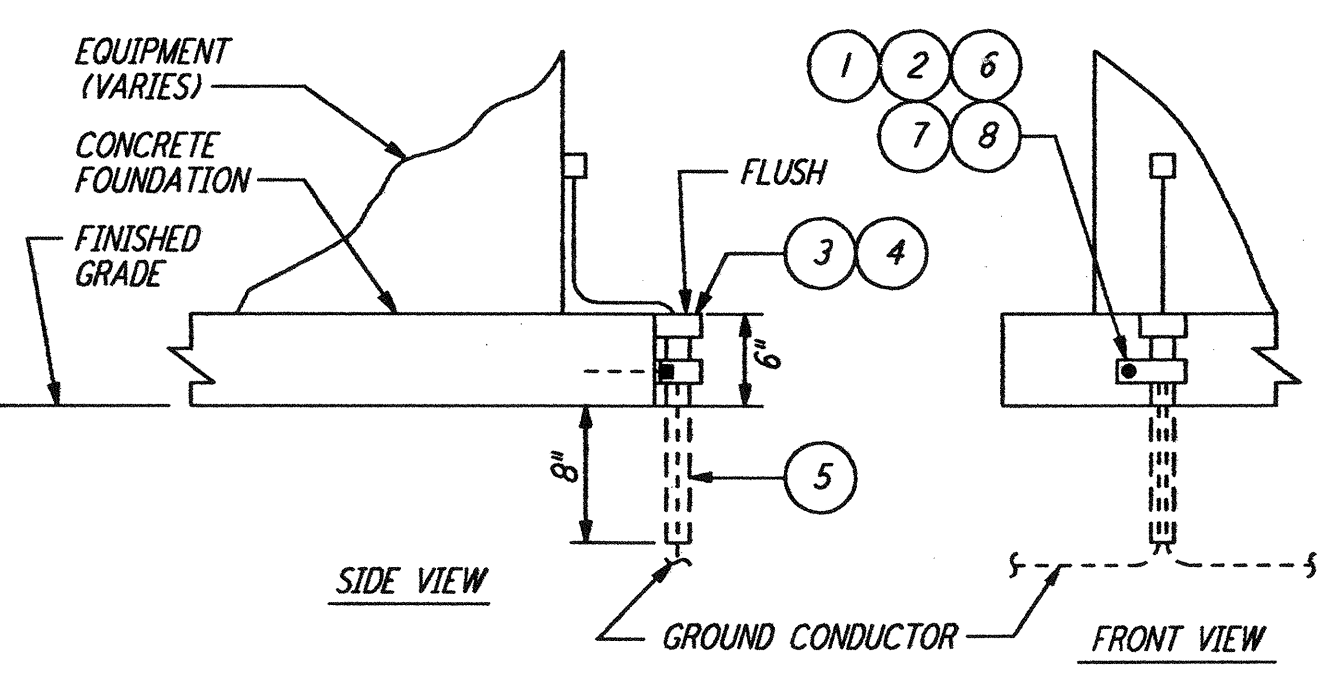
GROUNDING CONNECTIONS (4) REF N.T.S.



LIST OF MATERIAL

ITEM NO.	QTY	DESCRIPTION
1	1	GROUND PLATE, FLUSH, CADWELD #B16420

FLUSH FLOOR GROUND PLATE (5) REF N.T.S.



LIST OF MATERIAL

ITEM NO.	QTY	DESCRIPTION
1	1	CLAMP, GALV STEEL 1 1/4" DIA CONDUIT
2	1	BOLT, 1/4"-20 x 1" LG HEX HD SST
3	1	END BELL, FOR 1 1/4" DIA PVC CONDUIT
4	AR	CEMENT FOR PVC CONDUIT AND FITTINGS
5	1FT	CONDUIT, PVC 1 1/4" DIA SCH 40
6	1	ANCHOR, MASONRY 1/4"-20
7	1	CLAMP BACK, 1 1/4", GALV STEEL
8	1	WASHER, 1/4" FLAT SST

GROUNDING CABLE PROTECTIVE SLEEVE (6) REF N.T.S.

LIGO-D961243-01-0

REFERENCES	REVISIONS	ISSUED FOR CONSTRUCTION
		DRAWN M.M. 11-15-96
		CHECKED
		ENGINEER
		PROJ
		AS-BUILT DRAWINGS
		ISSUED FOR AS BUILT
DRAWING NO.	DESCRIPTION	NO. DATE BY CHKD ENGR PROJ
5		1 1-15-99 MET -- -- MDW

PARSONS
 100 WEST WALNUT STREET
 PASADENA, CALIFORNIA

LIGO
 CALIFORNIA INSTITUTE OF TECHNOLOGY
 MASSACHUSETTS INSTITUTE OF TECHNOLOGY

LASER INTERFEROMETER
 GRAVITATIONAL-WAVE OBSERVATORY
 BEAM TUBE ENCLOSURE - LIVINGSTON, LA

ELECTRICAL GROUNDING DETAILS

AS NOTED PPI50969 8094

LA-E-505