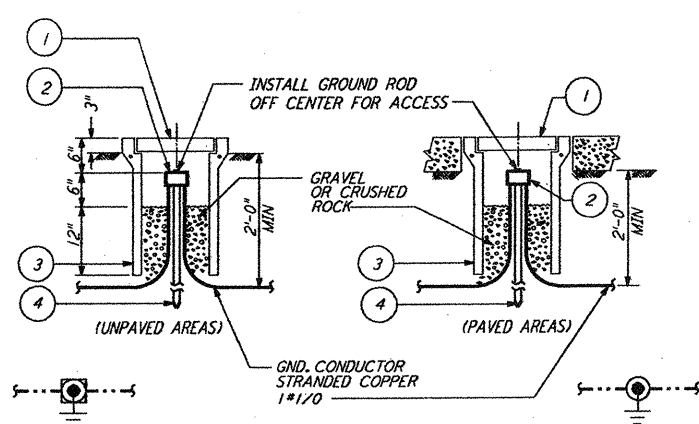


COVER TOP VIEW

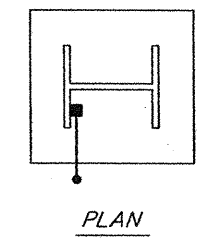


LIST OF MATERIAL

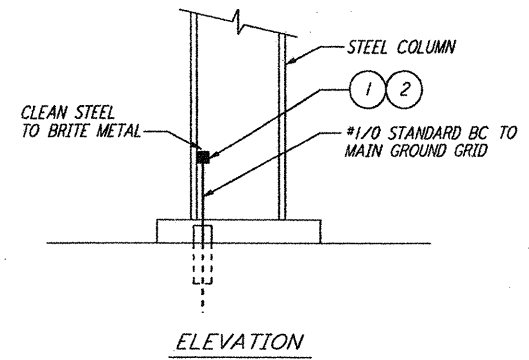
ITEM NO.	QTY	DESCRIPTION
1	1	BROOKS #9 CONCRETE COVER WT=11 LBS WITH 9 GAGE RE-BAR
2	1	CONNECTOR 3 WIRES X 3/4" GROUND ROD BURNDY #K6426
3	1	BROOKS #9 BODY (9" DIA X 24" LONG) WT=49 LBS
4	1	GROUND ROD COPPER-CLAD STEEL 5/8" DIA X 10'-0" COPPER WELD

GROUND WELL

REF E-507 E-517



PLAN



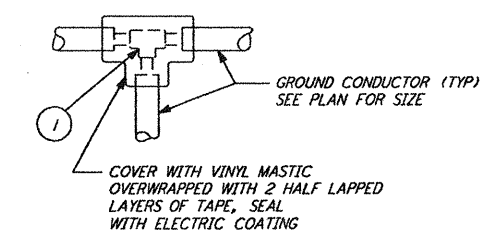
ELEVATION

LIST OF MATERIAL

ITEM NO.	QTY	DESCRIPTION
1	1	CADWELD MOLD #HDVBC-2C
2	1	CARTRIDGE STANDARD POWDER 200 GRAMS

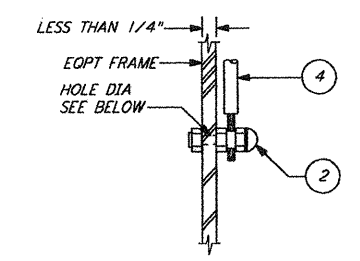
EXOTHERMIC WELD TO STRUCTURE

REF E-507 E-517



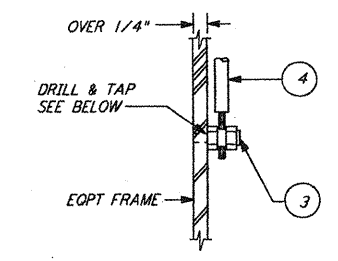
WIRE TO WIRE

TYPE	WIRE SIZE	WIRE RUN	TAP
A	#4/0	#4/0	#4/0
B	#4/0	#2/0	#2/0
C	#4/0	#2	#2
D	#2	#4	#4
F	#2/0	#2/0	#2/0
G	#2/0	#2	#2
H	#1/0	#1/0	#1/0



BOLTED CONNECTION

TYPE	WIRE SIZE	HOLE DIA.
A	#8-#2/0	7/16"



TAPPED CONNECTION

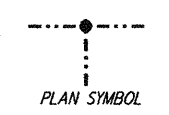
TYPE	WIRE SIZE	TAPPED HOLE
A	#8-#2	3/8"-16
B	#2-#2/0	1/2"-13

LIST OF MATERIAL

ITEM NO.	QTY	DESCRIPTION
1	1	THERMAL WELD, GROUND, SIZE AS REQUIRED
2	1	GROUND CONNECTOR, CABLE TO BAR, SIZE AS REQUIRED
3	1	GROUND POST, SIZE AS REQUIRED
4	AR	TYPE "TW" INSULATED GREEN GROUND WIRE (UNLESS OTHERWISE NOTED)

GROUNDING CONNECTIONS

REF E-507 E-517



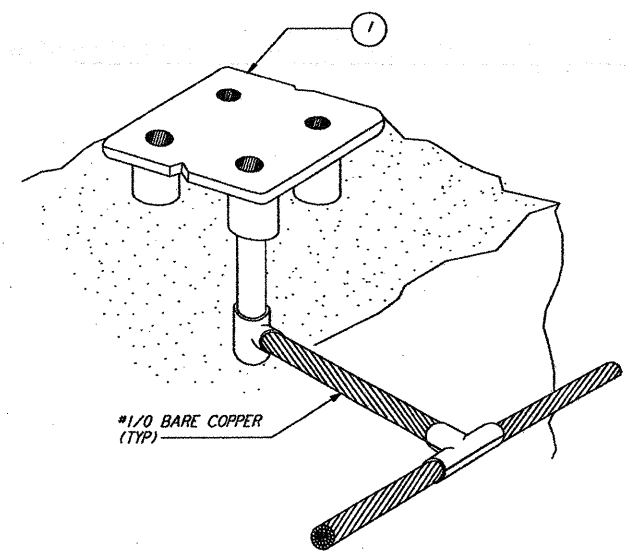
PLAN SYMBOL

LIST OF MATERIAL

ITEM NO.	QTY	DESCRIPTION
1	2	SERVIT POST TYP. #2-#2/0 WIRES SHORT STUD BURNDY TYPE K2C-26

TRANSFORMER/EQUIP. GROUNDING

NOTE: IF GROUNDING PAD IS NOT PROVIDED, INSTALL SERVIT POST IN XTRM/EQUIPMENT BASE

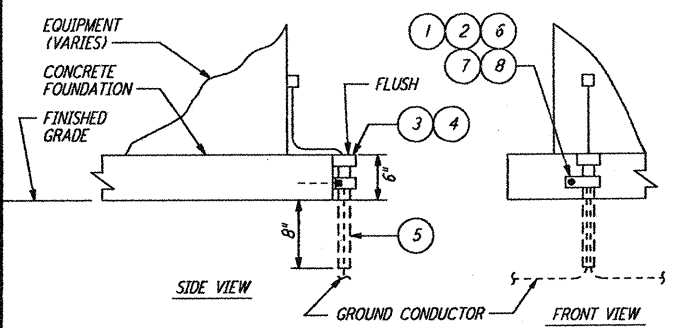


LIST OF MATERIAL

ITEM NO.	QTY	DESCRIPTION
1	1	GROUND PLATE, FLUSH, CADWELD #B16420

FLUSH FLOOR GROUND PLATE

REF E-507 E-517



LIST OF MATERIAL

ITEM NO.	QTY	DESCRIPTION
1	1	CLAMP, GALV STEEL 1 1/4" DIA CONDUIT
2	1	BOLT, 1/4" x 1 1/2" HEX HD SST
3	1	END BELL FOR 1 1/4" DIA PVC CONDUIT
4	AR	CEMENT FOR PVC CONDUIT AND FITTINGS
5	1 FT	CONDUIT, PVC 1 1/4" DIA SCH 40
6	1	ANCHOR, MASONRY 1/4" x 20
7	1	CLAMP BACK, 1 1/4", GALV STEEL
8	1	WASHER, 1/4" x 1/4" x 1/4" SST

GROUNDING CABLE PROTECTIVE SLEEVE

REF E-507 E-517

ISSUED FOR CONSTRUCTION  
 DRAWN M. M. 11-15-96  
 CHECKED  
 ENGINEER  
 PROJ

AS-BUILT DRAWINGS

NO.	DATE	BY	CHKD	ENGR	PROJ	DESCRIPTION
1	1-15-99	MEI	--	--	MDW	ISSUED FOR AS BUILT

**PARSONS**  
 100 WEST WALNUT STREET  
 PASADENA, CALIFORNIA

**LIGO**  
 CALIFORNIA INSTITUTE OF TECHNOLOGY  
 MASSACHUSETTS INSTITUTE OF TECHNOLOGY

LASER INTERFEROMETER  
 GRAVITATIONAL-WAVE OBSERVATORY  
 BEAM TUBE ENCLOSURE - LIVINGSTON, LA

ELECTRICAL GROUNDING DETAILS

SCALE: AS NOTED  
 SHEET NUMBER: PP150969  
 CONTRACT NUMBER: 8094  
 PROJECT NUMBER: LA-E-505