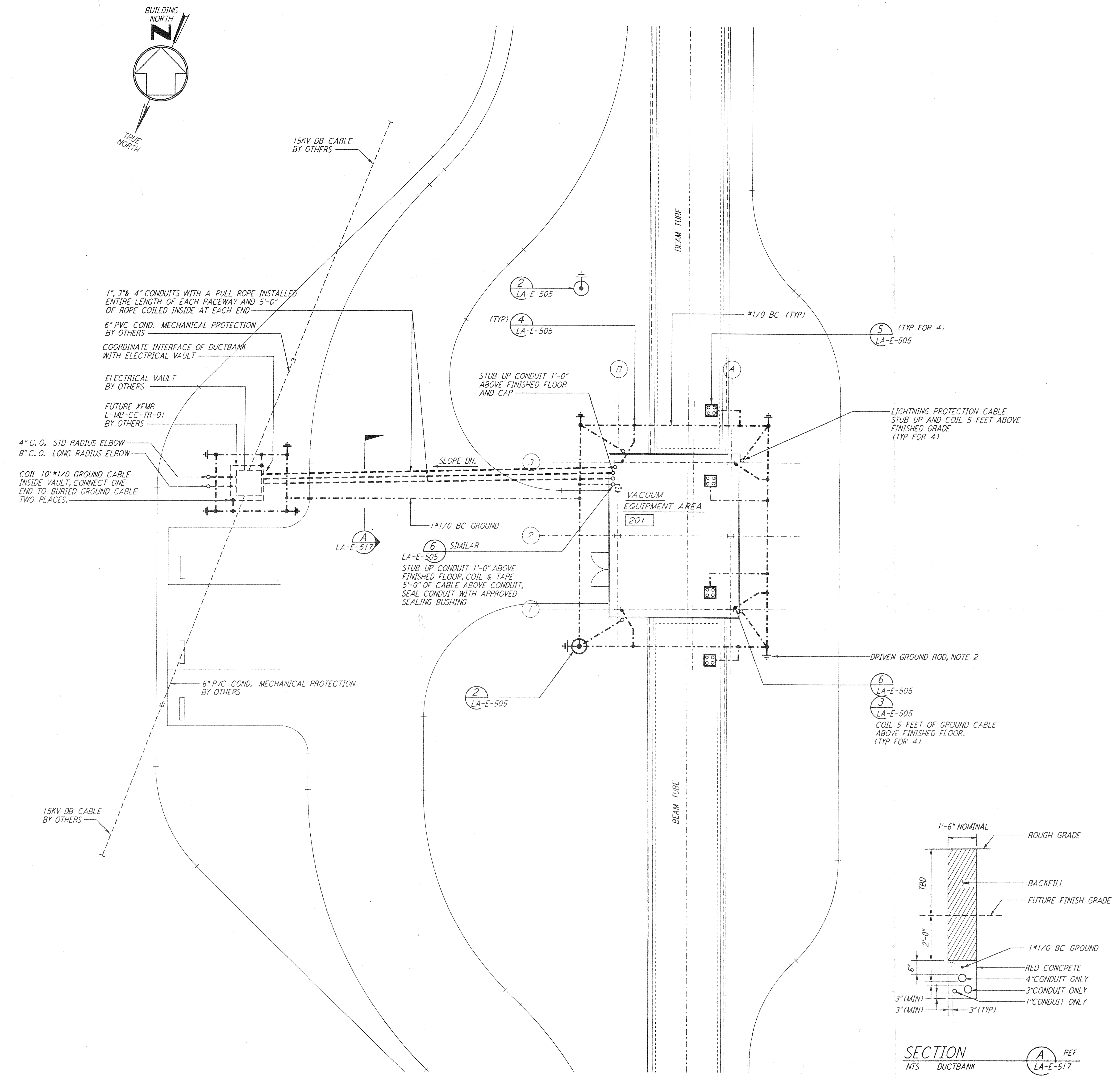


**NOTES:**

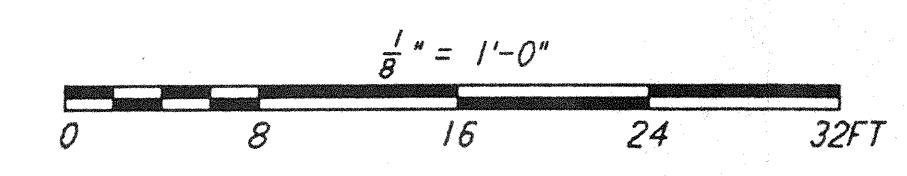
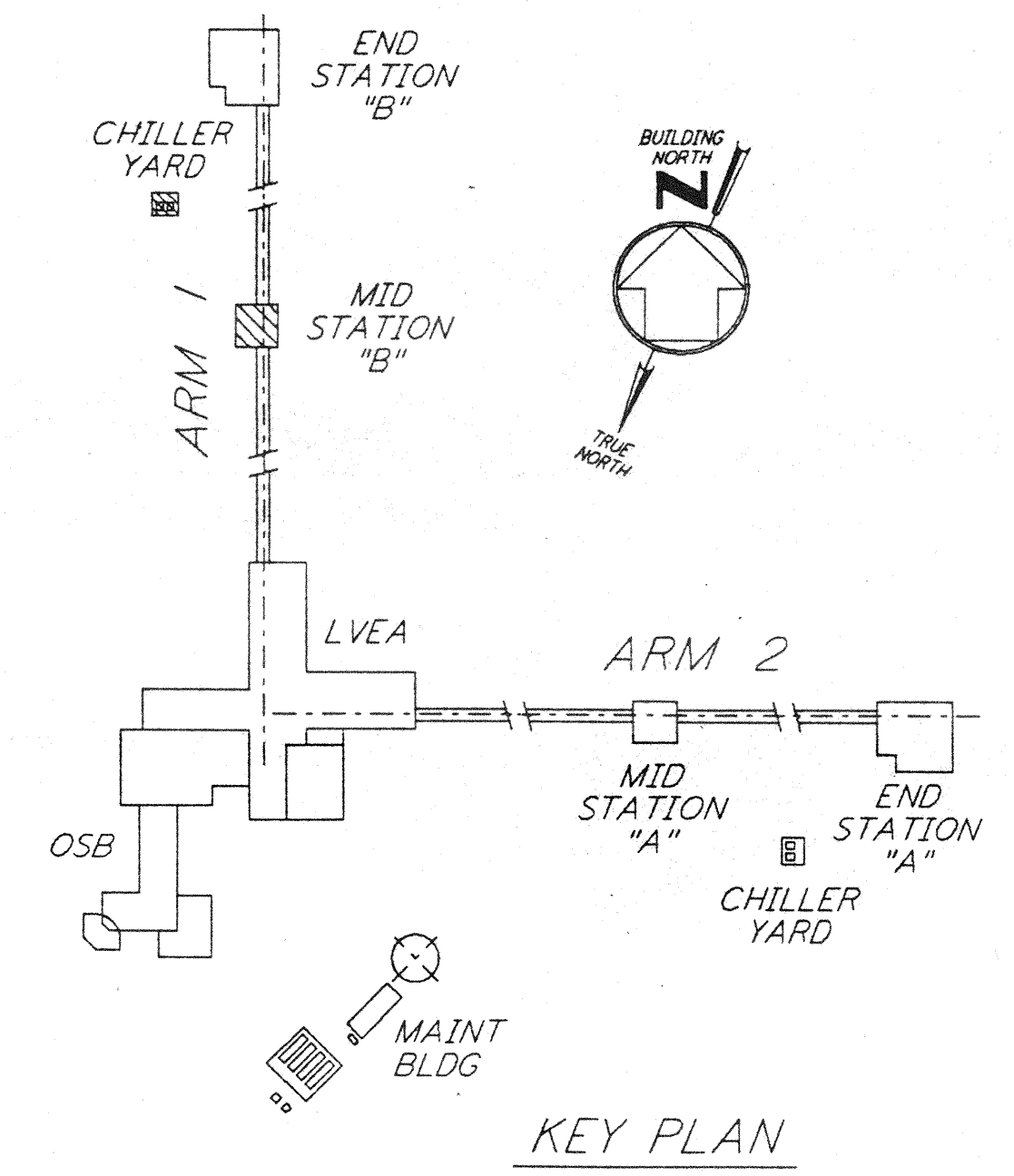
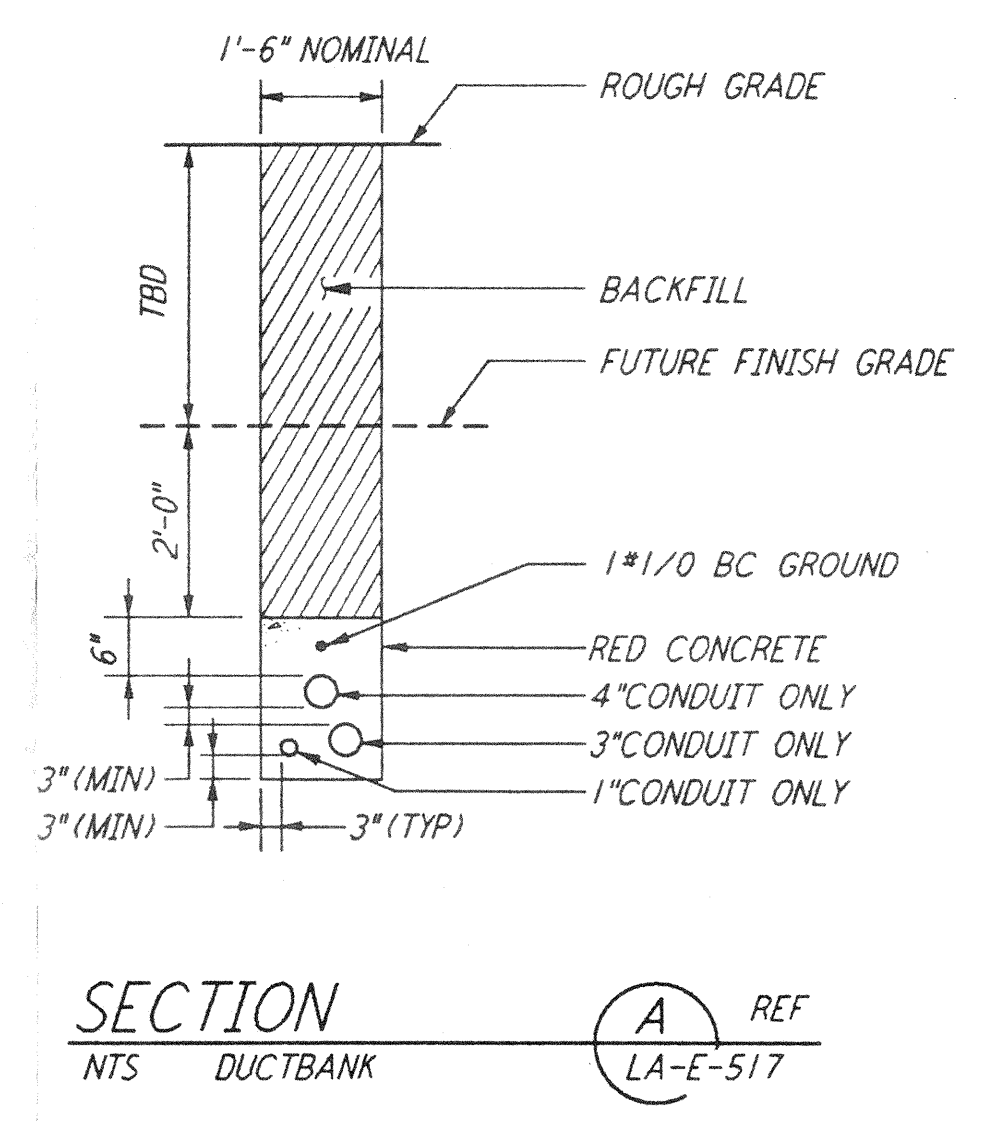
1. SEE CIVIL DRAWING LA-C-541 FOR ACTUAL LOCATION OF ELECTRICAL VAULT.
2. SEE SPECIFICATION SECTION 16670 FOR LIGHTNING PROTECTION AND GROUNDING MATERIAL.
3. LARGE DIAMETER PVC CONDUIT ELBOW SHALL ACCOMMODATE 15 KV TERMINATION ELBOW (TERMINATOR BY OTHERS)
4. CONDUIT ELBOW STUB-UPS AT ELECTRICAL VAULT ARE BEING PROVIDED TO ACCOMMODATE FUTURE BAKE-OUT TRANSFORMERS BY OTHERS.
5. PROVIDE PULLROPES AND CONDUIT CAPS FOR ALL CONDUIT STUB-UPS.

not be reproduced, copied, loaned, exhibited, or used in any other way, except by written consent from PARSONS to the borrower.

This document and the design it covers are the property of PARSONS. They are loaned only with the borrower's expressed written agreement that they will



**GROUNDING & UNDERGROUND PLAN**



NO.	DATE	BY	CHKD	ENGR	PROJ	DESCRIPTION

ISSUED FOR CONSTRUCTION		
DRAWN	M. M.	11-15-96
CHECKED	JCL	7-24-96
ENGINEER	KCC	10-25-96
PROJ	SPR	11/15/96

M. M. M. M.  
 25008 96

100 WEST WALNUT STREET  
 PASADENA, CALIFORNIA

CALIFORNIA INSTITUTE OF TECHNOLOGY  
 MASSACHUSETTS INSTITUTE OF TECHNOLOGY

LASER INTERFEROMETER  
 GRAVITATIONAL-WAVE OBSERVATORY  
 BEAM TUBE ENCLOSURE - LIVINGSTON, LA

**ELECTRICAL  
 MID STATION B  
 GROUNDING &  
 UNDERGROUND PLAN**

SCALE: AS NOTED  
 CONTRACT NUMBER: PP150969  
 PROJECT NUMBER: 8094  
 SHEET NUMBER: LA-E-517  
 REVISIONS: