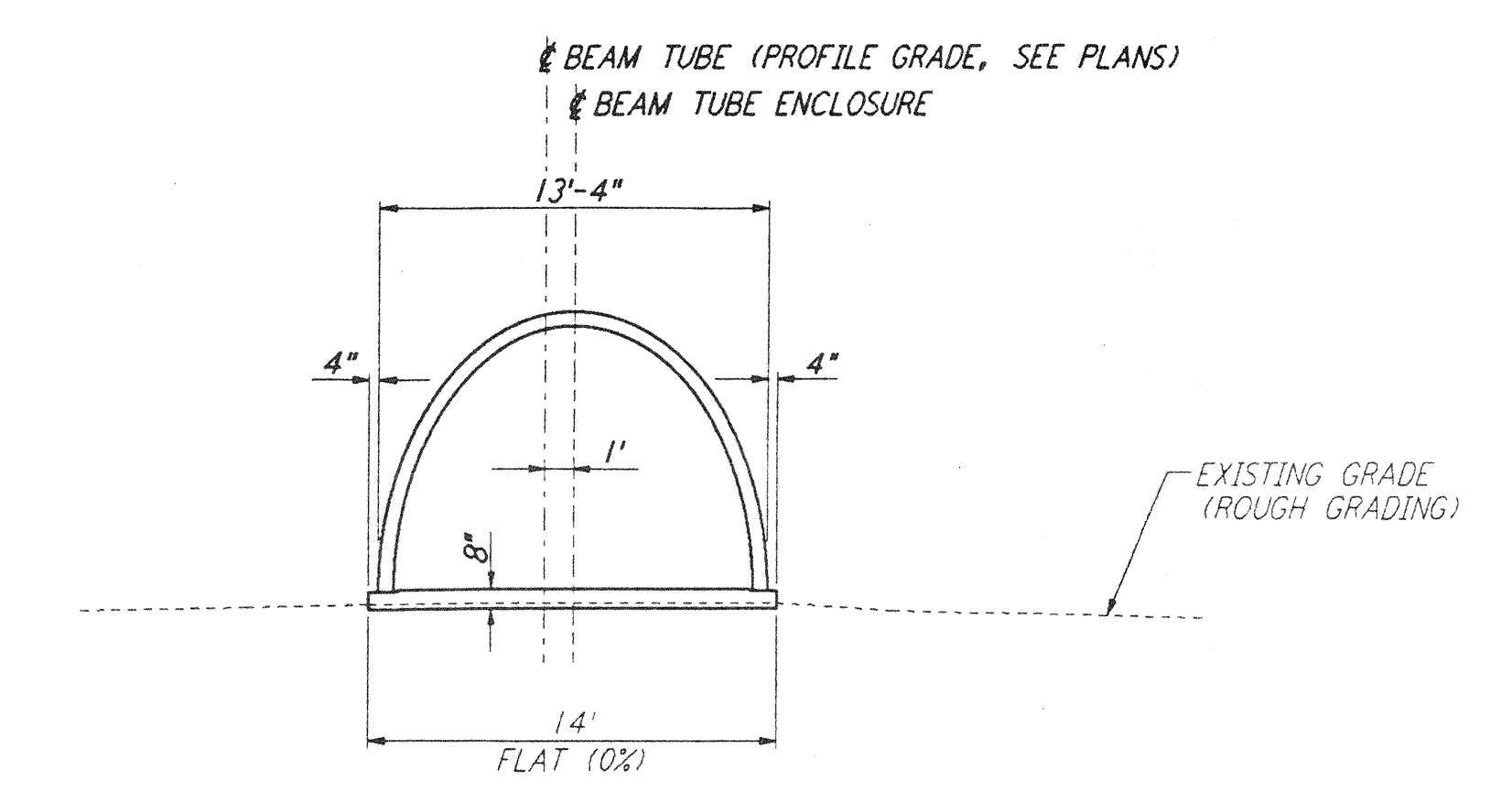
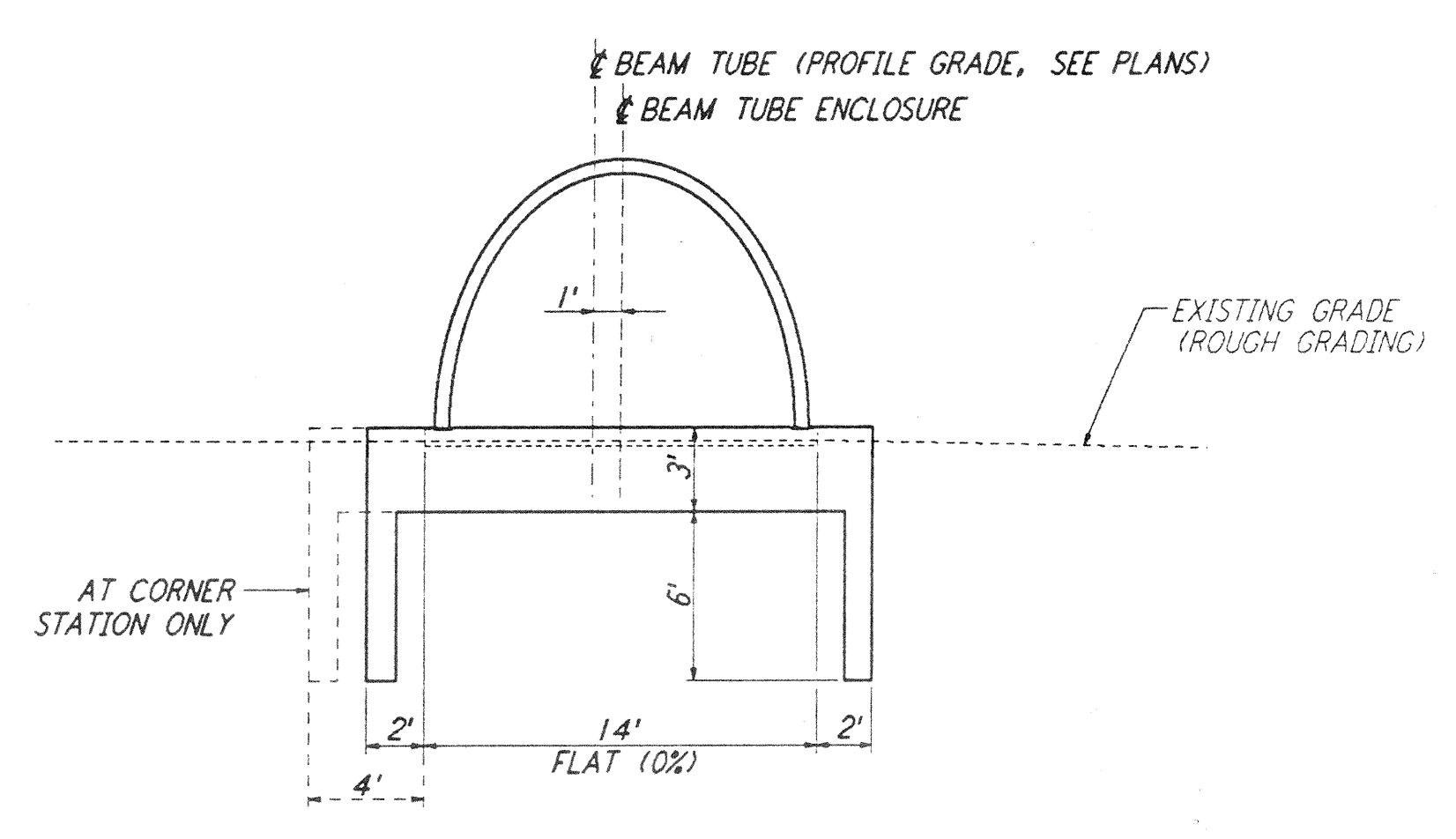


This document and the design it covers are the property of PARSONS. They are loaned only with the borrower's expressed written agreement that they will not be reproduced, copied, loaned, exhibited, or used in any other way, except by written consent from PARSONS to the borrower.



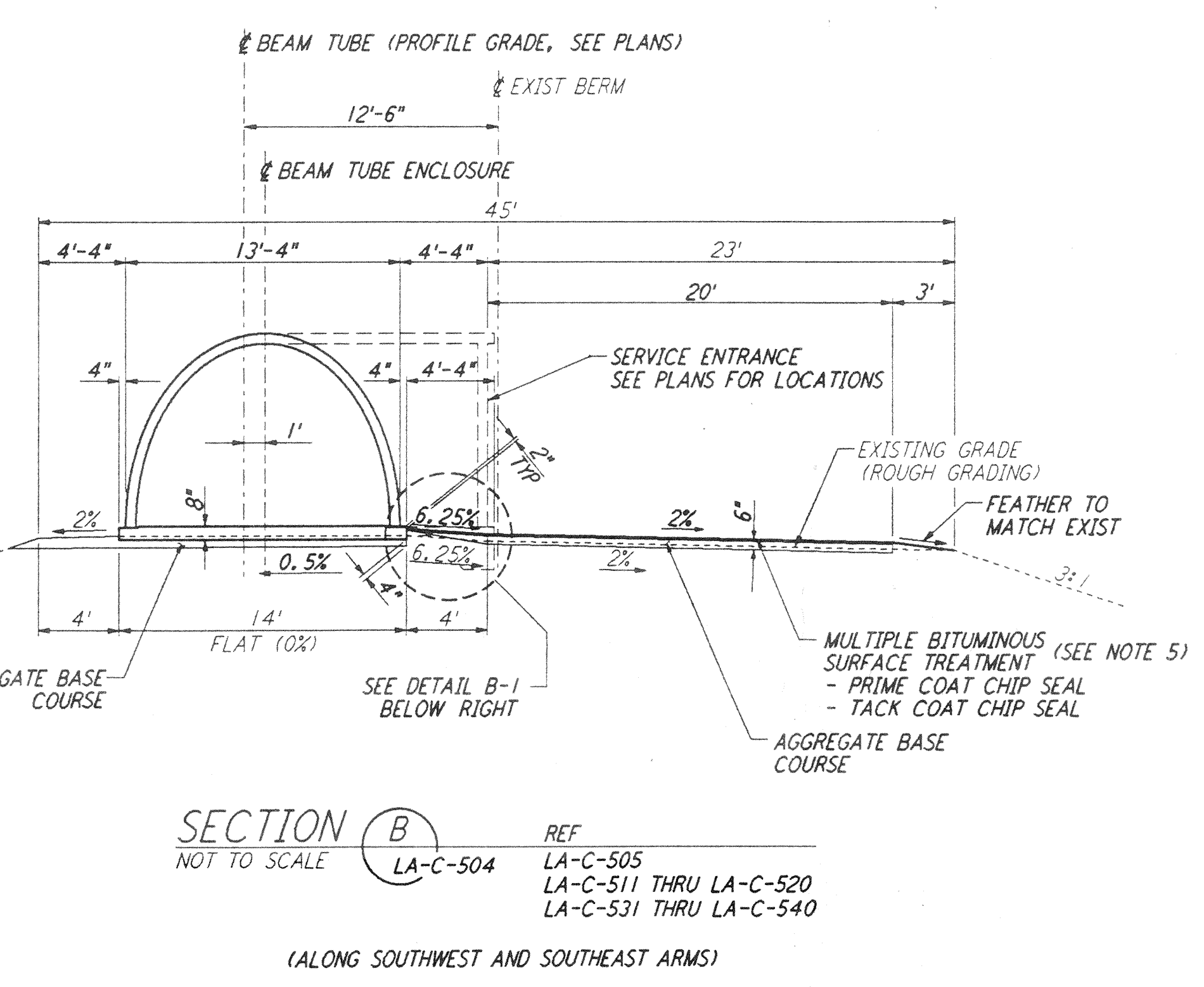
SOUTHWEST ARM: STA 1+72.48 THRU STA 5+84.85  
 STA 64+90.37 THRU STA 66+02.66  
 STA 66+31.83 THRU STA 67+11.70  
 STA 128+56.67 THRU STA 130+64.05

SOUTHEAST ARM: STA 1+72.48 THRU STA 4+54.37  
 STA 64+90.37 THRU STA 66+02.66  
 STA 66+31.83 THRU STA 67+11.70  
 STA 128+56.67 THRU STA 130+64.05



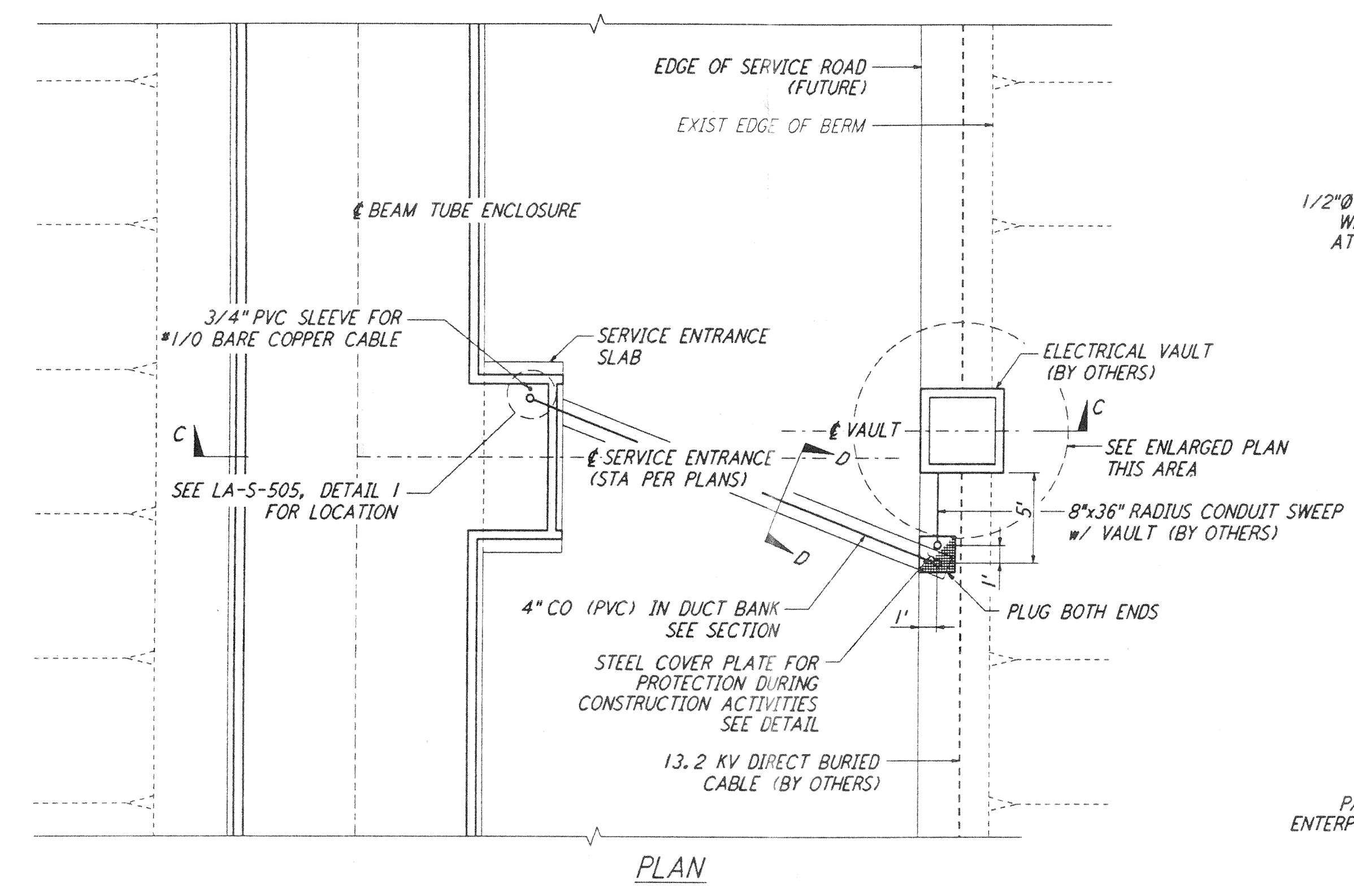
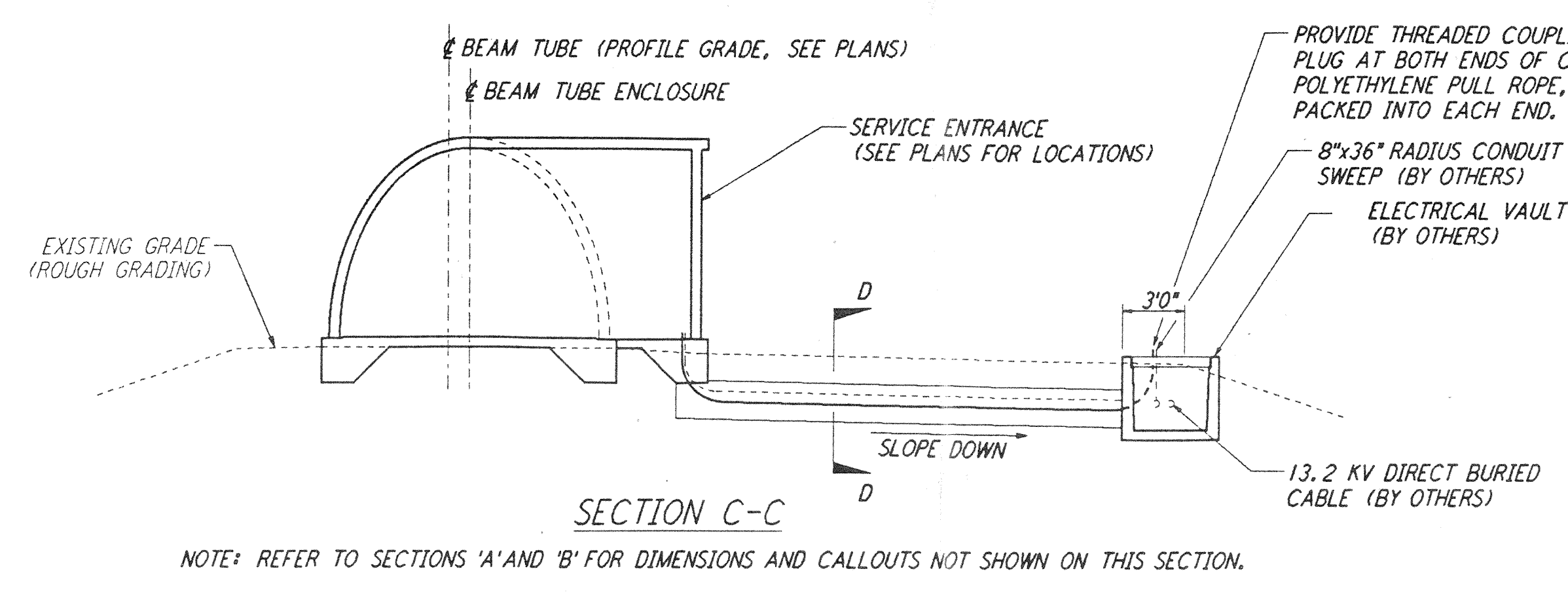
SOUTHWEST ARM: STA 1+47.48 THRU STA 1+72.48  
 STA 130+64.05 THRU STA 130+89.05

SOUTHEAST ARM: STA 1+47.48 THRU STA 1+72.48  
 STA 130+64.05 THRU STA 130+89.05

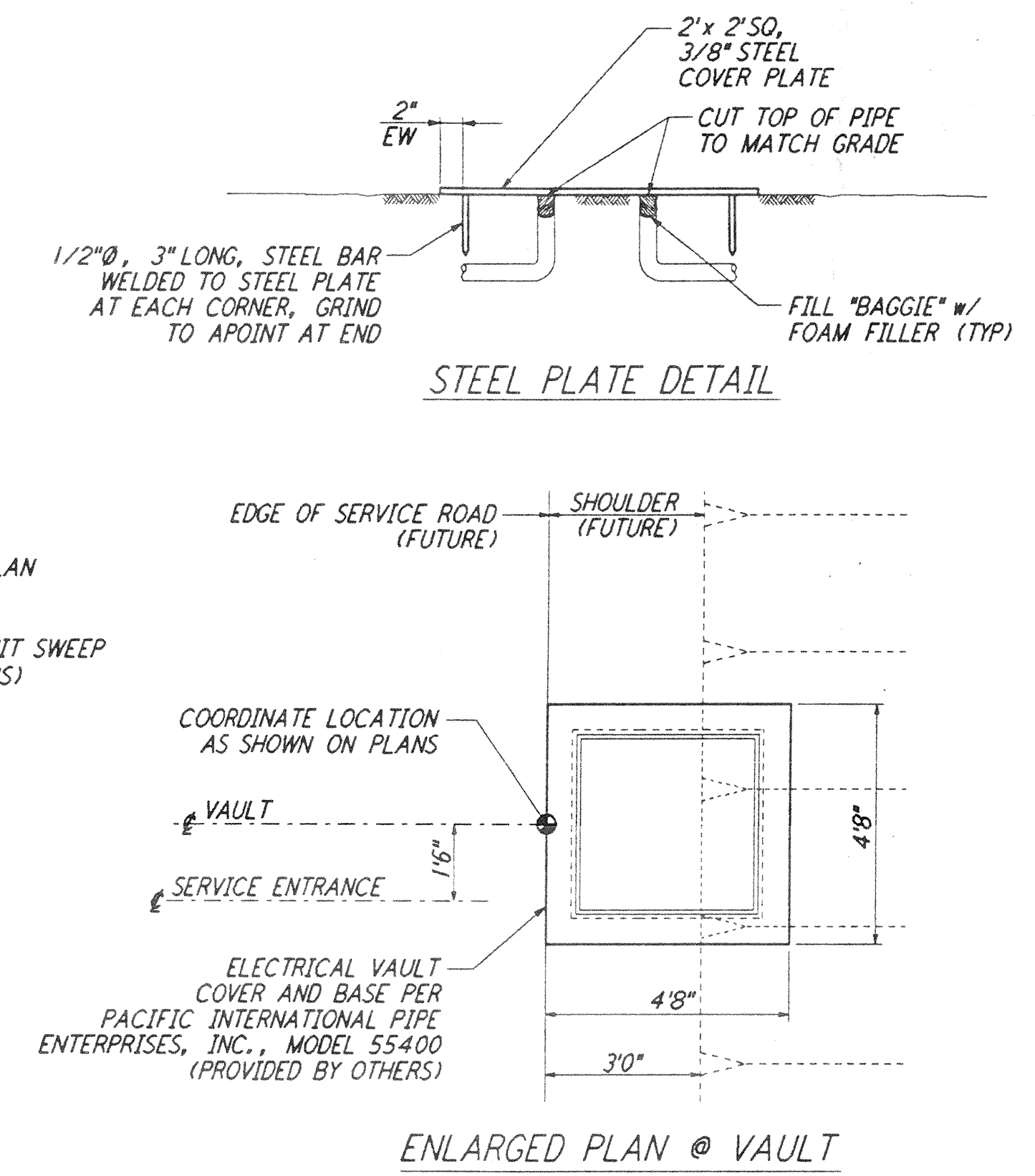
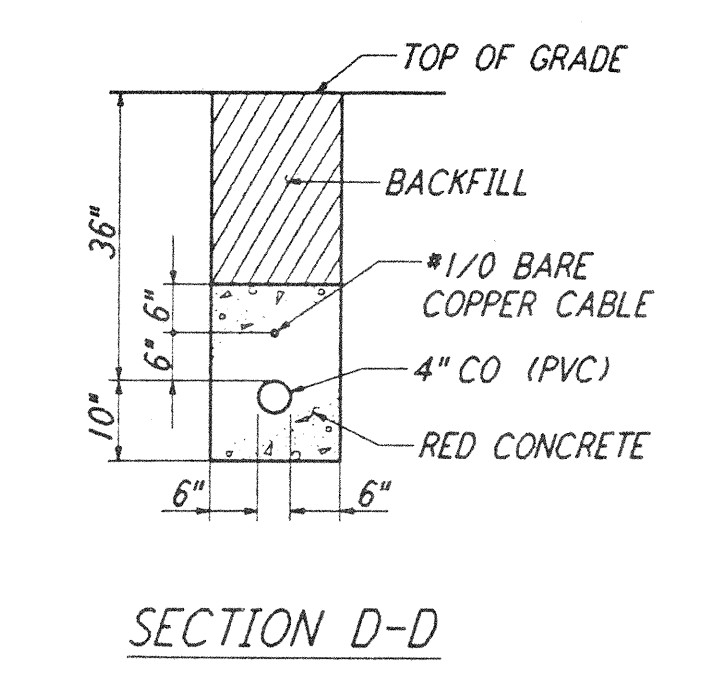


SOUTHWEST ARM: STA 5+84.85 THRU STA 64+90.37  
 STA 67+11.70 THRU STA 128+56.67

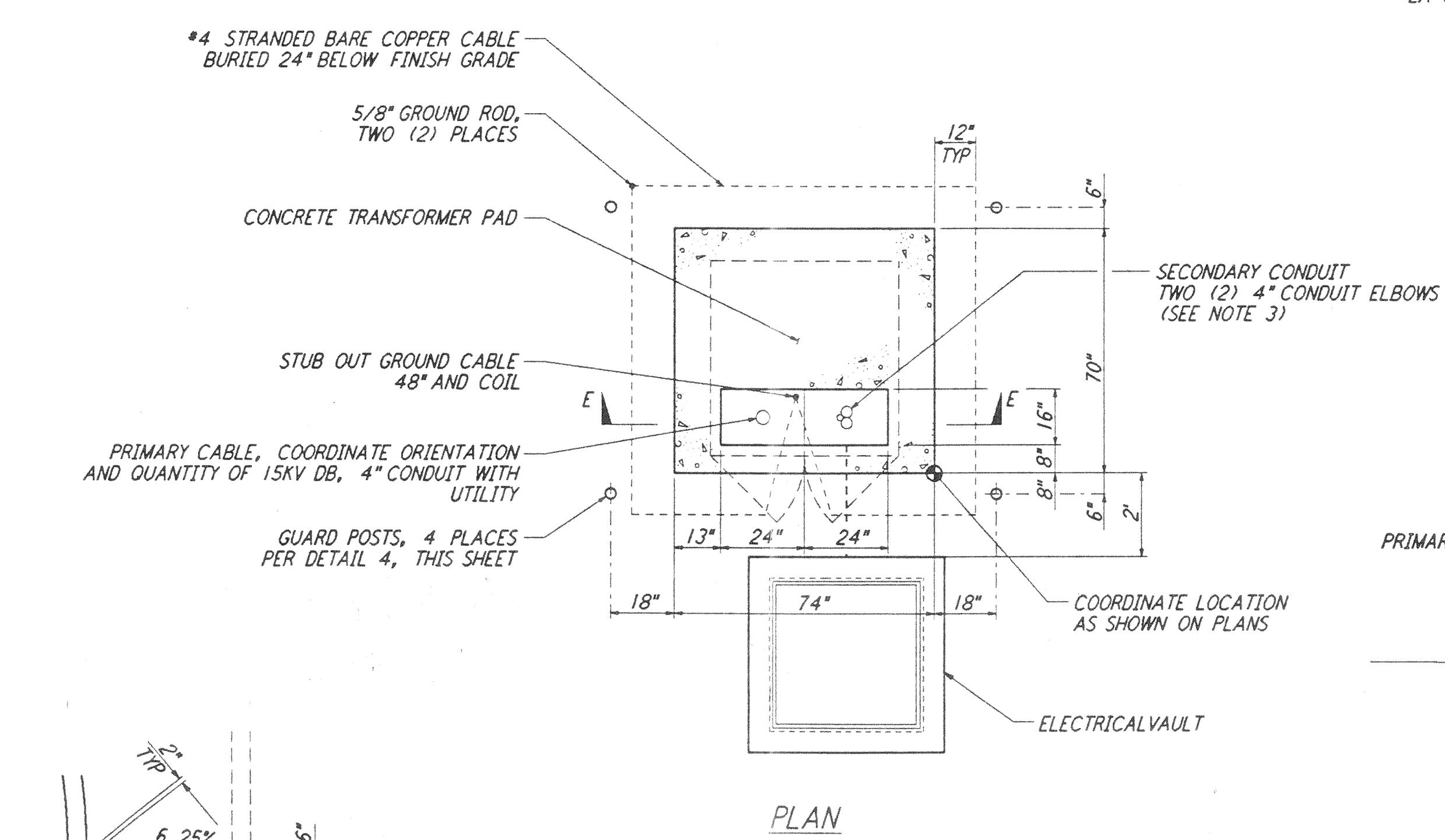
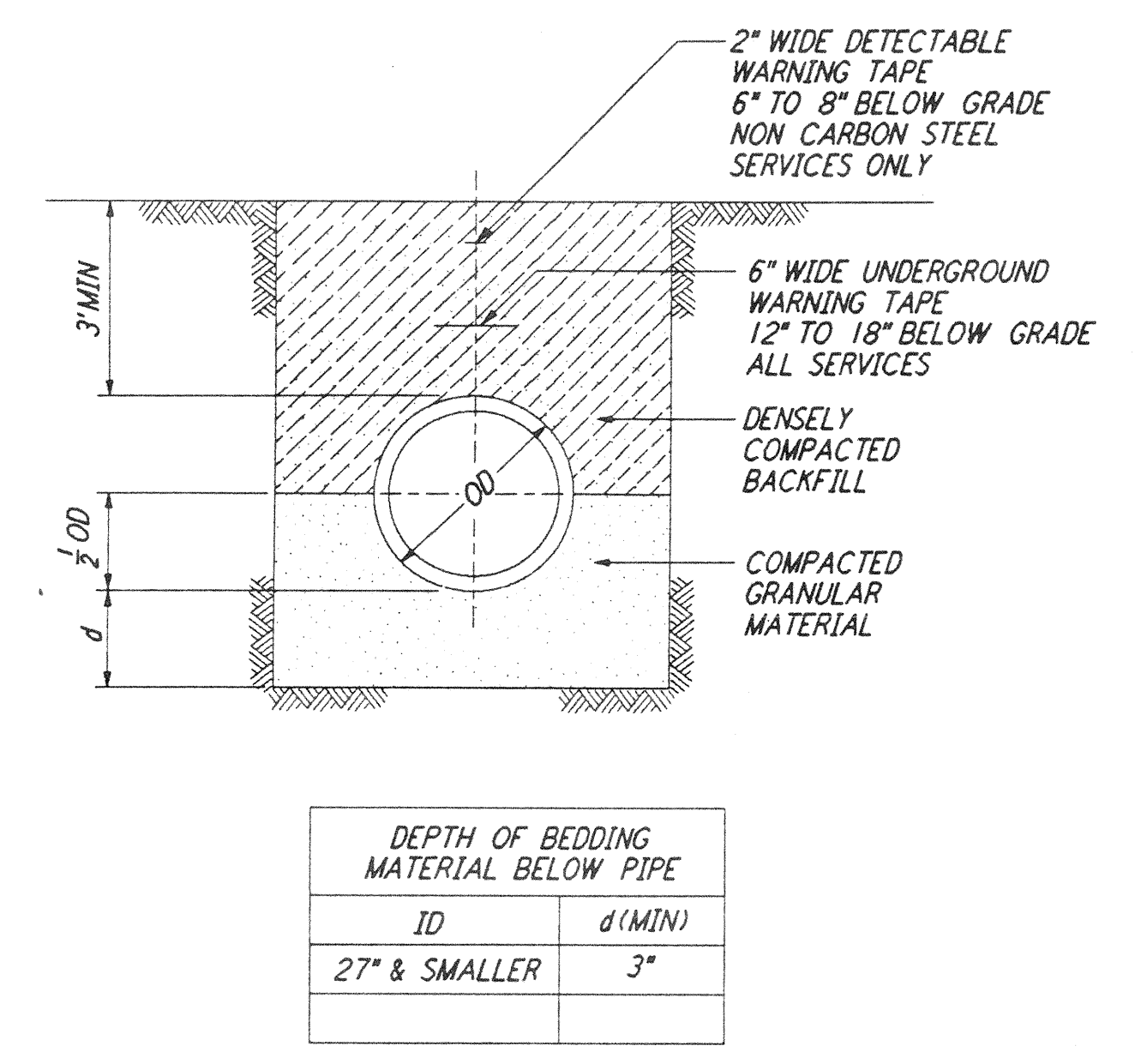
SOUTHEAST ARM: STA 4+54.37 THRU STA 64+90.37  
 STA 67+11.70 THRU STA 128+56.67



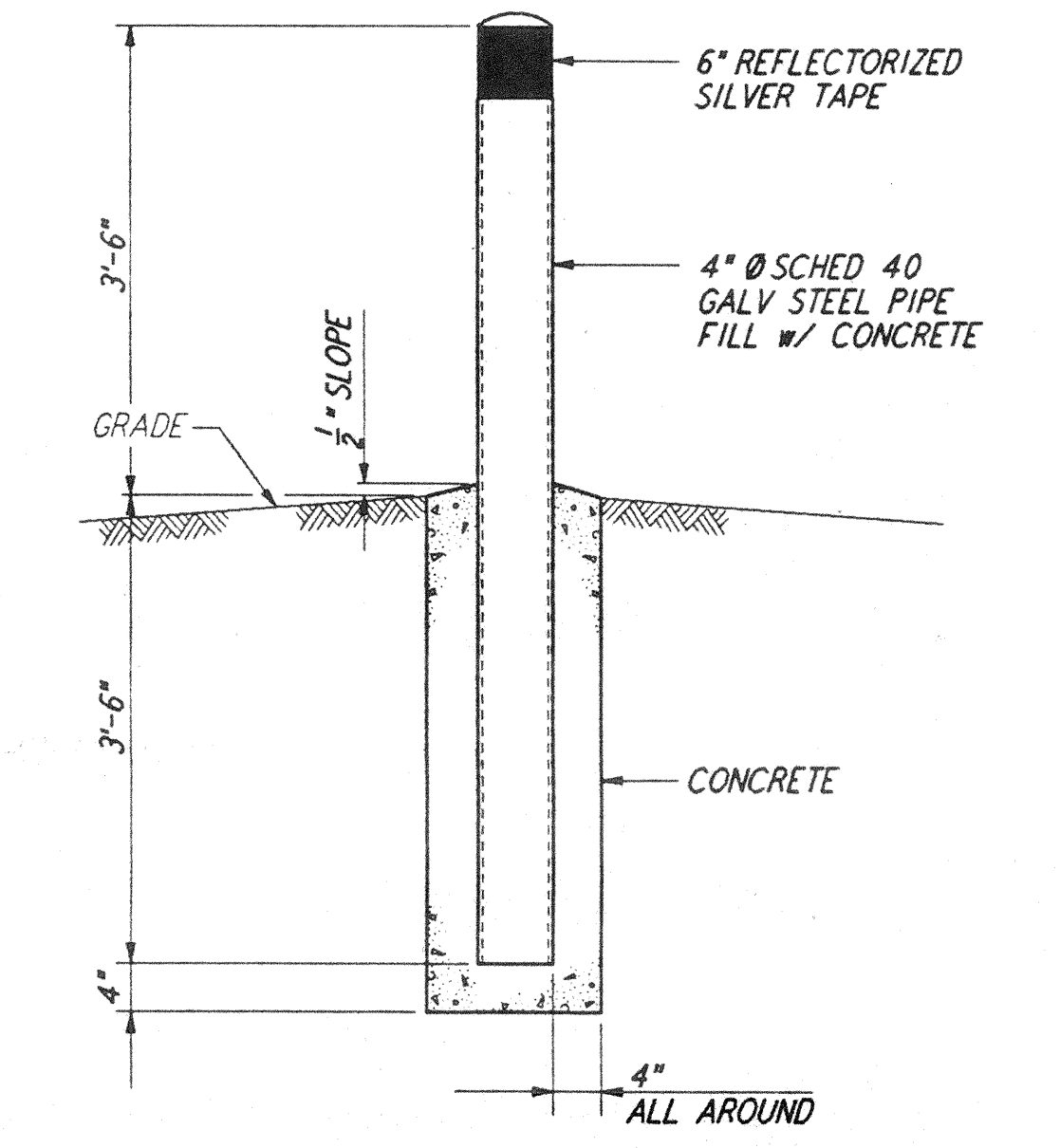
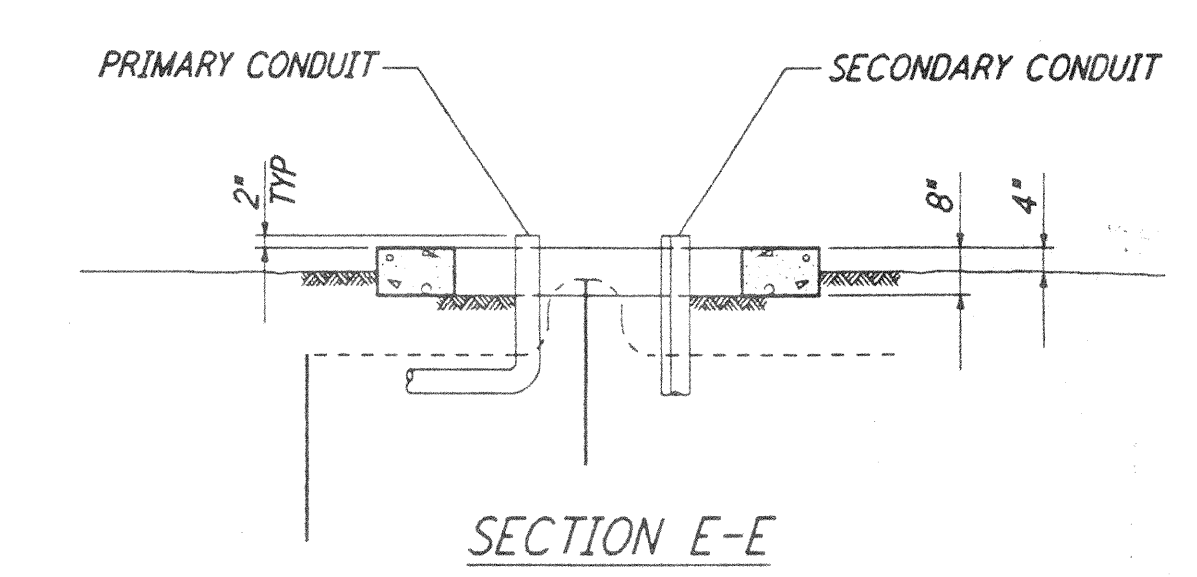
TYPICAL LOCATION PLAN @ SERVICE ENTRANCE FOR ELECTRICAL VAULT  
 NOT TO SCALE



- NOTES:
- SEE SHEET LA-C-502 FOR GENERAL NOTES, LEGEND AND ABBREVIATIONS.
  - FOR SOUTHEAST ARM, SECTIONS 'A' AND 'A (SIM)' ARE MIRRORED ABOUT THE BEAM TUBE CENTERLINE.
  - SECONDARY CONDUIT DIRECTION SHALL FACE END STATION, AS APPROPRIATE.
  - CONDUITS SHALL EXTEND TOWARD BUILDING VIA DUCT BANK, DETAIL 4, THIS SHEET.
  - BITUMINOUS SURFACE TREATMENT TO BE APPLIED WHEN SCHEDULED BY THE CONSTRUCTION MANAGER.



TYPICAL LOCATION PLAN FOR ELECTRICAL TRANSFORMER PAD  
 NOT TO SCALE



NO.	DATE	BY	CHKD	ENGR	PROJ	DESCRIPTION

ISSUED FOR CONSTRUCTION	
DRAWN	WRB 11-15-96
CHECKED	ML 11-15-96
ENGINEER	JLB 11/15/96
PROJ	11/15/96

**PARSONS**  
 100 WEST WALNUT STREET  
 PASADENA, CALIFORNIA

**LIGO**  
 CALIFORNIA INSTITUTE OF TECHNOLOGY  
 MASSACHUSETTS INSTITUTE OF TECHNOLOGY

LASER INTERFEROMETER GRAVITATIONAL-WAVE OBSERVATORY BEAM TUBE ENCLOSURE - LIVINGSTON, LA			
TITLE	SCALE	CONTRACT NUMBER	PROJECT NUMBER
CIVIL TYPICAL SECTIONS AND DETAILS	NONE	PP150969	8094
SHEET NUMBER		LA-C-504	