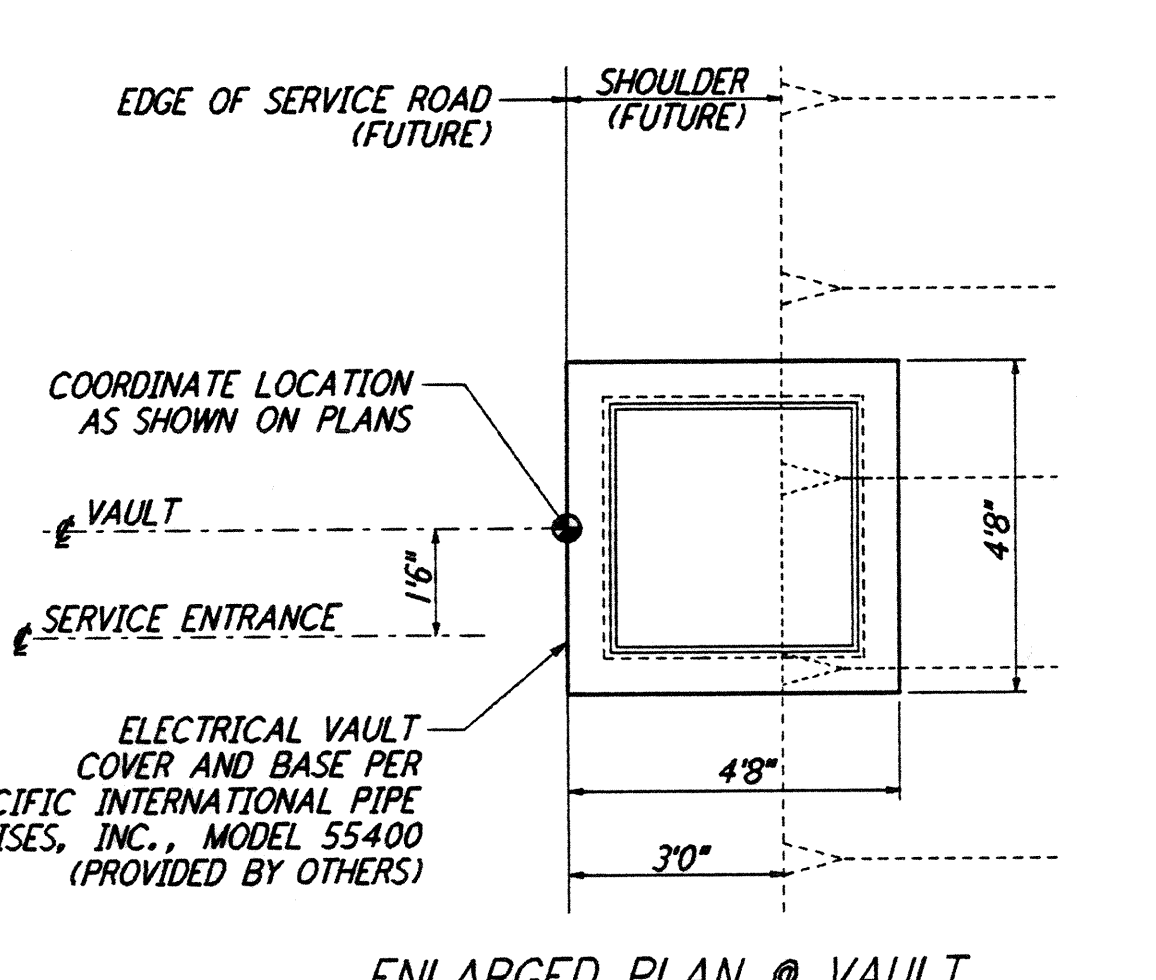
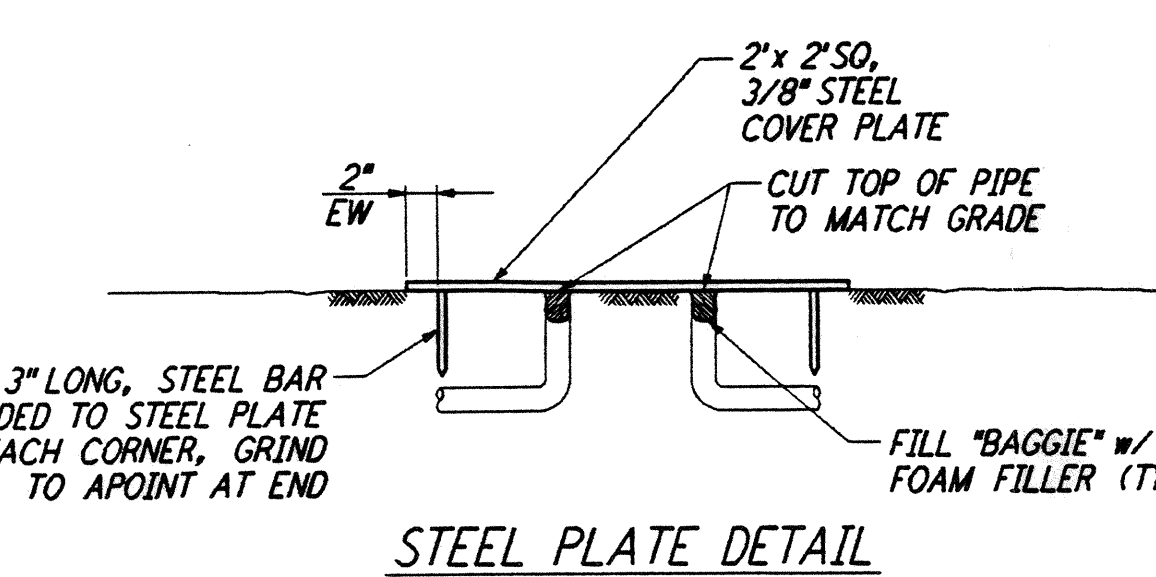
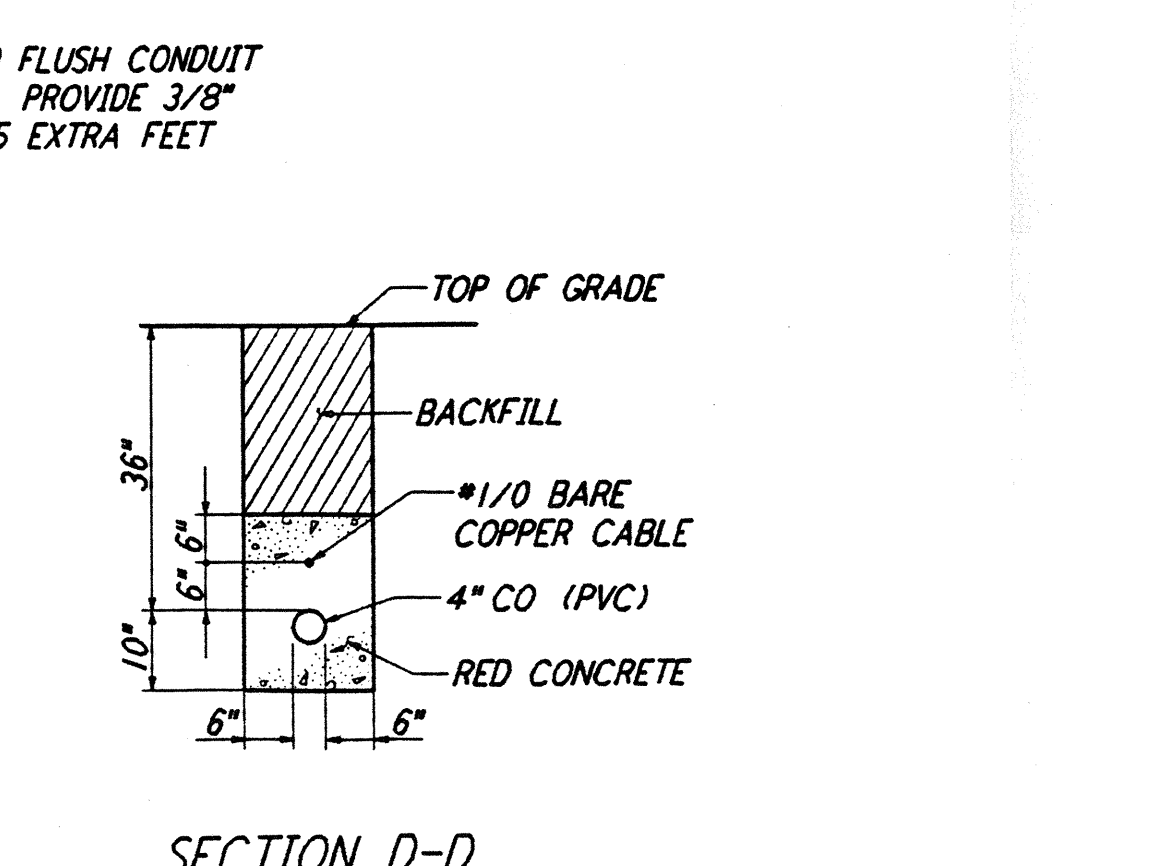
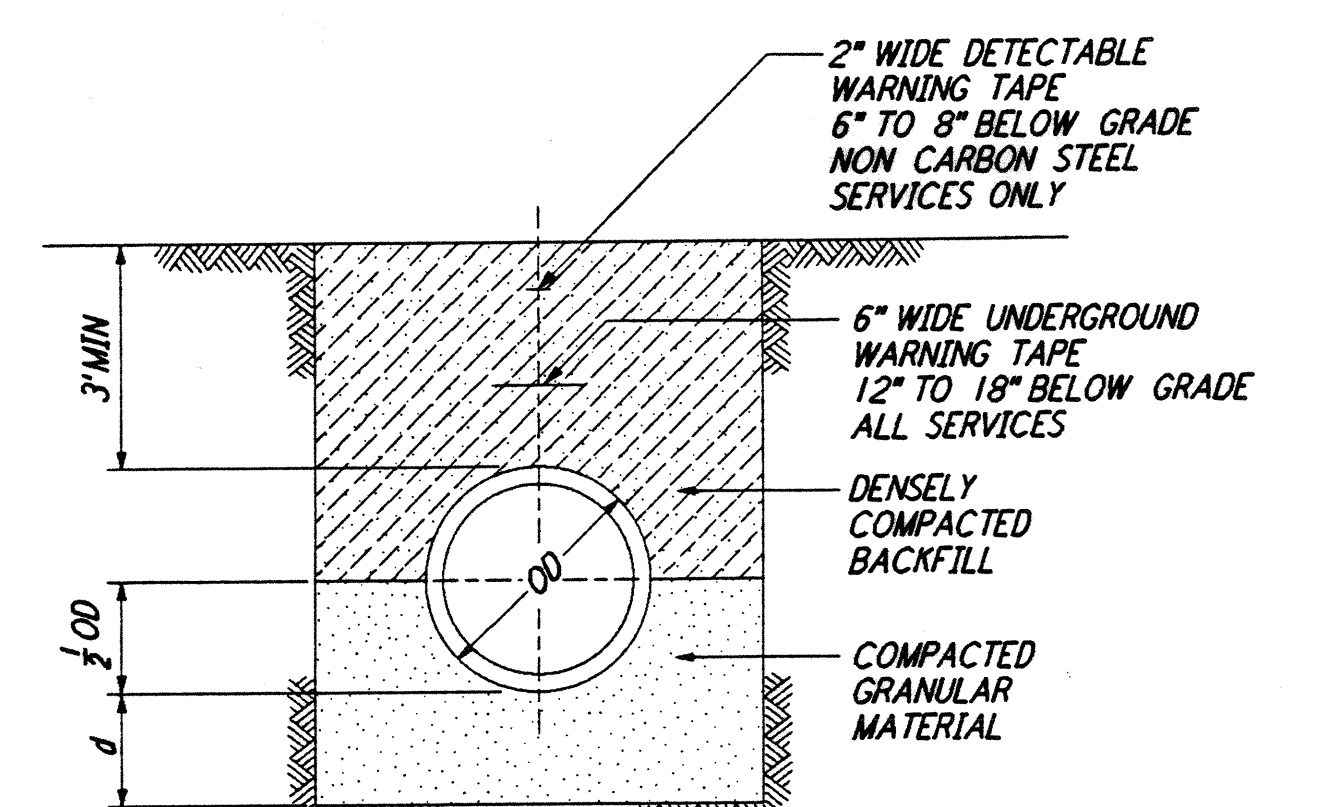


TYPICAL LOCATION PLAN @ SERVICE ENTRANCE FOR ELECTRICAL VAULT (1)
 NOT TO SCALE



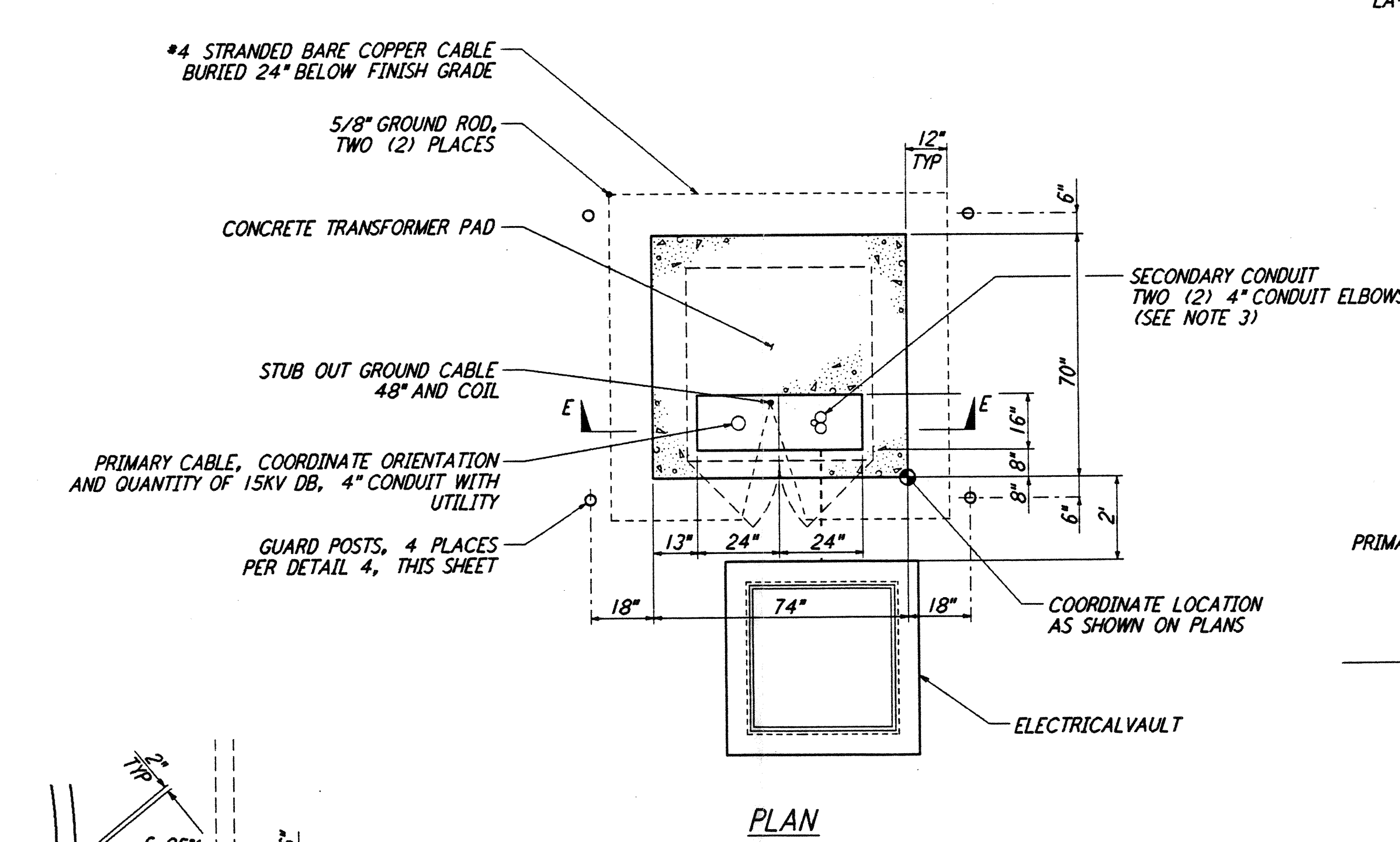
TYPICAL LOCATION PLAN FOR ELECTRICAL TRANSFORMER PAD (3)
 NOT TO SCALE

- NOTES:
- SEE SHEET LA-C-502 FOR GENERAL NOTES, LEGEND AND ABBREVIATIONS.
 - FOR SOUTHEAST ARM, SECTIONS 'A' AND 'A (SIM)' ARE MIRRORED ABOUT THE BEAM TUBE CENTERLINE.
 - SECONDARY CONDUIT DIRECTION SHALL FACE END STATION, AS APPROPRIATE.
 - CONDUITS SHALL EXTEND TOWARD BUILDING VIA DUCT BANK, DETAIL 4, THIS SHEET.
 - BITUMINOUS SURFACE TREATMENT TO BE APPLIED WHEN SCHEDULED BY THE CONSTRUCTION MANAGER.

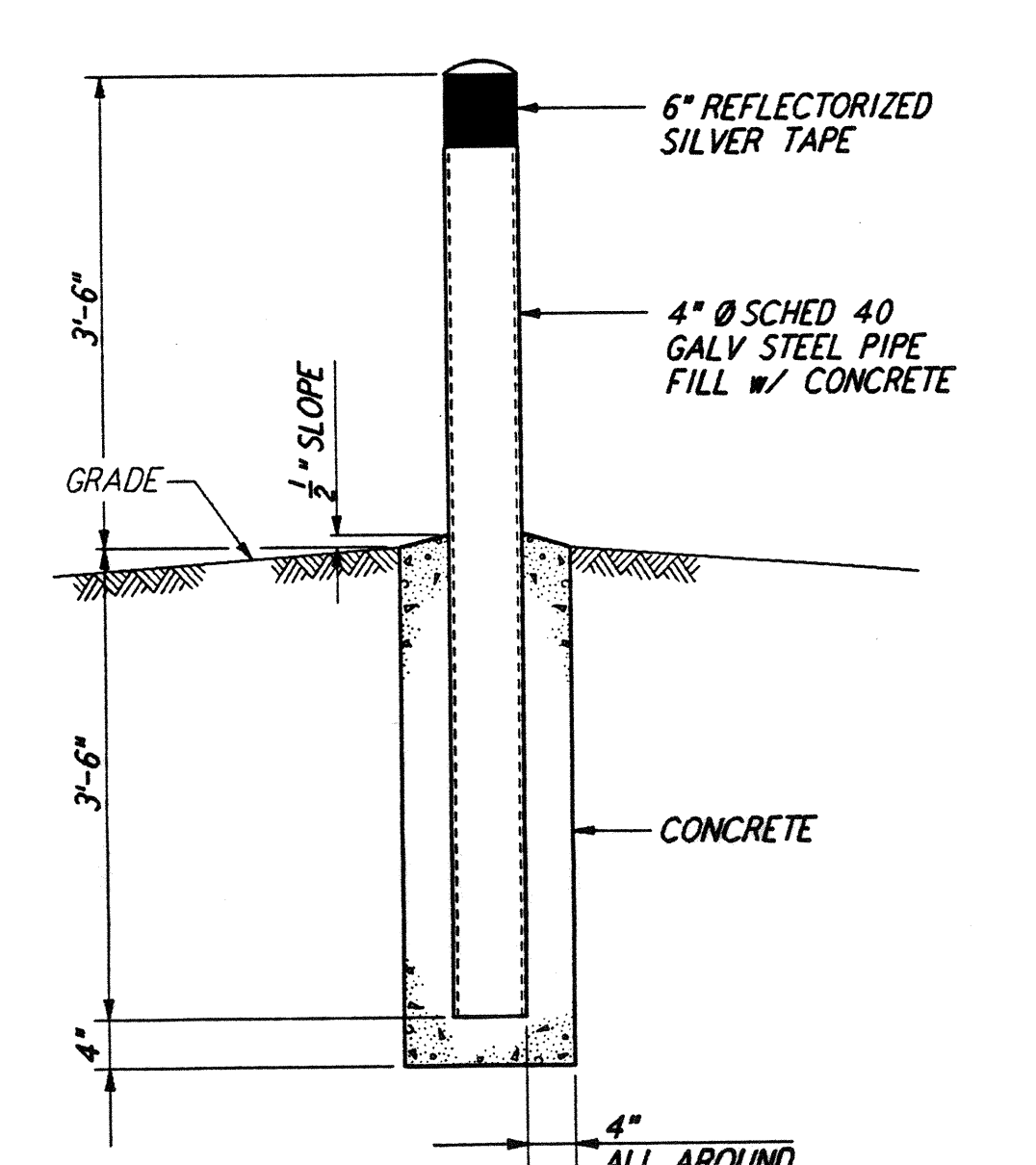
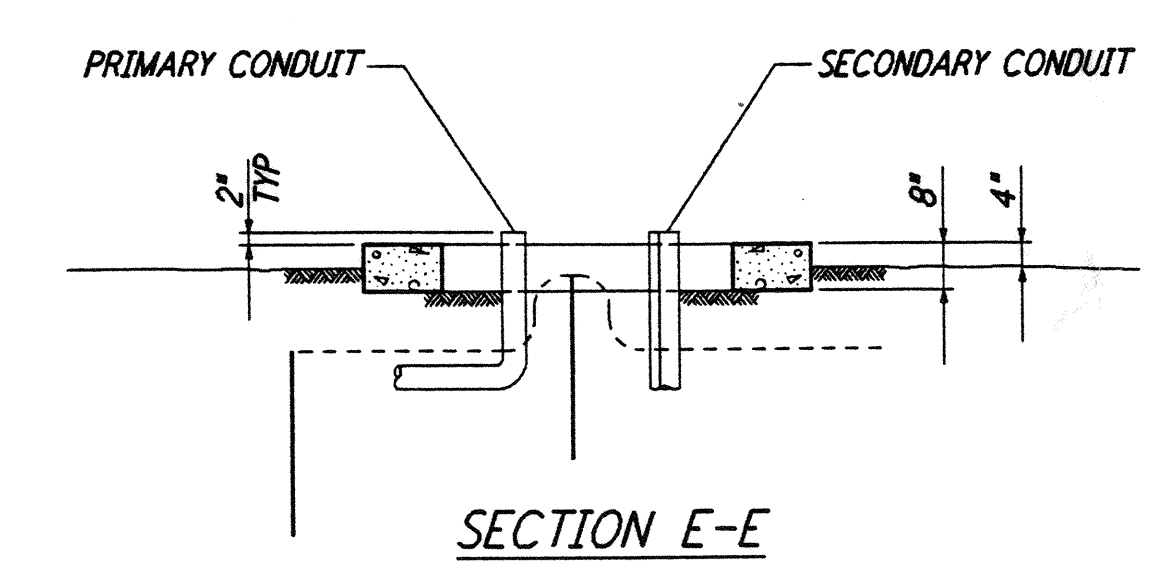


DEPTH OF BEDDING MATERIAL BELOW PIPE	
ID	d (MIN)
2" & SMALLER	3"

TRENCH BEDDING (2)
 NOT TO SCALE



TYPICAL LOCATION PLAN FOR ELECTRICAL TRANSFORMER PAD (3)
 NOT TO SCALE



GUARD POST (4)
 NOT TO SCALE

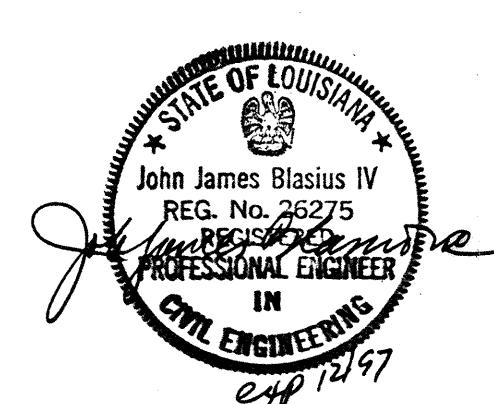
LIGO-D961261-01-0

not be reproduced, copied, loaned, exhibited, or used in any other way, except by written consent from PARSONS to the borrower.

This document and the design it covers are the property of PARSONS. They are loaned only with the borrower's expressed written agreement that they will

NO.	DATE	BY	CHKD	ENGR	PROJ	REVISIONS
1	3-20-97	WRB	CL			REVISED STATIONS - SECTION A

ISSUED FOR CONSTRUCTION		
DRAWN	WRB	11-15-96
CHECKED	ML	11-15-96
ENGINEER	JB	11-15-96
PROJ	TDM	11-15-96



PARSONS
 100 WEST WALNUT STREET
 PASADENA, CALIFORNIA

LIGO
 CALIFORNIA INSTITUTE OF TECHNOLOGY
 MASSACHUSETTS INSTITUTE OF TECHNOLOGY

LASER INTERFEROMETER
 GRAVITATIONAL-WAVE OBSERVATORY
 BEAM TUBE ENCLOSURE - LIVINGSTON, LA

TITLE	SCALE	CONTRACT NUMBER	PROJECT NUMBER
CIVIL TYPICAL SECTIONS AND DETAILS	NONE	PP150969	8094
DRAWING NO.	DESCRIPTION	SHEET NUMBER	REVISIONS
LA-C-504		LA-C-504	