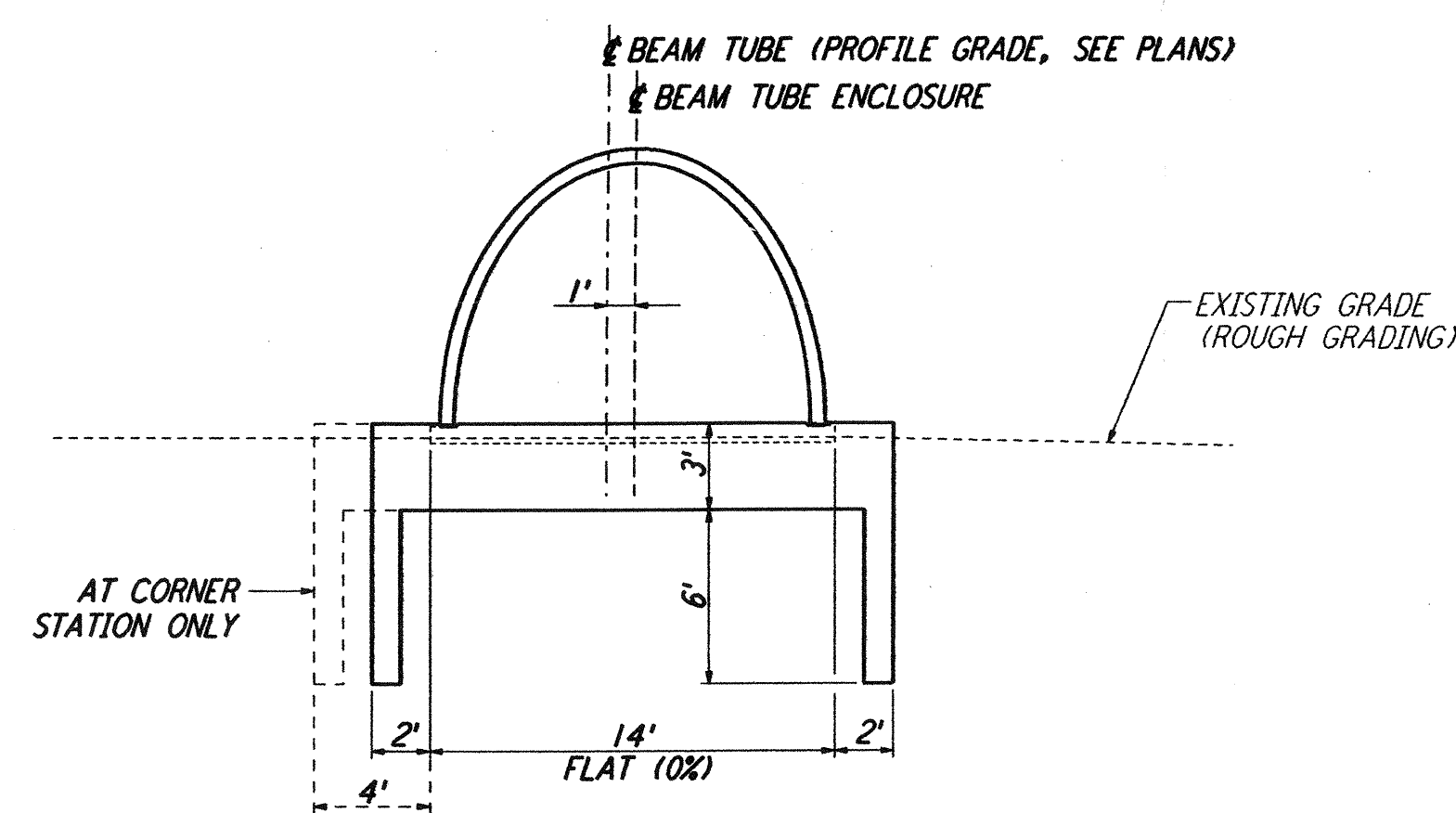


SECTION A
NOT TO SCALE
REF: LA-C-504
LA-C-505, LA-C-511
LA-C-515, LA-C-520
LA-C-531, LA-C-535
LA-C-540

SOUTHWEST ARM: STA 1+72.48 THRU STA 5+84.85
STA 64+90.37 THRU STA 66+04.96
STA 66+33.87 THRU STA 67+11.70
STA 128+56.67 THRU STA 130+64.05

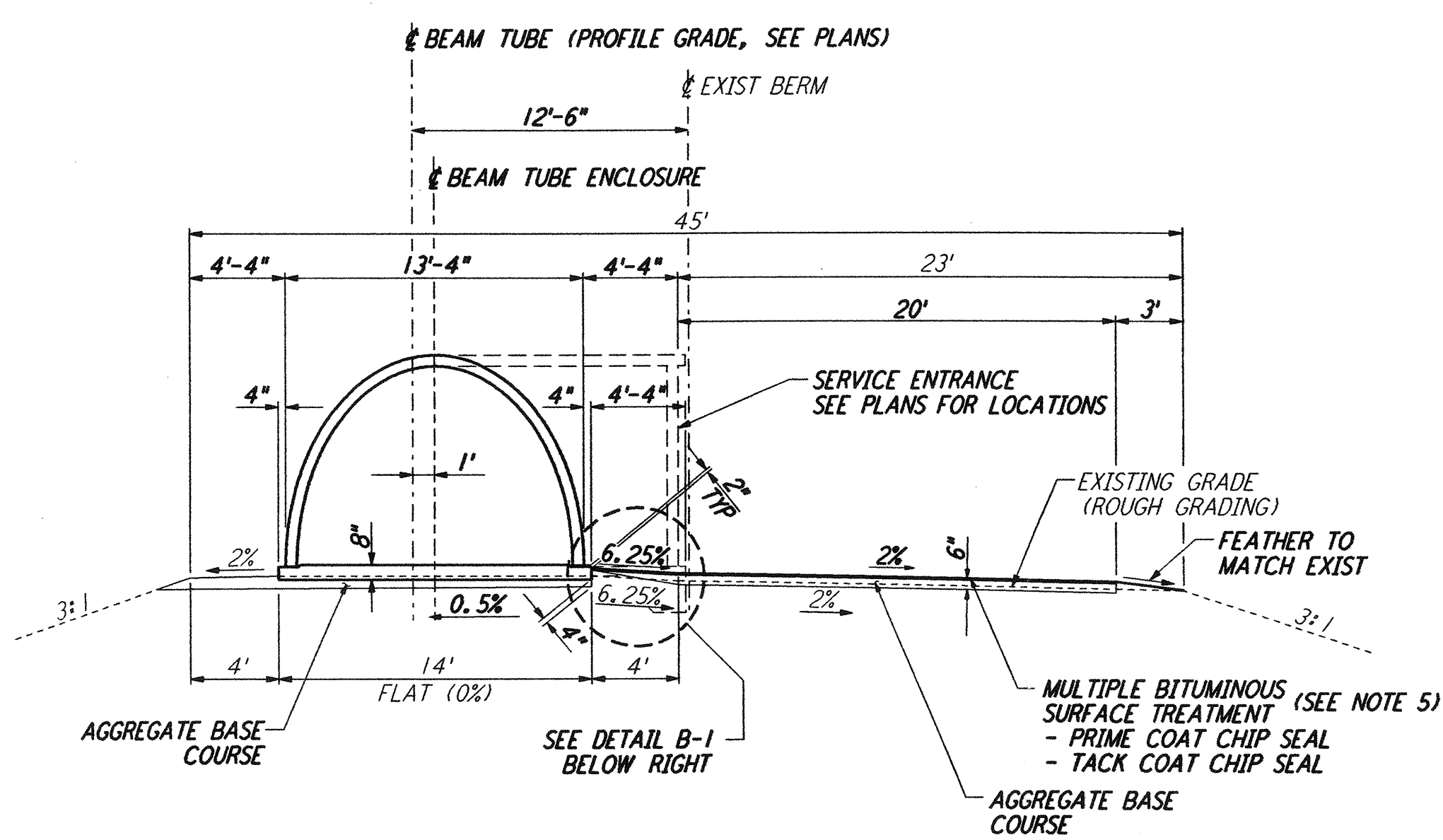
SOUTHEAST ARM: STA 1+72.48 THRU STA 4+54.37
STA 64+90.37 THRU STA 66+04.95
STA 66+33.86 THRU STA 67+11.70
STA 128+56.67 THRU STA 130+64.05



SECTION A (SIM)
NOT TO SCALE
REF: LA-C-504
LA-C-505, LA-C-511
LA-C-520, LA-C-531
LA-C-540

SOUTHWEST ARM: STA 1+47.48 THRU STA 1+72.48
STA 130+64.05 THRU STA 130+89.05

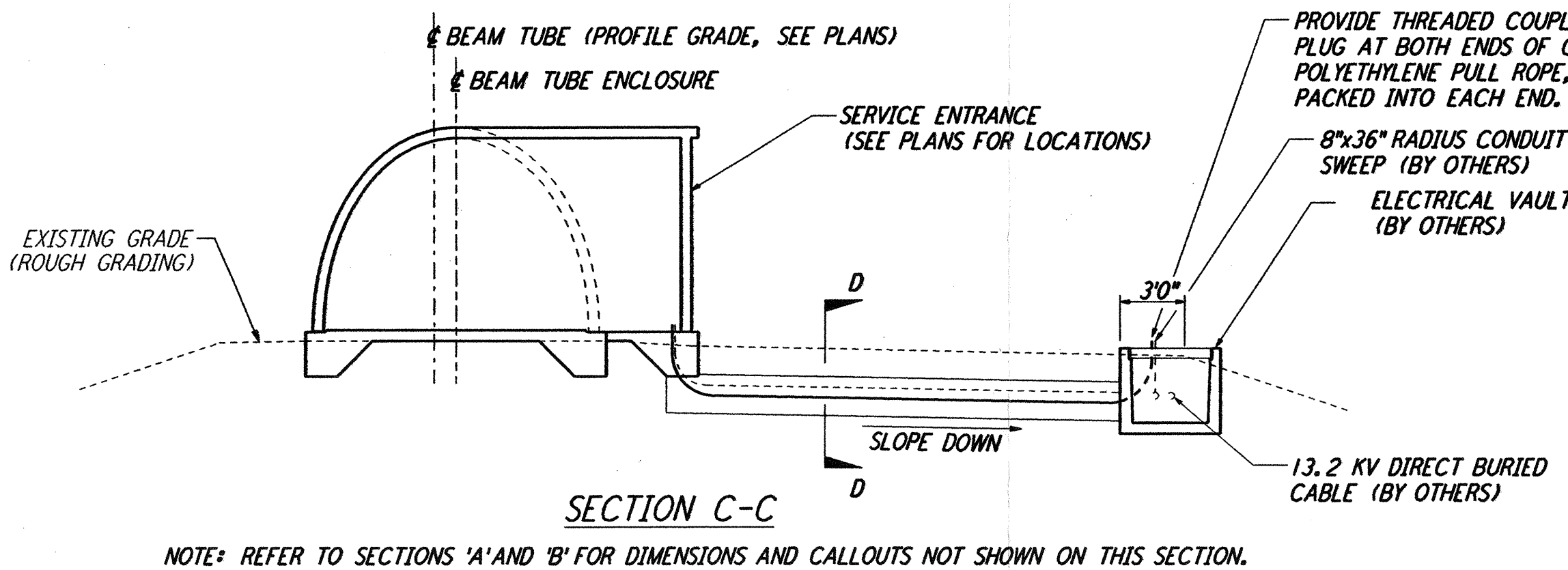
SOUTHEAST ARM: STA 1+47.48 THRU STA 1+72.48
STA 130+64.05 THRU STA 130+89.05



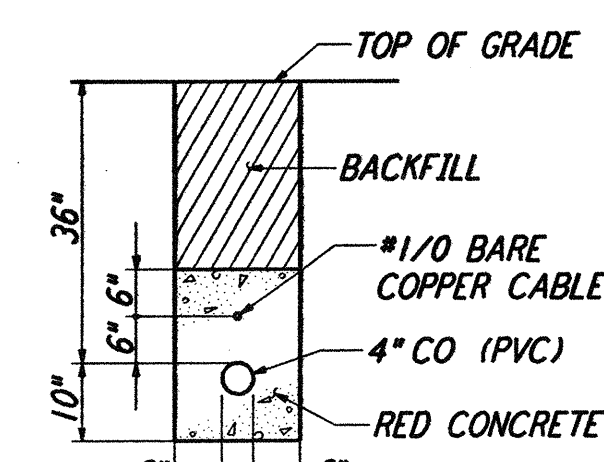
SECTION B
NOT TO SCALE
REF: LA-C-504
LA-C-505
LA-C-511 THRU LA-C-520
LA-C-531 THRU LA-C-540

SOUTHWEST ARM: STA 5+84.85 THRU STA 64+90.37
STA 67+11.70 THRU STA 128+56.67

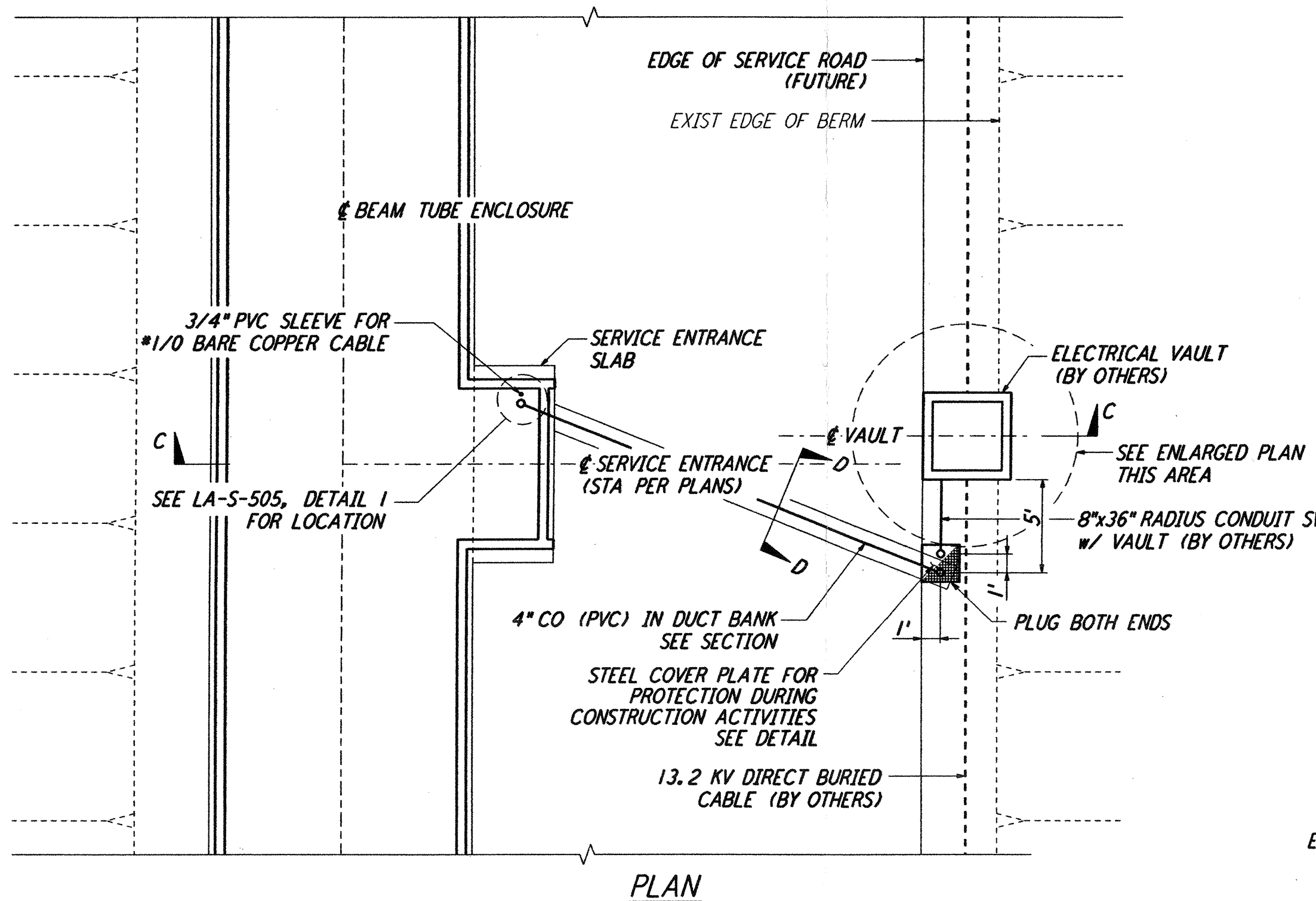
SOUTHEAST ARM: STA 4+54.37 THRU STA 64+90.37
STA 67+11.70 THRU STA 128+56.67



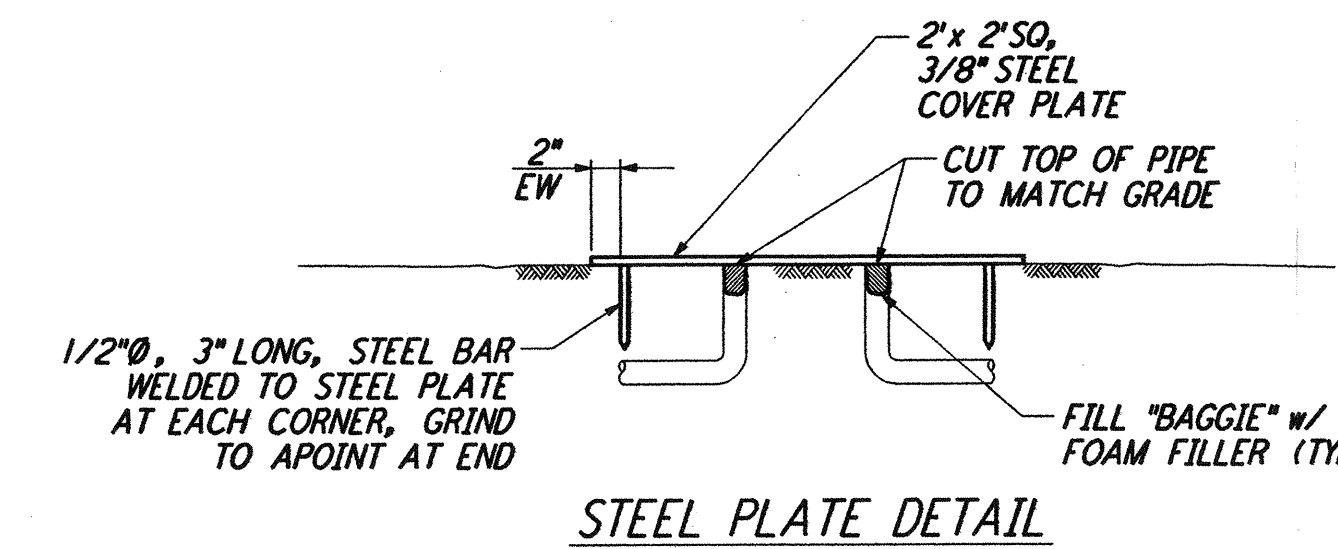
SECTION C-C
NOTE: REFER TO SECTIONS 'A' AND 'B' FOR DIMENSIONS AND CALLOUTS NOT SHOWN ON THIS SECTION.



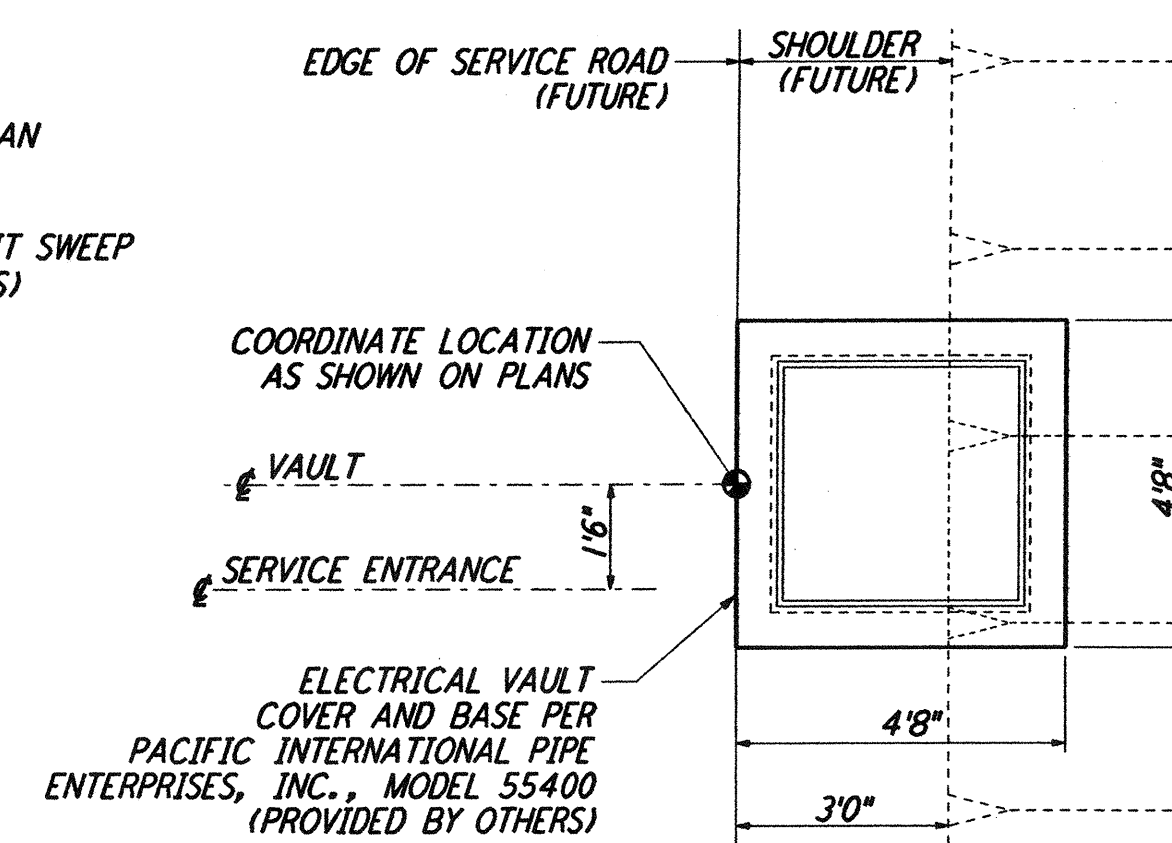
SECTION D-D



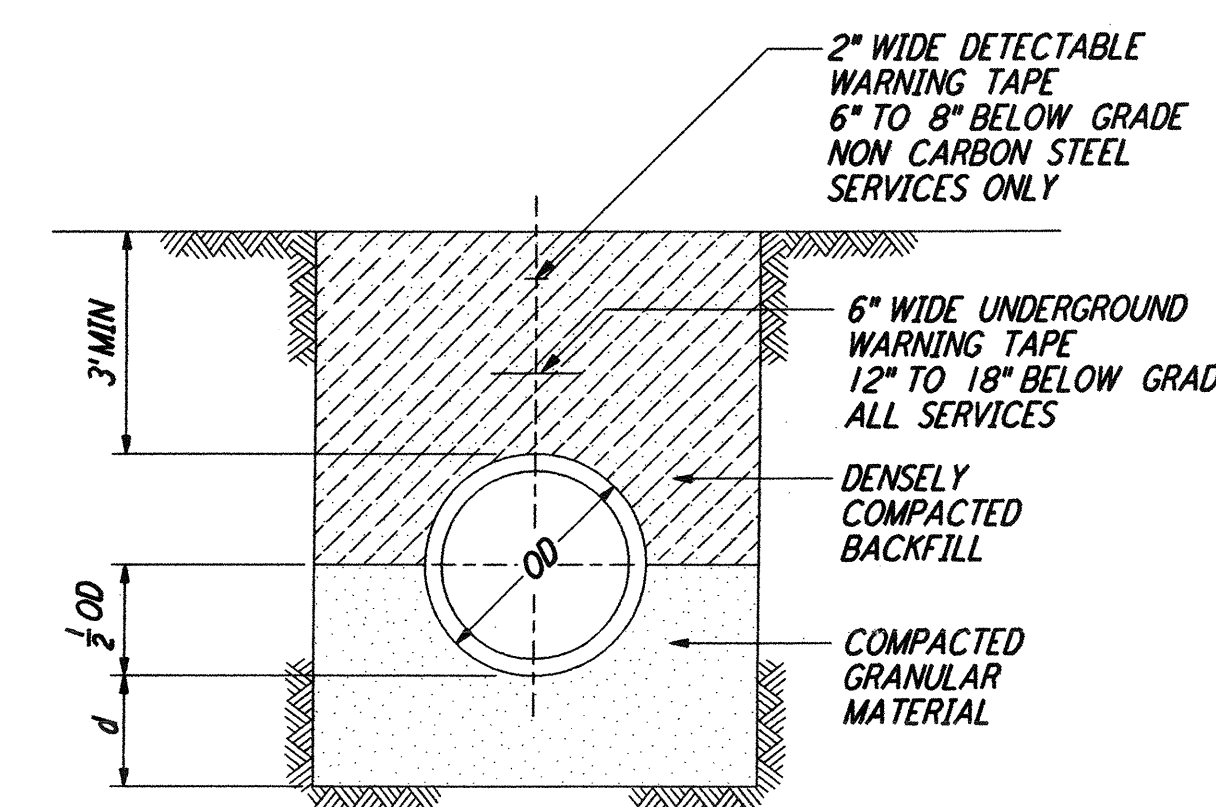
TYPICAL LOCATION PLAN @ SERVICE ENTRANCE FOR ELECTRICAL VAULT
NOT TO SCALE



STEEL PLATE DETAIL

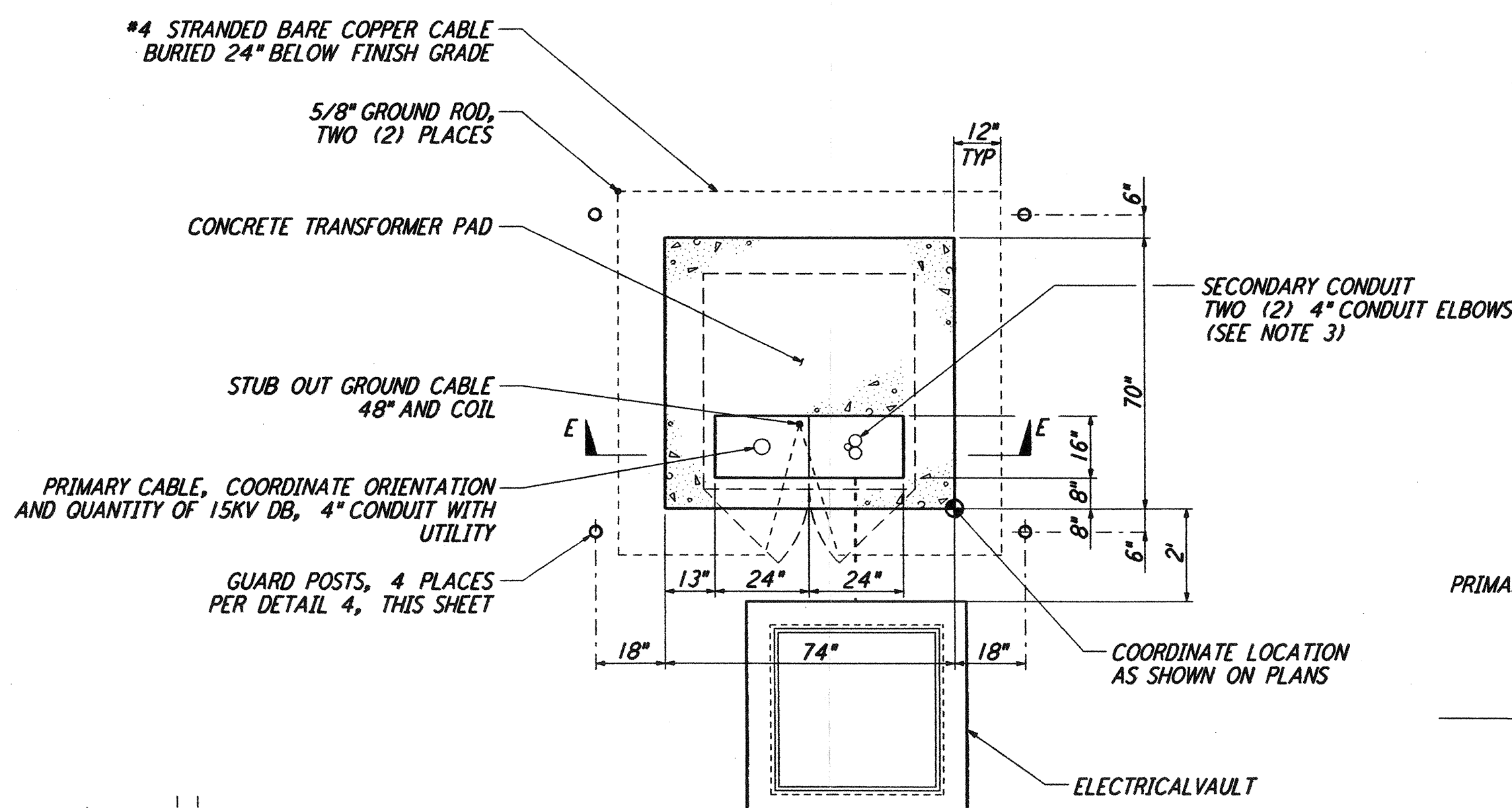


ENLARGED PLAN @ VAULT

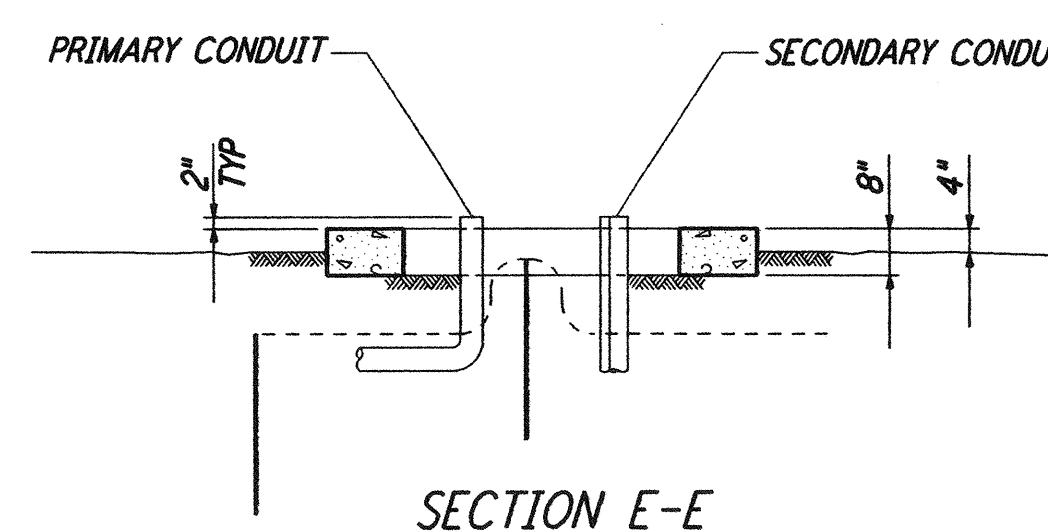


DEPTH OF BEDDING MATERIAL BELOW PIPE	
ID	d (MIN)
27" & SMALLER	3"

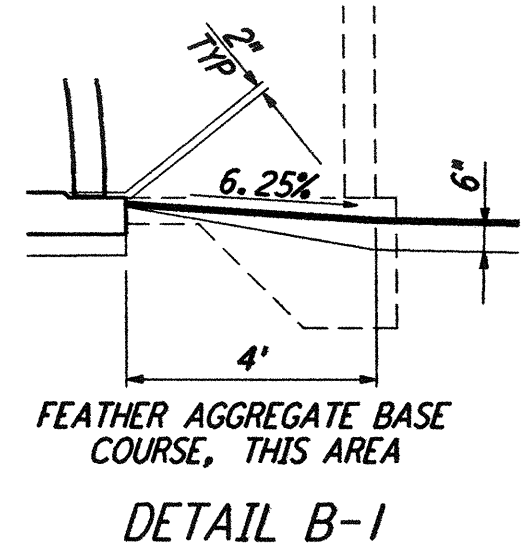
TRENCH BEDDING
NOT TO SCALE
REF: LA-C-504
LA-C-505
LA-C-511
LA-C-531



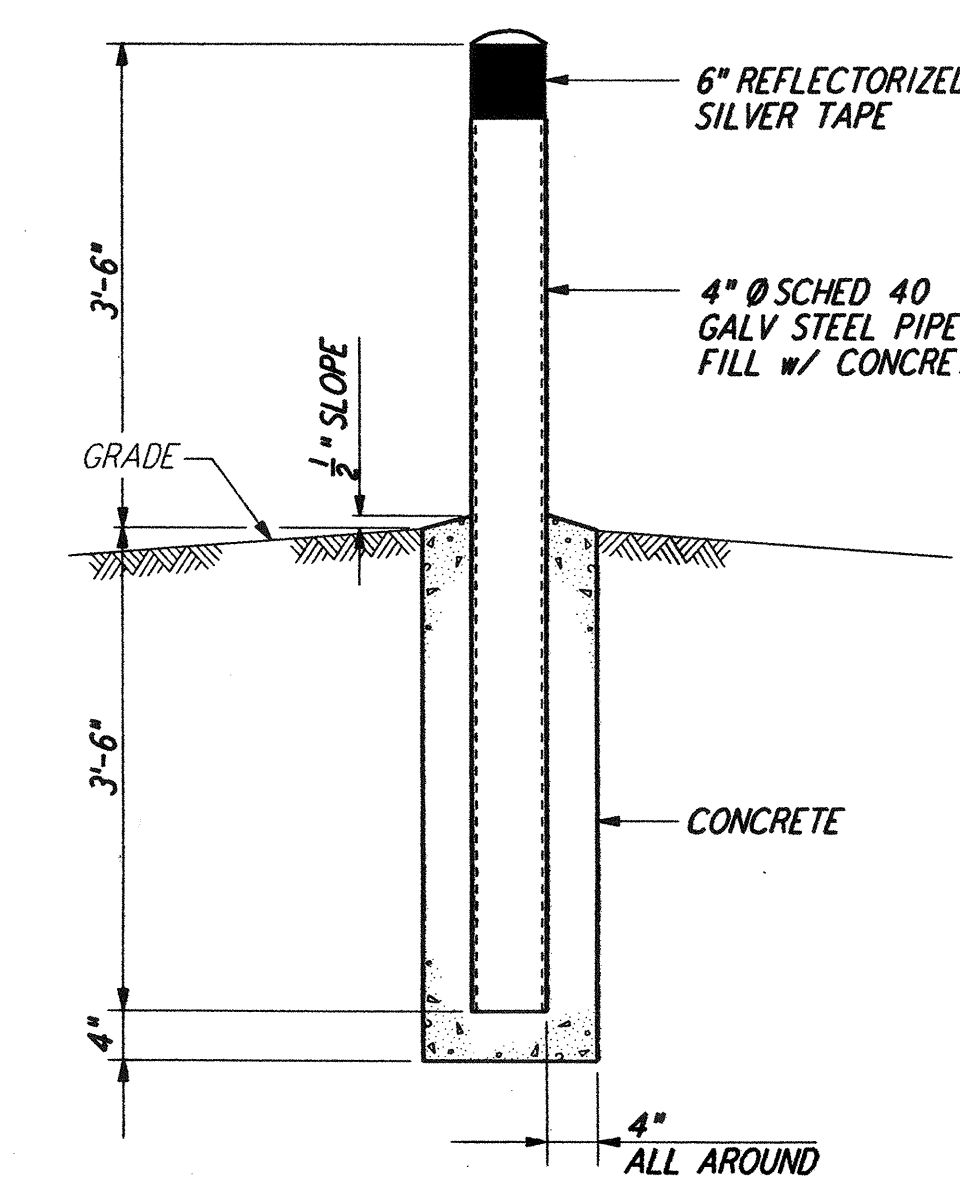
TYPICAL LOCATION PLAN FOR ELECTRICAL TRANSFORMER PAD
NOT TO SCALE



SECTION E-E



DETAIL B-1



GUARD POST
NOT TO SCALE

LIGO-D961261-02-0

NO.	DATE	BY	CHKD	ENGR	PROJ	DESCRIPTION
2	1-15-99	MET	--	--	MDW	ISSUED FOR AB BUILT
1	3-20-97	WRB	--	--		REVISED STATIONS - SECTION A

ISSUED FOR CONSTRUCTION			
DRAWN	WRB	11-15-96	
CHECKED	ML	11-15-96	
ENGINEER	JB	11-15-96	
PROJ	TDM	11-15-96	

AS-BUILT DRAWINGS

PARSONS

100 WEST WALNUT STREET
PASADENA, CALIFORNIA

LIGO

CALIFORNIA INSTITUTE OF TECHNOLOGY
MASSACHUSETTS INSTITUTE OF TECHNOLOGY

LASER INTERFEROMETER
GRAVITATIONAL-WAVE OBSERVATORY
BEAM TUBE ENCLOSURE - LIVINGSTON, LA

CIVIL
TYPICAL SECTIONS
AND DETAILS

SCALE: NONE
CONTRACT NUMBER: PPI50969
PROJECT NUMBER: 8094

SHEET NUMBER: **LA-C-504**

not be reproduced, copied, loaned, exhibited, or used in any other way, except by written consent from PARSONS to the borrower.

This document and the design it covers are the property of PARSONS. They are loaned only with the borrower's expressed written agreement that they will

1 Jan 15 11:38:37 1999 C:\PLOT\GUE\53-V98B2.DCF 52085 K:\V98B2\cse041.prf