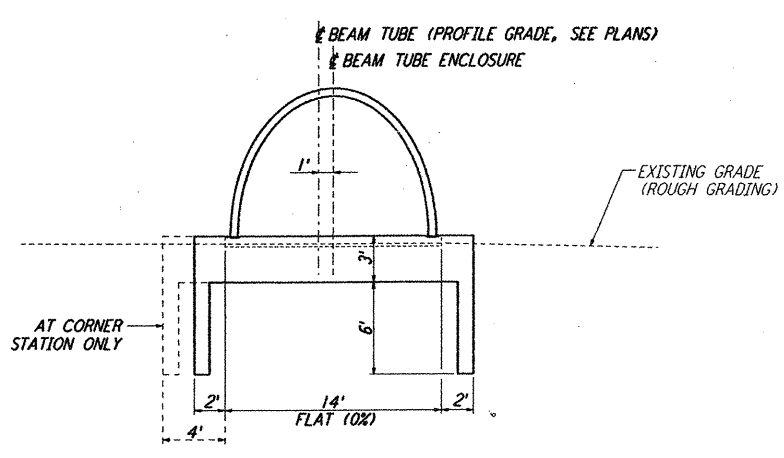


**SECTION A**  
NOT TO SCALE  
REF: LA-C-505, LA-C-511, LA-C-515, LA-C-520, LA-C-531, LA-C-535, LA-C-540

SOUTHWEST ARM: STA 1+72.48 THRU STA 5+84.85  
STA 64+90.37 THRU STA 66+04.96  
STA 66+33.87 THRU STA 67+11.70  
STA 128+56.67 THRU STA 130+64.05

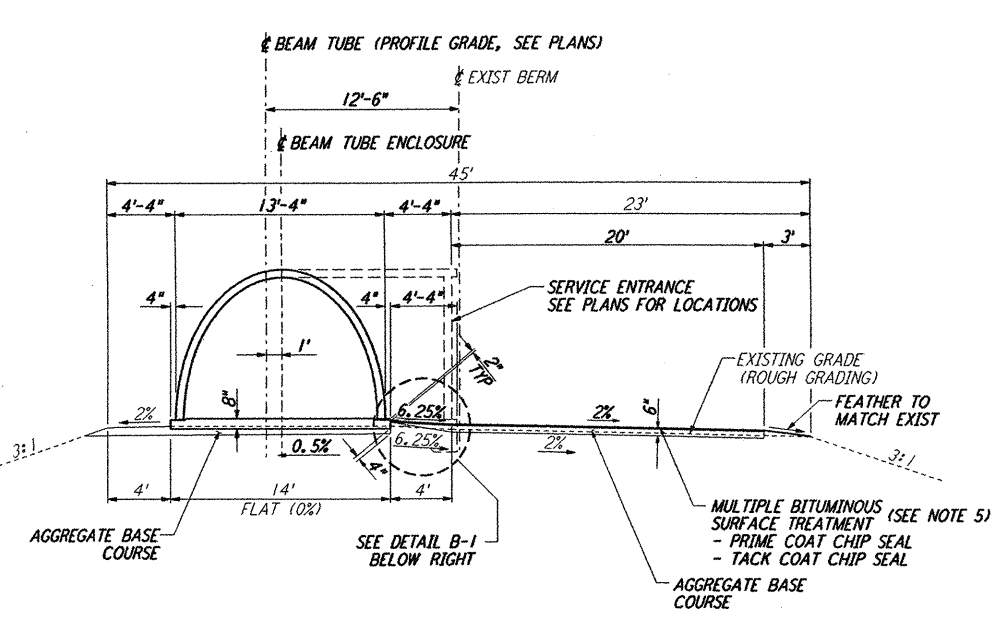
SOUTHEAST ARM: STA 1+72.48 THRU STA 4+54.37  
STA 64+90.37 THRU STA 66+04.96  
STA 66+33.86 THRU STA 67+11.70  
STA 128+56.67 THRU STA 130+64.05



**SECTION A (SIM)**  
NOT TO SCALE  
REF: LA-C-505, LA-C-511, LA-C-515, LA-C-520, LA-C-531, LA-C-540

SOUTHWEST ARM: STA 1+47.48 THRU STA 1+72.48  
STA 130+64.05 THRU STA 130+89.05

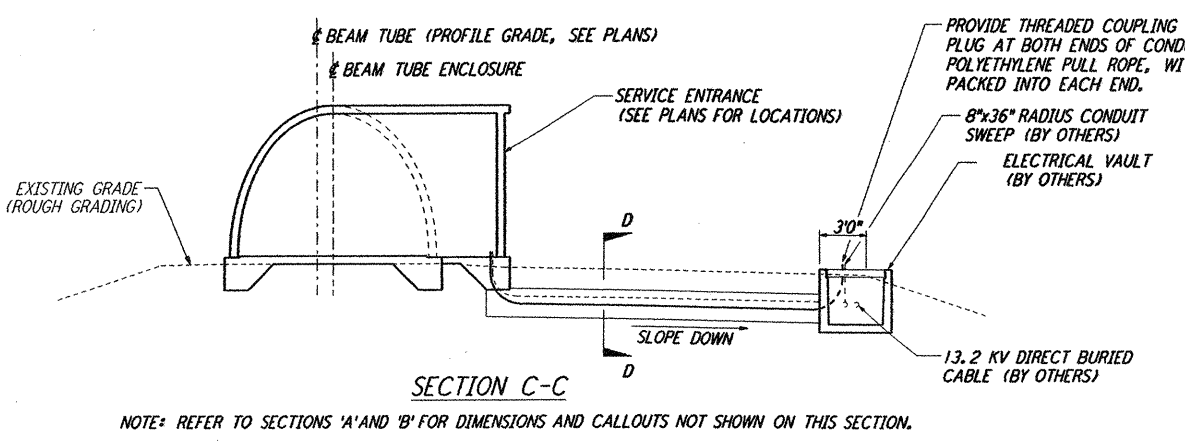
SOUTHEAST ARM: STA 1+47.48 THRU STA 1+72.48  
STA 130+64.05 THRU STA 130+89.05



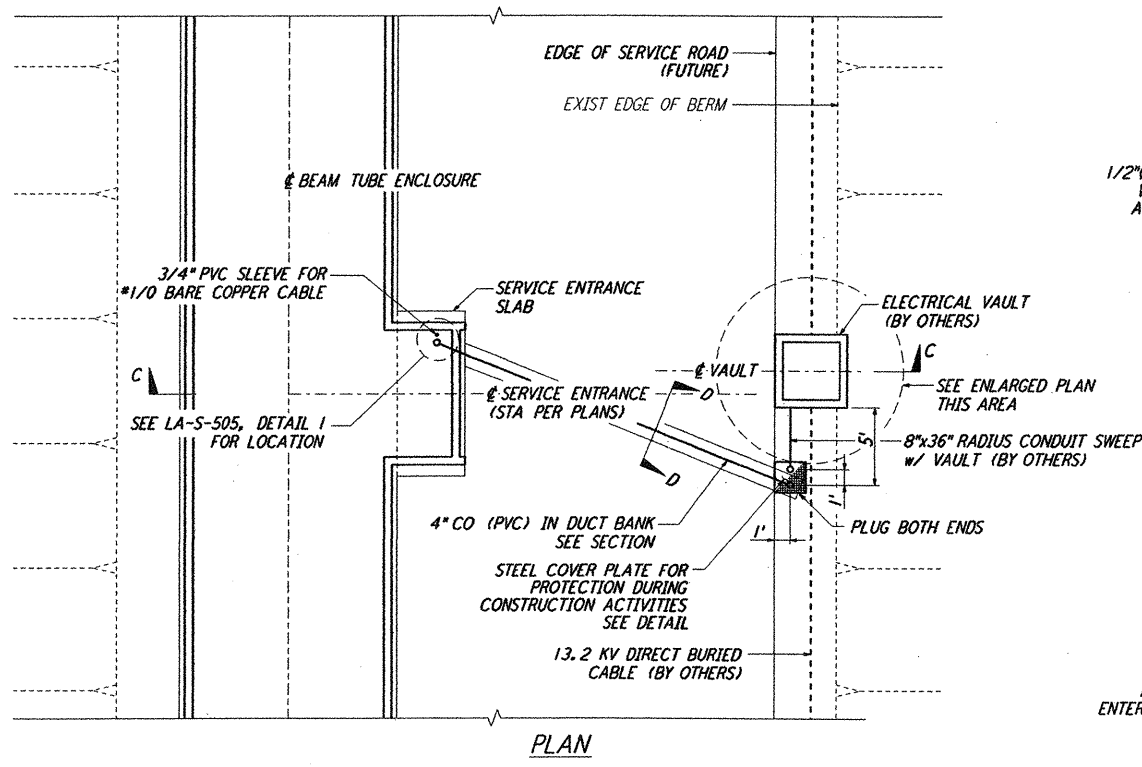
**SECTION B**  
NOT TO SCALE  
REF: LA-C-505, LA-C-511 THRU LA-C-520, LA-C-531 THRU LA-C-540

SOUTHWEST ARM: STA 5+84.85 THRU STA 64+90.37  
STA 67+11.70 THRU STA 128+56.67

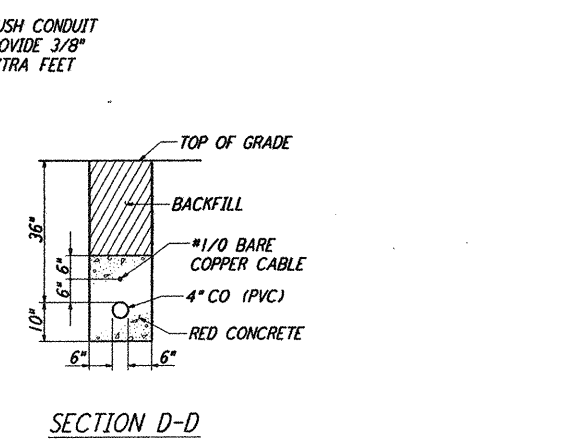
SOUTHEAST ARM: STA 4+54.37 THRU STA 64+90.37  
STA 67+11.70 THRU STA 128+56.67



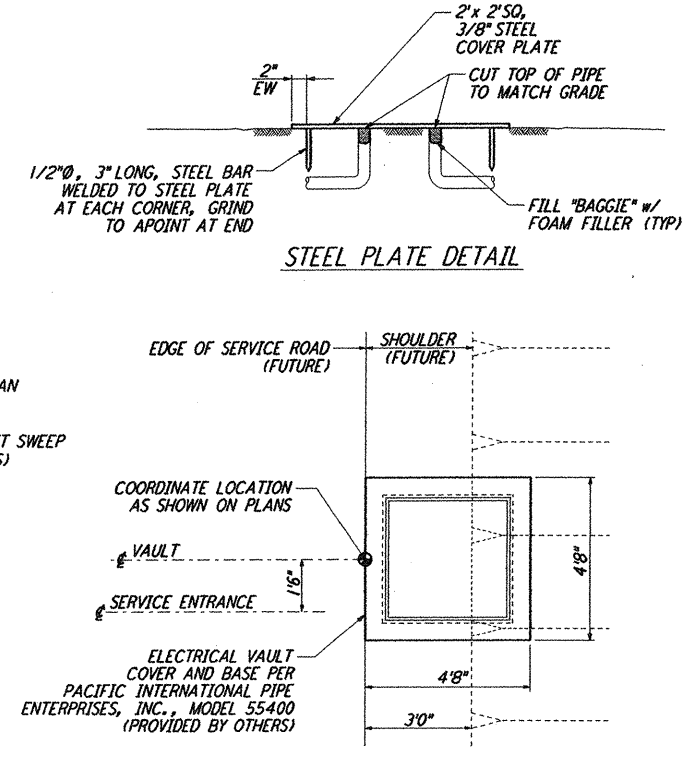
**SECTION C-C**  
NOTE: REFER TO SECTIONS 'A' AND 'B' FOR DIMENSIONS AND CALLOUTS NOT SHOWN ON THIS SECTION.



**TYPICAL LOCATION PLAN @ SERVICE ENTRANCE FOR ELECTRICAL VAULT**  
NOT TO SCALE

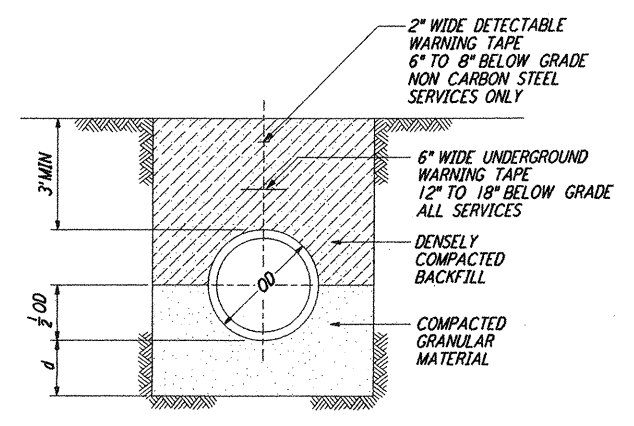


**SECTION D-D**



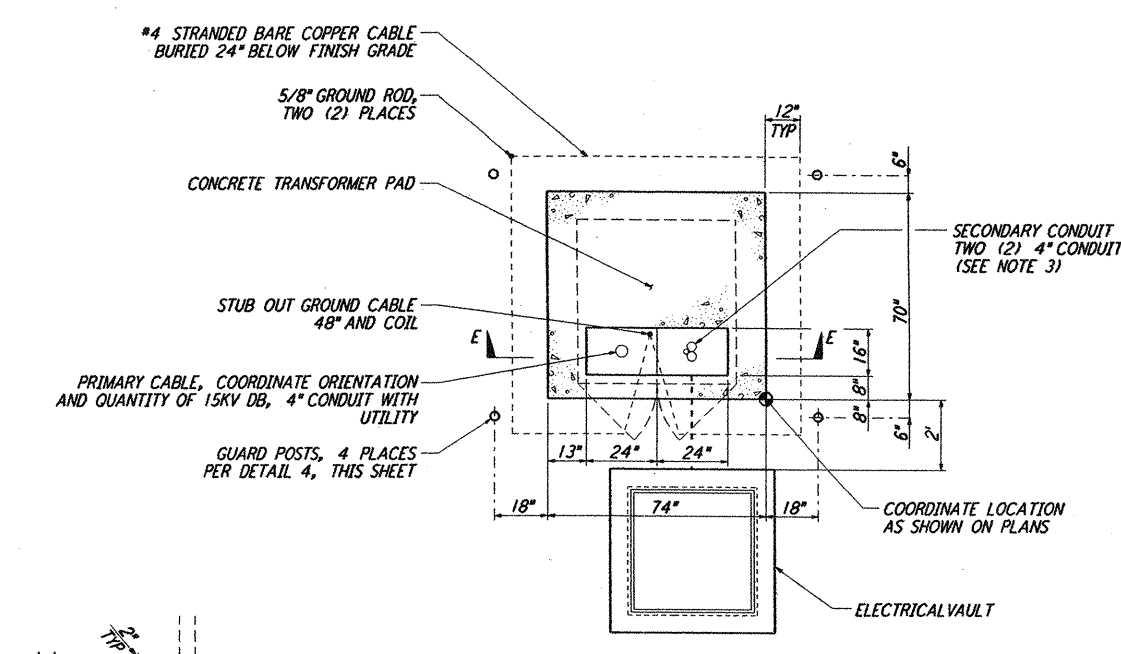
**ENLARGED PLAN @ VAULT**

- NOTES:**
- SEE SHEET LA-C-502 FOR GENERAL NOTES, LEGEND AND ABBREVIATIONS.
  - FOR SOUTHEAST ARM, SECTIONS 'A' AND 'A (SIM)' ARE MIRRORED ABOUT THE BEAM TUBE CENTERLINE.
  - SECONDARY CONDUIT DIRECTION SHALL FACE END STATION, AS APPROPRIATE.
  - CONDUITS SHALL EXTEND TOWARD BUILDING VIA DUCT BANK, DETAIL 4, THIS SHEET.
  - BITUMINOUS SURFACE TREATMENT TO BE APPLIED WHEN SCHEDULED BY THE CONSTRUCTION MANAGER.

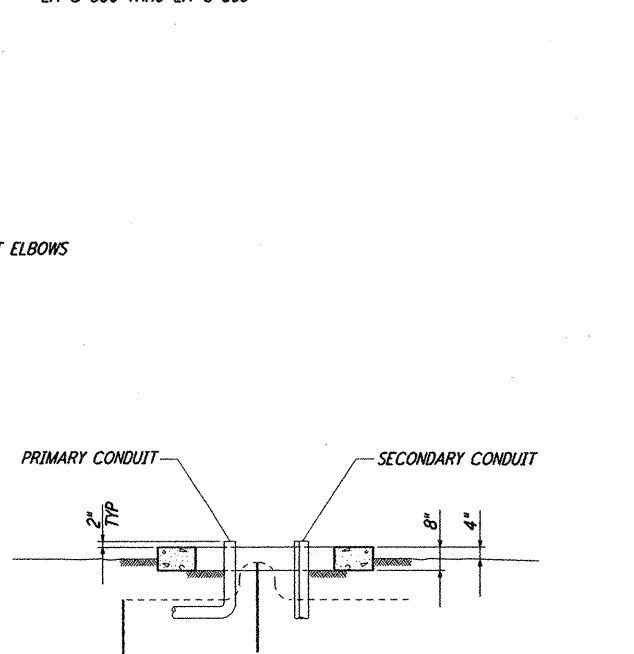


DEPTH OF BEDDING MATERIAL BELOW PIPE	
ID	d (MIN)
27" & SMALLER	3"

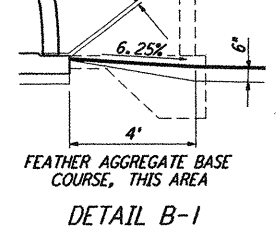
**TRENCH BEDDING**  
NOT TO SCALE  
REF: LA-C-504, LA-C-505, LA-C-511, LA-C-531



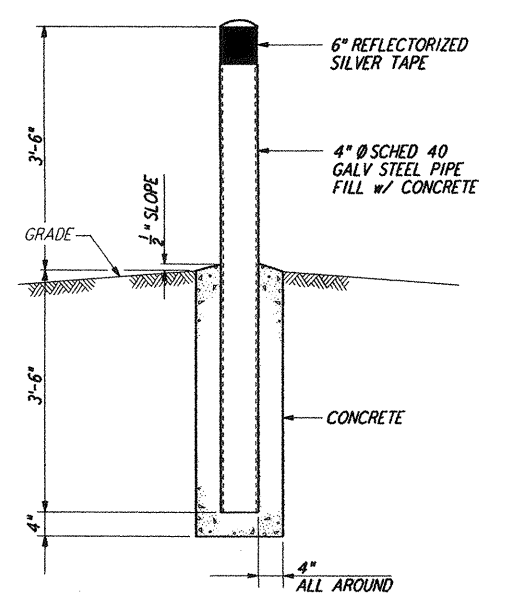
**TYPICAL LOCATION PLAN FOR ELECTRICAL TRANSFORMER PAD**  
NOT TO SCALE  
NOTE: ORIENT PAD AS SHOWN ON PLANS



**SECTION E-E**



**DETAIL B-1**



**GUARD POST**  
NOT TO SCALE  
REF: LA-C-504

**LIGO-D961261-02-0**

NO.	DATE	BY	CHKD	ENGR	PROJ	DESCRIPTION
2	1-15-99	MET	--	--	MDW	ISSUED FOR AB BUILT
1	3-20-97	WRB	--	--	--	REVISED STATIONS - SECTION A

ISSUED FOR CONSTRUCTION  
DRAWN: WRB 11-15-96  
CHECKED: ML 11-15-96  
ENGINEER: JB 11-15-96  
PROJ: TDM 11-15-96

**AS-BUILT DRAWINGS**

**PARSONS**  
100 WEST WALNUT STREET  
PASADENA, CALIFORNIA

**LIGO**  
CALIFORNIA INSTITUTE OF TECHNOLOGY  
MASSACHUSETTS INSTITUTE OF TECHNOLOGY

LASER INTERFEROMETER  
GRAVITATIONAL-WAVE OBSERVATORY  
BEAM TUBE ENCLOSURE - LIVINGSTON, LA

CIVIL TYPICAL SECTIONS AND DETAILS

SCALE: NONE  
CONTRACT NUMBER: PP150969  
PROJECT NUMBER: 8094

SHEET NUMBER: **LA-C-504**

This document and the design it covers are the property of PARSONS. They are loaned only with the borrower's expressed written agreement that they will not be reproduced, copied, loaned, exhibited, or used in any other way, except by written consent from PARSONS to the borrower.

1 Jan 15 11:38:37 1999 C:\PLOT\LDUE\33-V\9882.DWG 52085 145V9882-02001.dwg