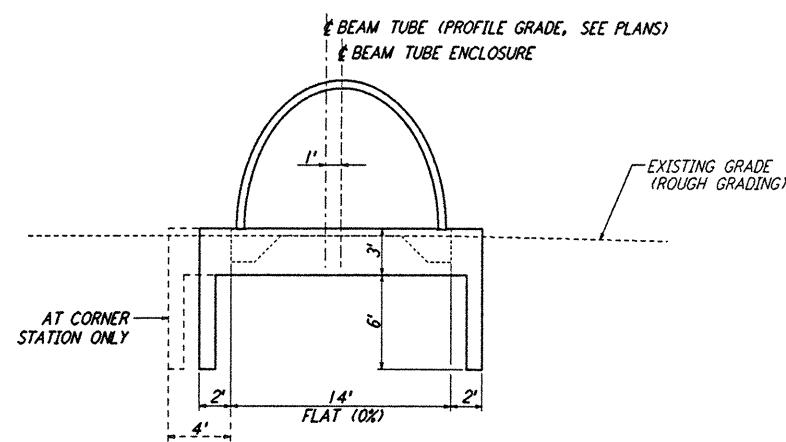


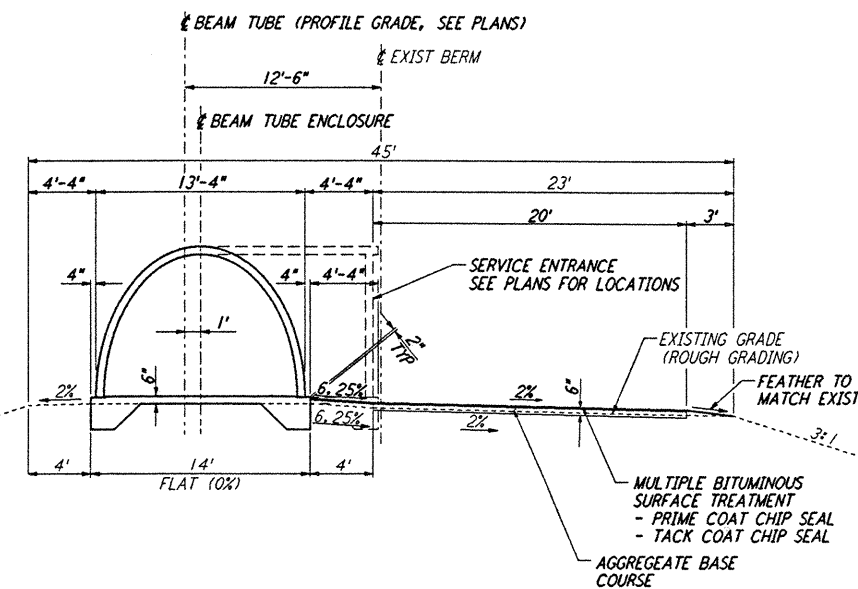
SOUTHWEST ARM: STA 1+72.48 THRU STA 5+84.85  
STA 64+90.37 THRU STA 66+02.66  
STA 66+31.83 THRU STA 67+11.70  
STA 128+56.67 THRU STA 130+64.05

SOUTHEAST ARM: STA 1+72.48 THRU STA 4+54.37  
STA 64+90.37 THRU STA 66+02.66  
STA 66+31.83 THRU STA 67+11.70  
STA 128+56.67 THRU STA 130+64.05



SOUTHWEST ARM: STA 1+47.48 THRU STA 1+72.48  
STA 130+64.05 THRU STA 130+89.05

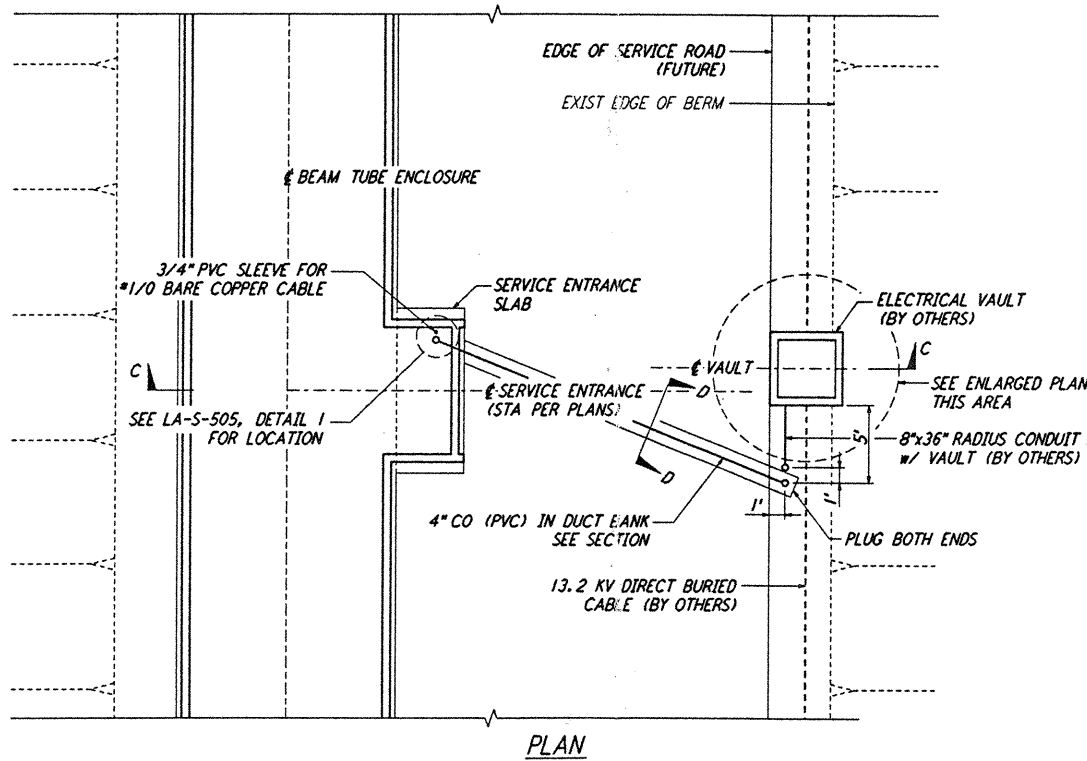
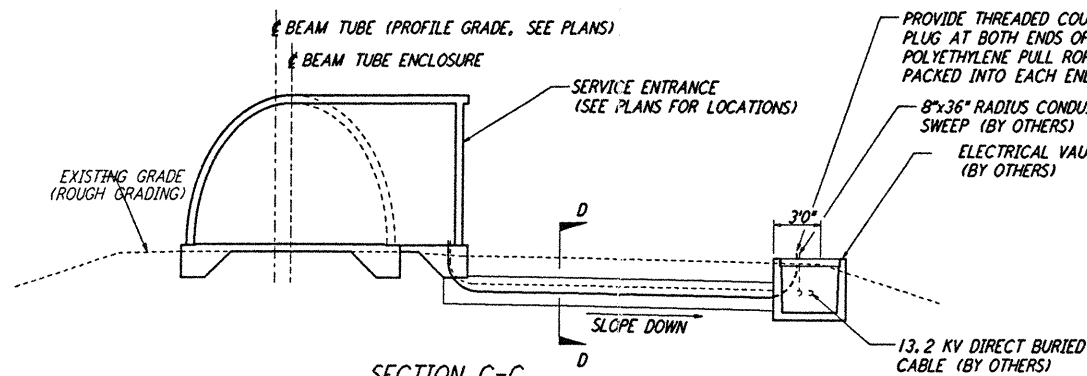
SOUTHEAST ARM: STA 1+47.48 THRU STA 1+72.48  
STA 130+64.05 THRU STA 130+89.05



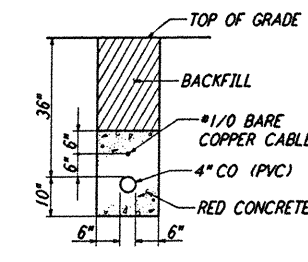
(ALONG SOUTHWEST AND SOUTHEAST ARMS)

SOUTHWEST ARM: STA 5+84.85 THRU STA 64+90.37  
STA 67+11.70 THRU STA 128+56.67

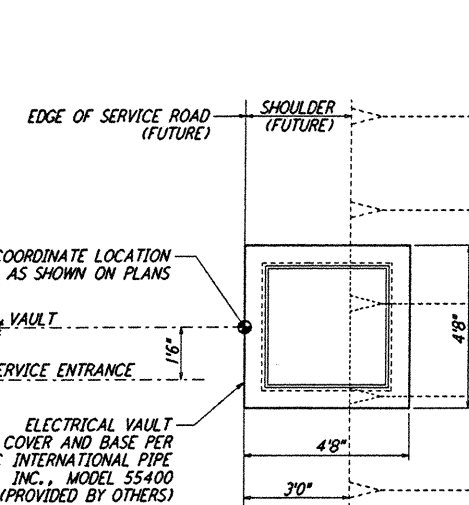
SOUTHEAST ARM: STA 4+54.37 THRU STA 64+90.37  
STA 67+11.70 THRU STA 128+56.67



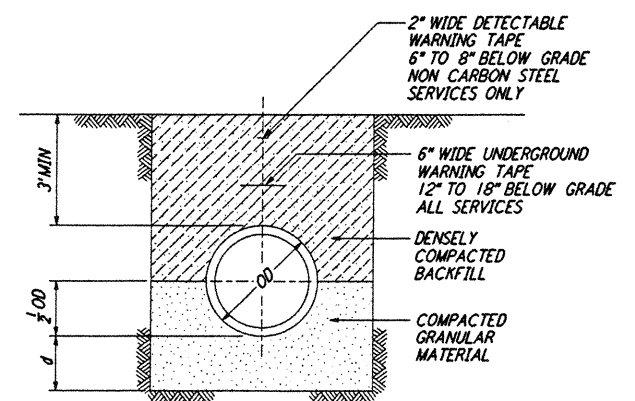
REF: LA-C-504, LA-C-505, LA-C-511 THRU LA-C-514, LA-C-516 THRU LA-C-519, LA-C-531 THRU LA-C-534, LA-C-536 THRU LA-C-539



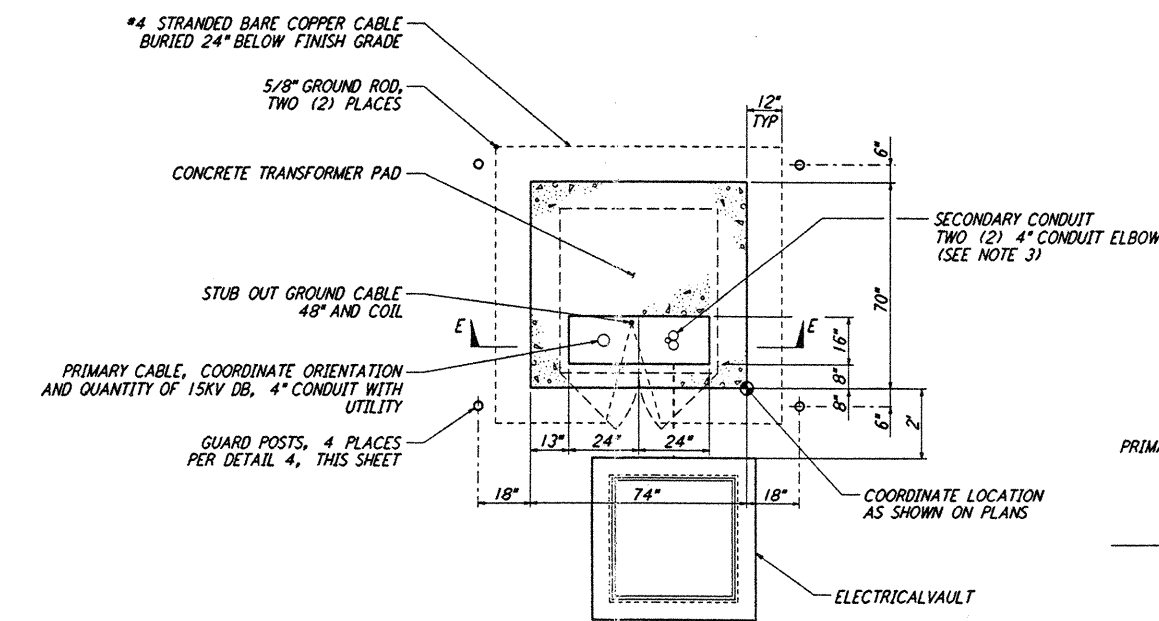
SECTION D-D



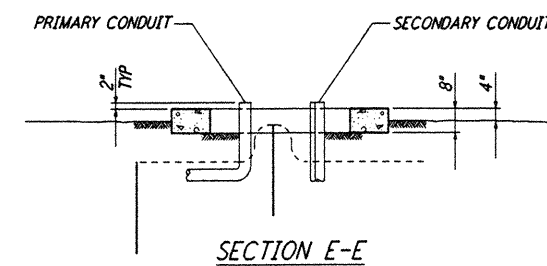
ENLARGED PLAN @ VAULT



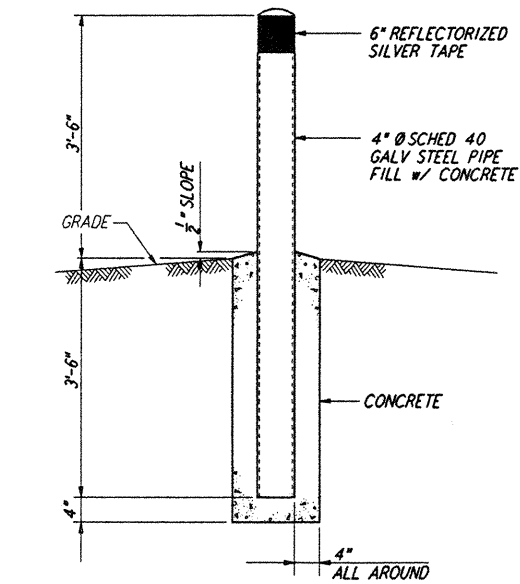
TRENCH BEDDING (2)  
NOT TO SCALE  
REF: LA-C-504, LA-C-505, LA-C-511, LA-C-531



REF: LA-C-504, LA-C-505, LA-C-520, LA-C-521, LA-C-540, LA-C-541



SECTION E-E



GUARD POST (4)  
NOT TO SCALE  
REF: LA-C-504

LIGO-D961261-A-0

NO.	DATE	BY	CHKD	ENGR	PROJ	DESCRIPTION
A	6/28/96	WRB	ML	CB	JBM	FINAL DESIGN REVIEW

DRAWN	WRB	6/24/96
CHECKED		
ENGINEER		
PROJ		

**PARSONS**  
100 WEST WALNUT STREET  
PASADENA, CALIFORNIA

**LIGO**  
CALIFORNIA INSTITUTE OF TECHNOLOGY  
MASSACHUSETTS INSTITUTE OF TECHNOLOGY

LASER INTERFEROMETER  
GRAVITATIONAL-WAVE OBSERVATORY  
BTE SITWORK & FABRICATION - LIVINGSTON, LA

TITLE	SCALE	CONTRACT NUMBER	PROJECT NUMBER
CIVIL TYPICAL SECTIONS AND DETAILS	NONE	PP150969	8094
SHEET NUMBER		REVISIONS	
LA-C-504			

LIGO-D961261-A-0

This document and the design it covers are the property of PARSONS. They are loaned only with the borrower's expressed written agreement that they will not be reproduced, copied, loaned, exhibited, or used in any other way, except by written consent from PARSONS to the borrower.

PFI JUN 28 8:00AM '96 J:\VOLUME1\BTE\LA-C-504.DWG