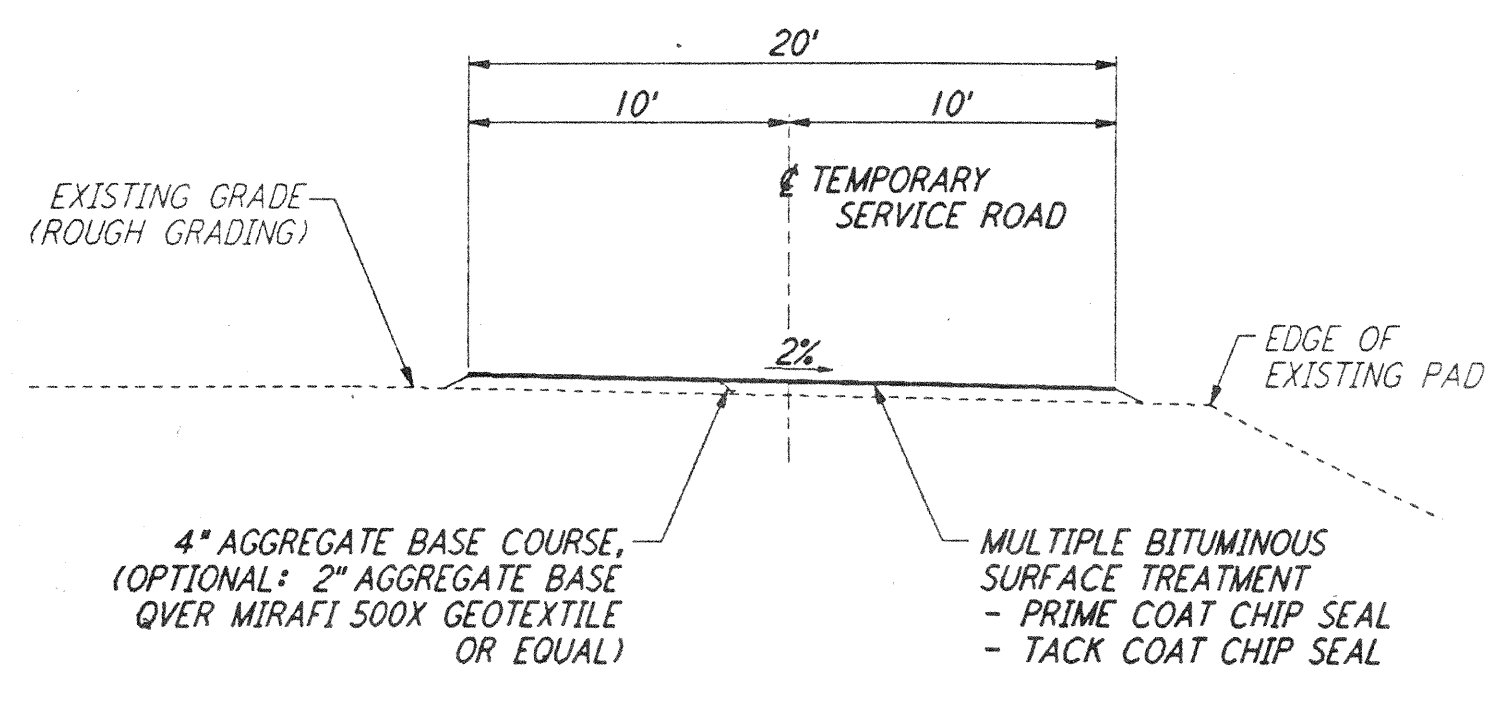
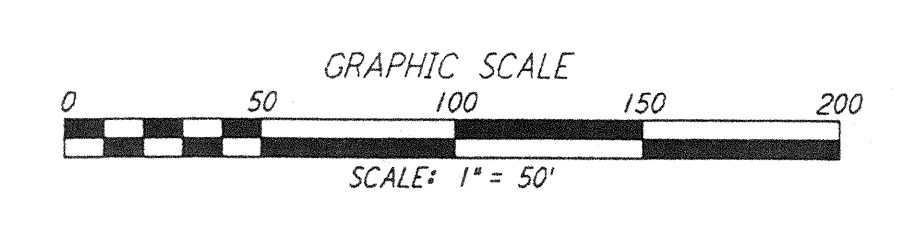
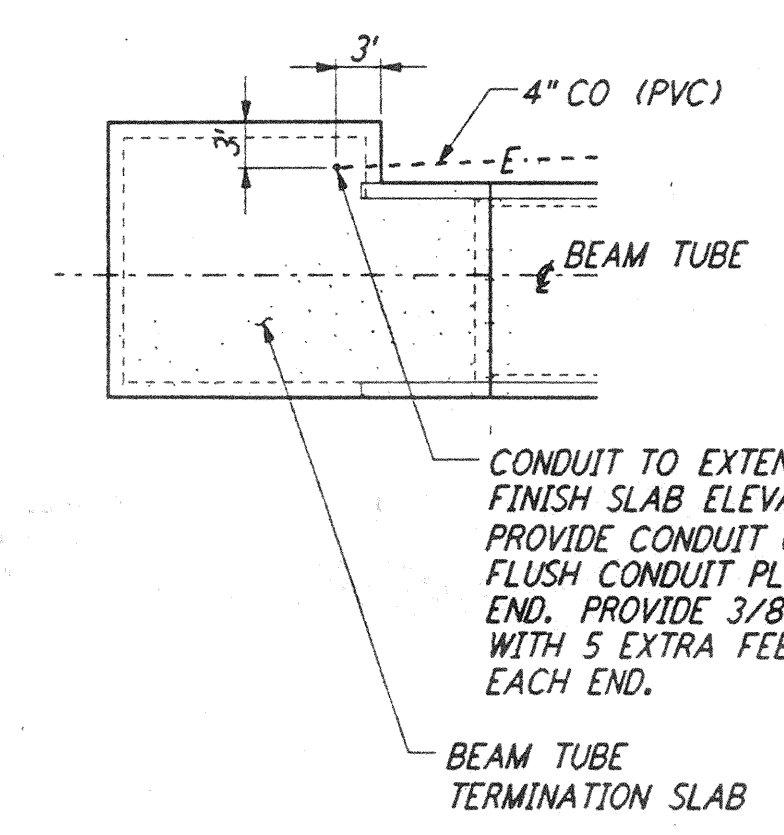


CURVE DATA (TEMPORARY SERVICE ROAD)					
Ø	R	Δ	L	T	REMARK
1	35'	96°10'05"	57.70'	38.99'	EDGE OF ROAD
2	35'	72°25'43"	43.95'	25.63'	EDGE OF ROAD
3	215'	31°12'13"	117.09'	60.04'	TEMPORARY SERVICE ROAD
4	215'	31°01'25"	116.42'	59.67'	
5	110'	62°14'25"	119.49'	66.41'	
6	50'	90°00'00"	78.54'	50.00'	
7	110'	45°00'00"	86.39'	45.56'	
8	110'	45°00'00"	78.54'	41.42'	

NOTES:
 1. SEE SHEET LA-C-502 FOR GENERAL NOTES, LEGEND AND ABBREVIATIONS.
 2. FOR PROPERTY CORNER LOCATIONS, SEE SHEET LA-C-501.

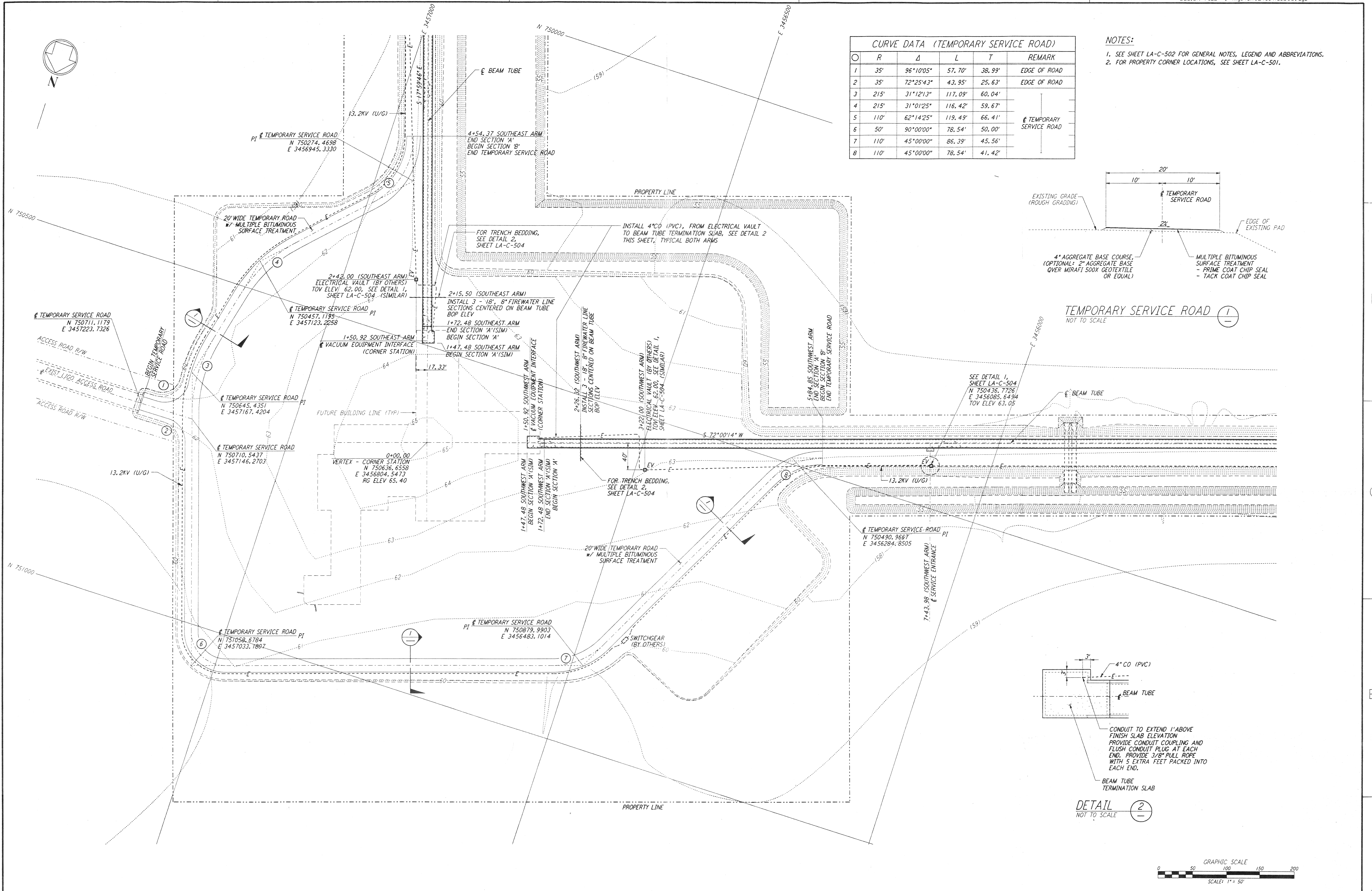


TEMPORARY SERVICE ROAD (1)
 NOT TO SCALE



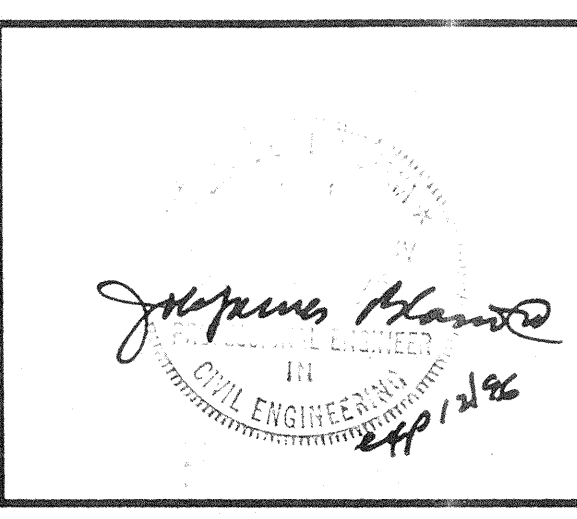
not be reproduced, copied, loaned, exhibited, or used in any other way, except by written consent from PARSONS to the borrower.

This document and the design it covers are the property of PARSONS. They are loaned only with the borrower's expressed written agreement that they will



DRAWING NO.	DESCRIPTION	NO.	DATE	BY	CHKD	ENGR	PROJ	DESCRIPTION

ISSUED FOR CONSTRUCTION	
DRAWN	WRB 11-15-96
CHECKED	MLC 11-15-96
ENGINEER	JB 11/15/96
PROJ	11/15/96



PARSONS
 100 WEST WALNUT STREET
 PASADENA, CALIFORNIA

LIGO
 CALIFORNIA INSTITUTE OF TECHNOLOGY
 MASSACHUSETTS INSTITUTE OF TECHNOLOGY

LASER INTERFEROMETER
 GRAVITATIONAL-WAVE OBSERVATORY
 BEAM TUBE ENCLOSURE - LIVINGSTON, LA

CIVIL CORNER STATION PLAN

SCALE: 1" = 50'
 CONTRACT NUMBER: PPI50969
 PROJECT NUMBER: 8094

SHEET NUMBER: **LA-C-505**