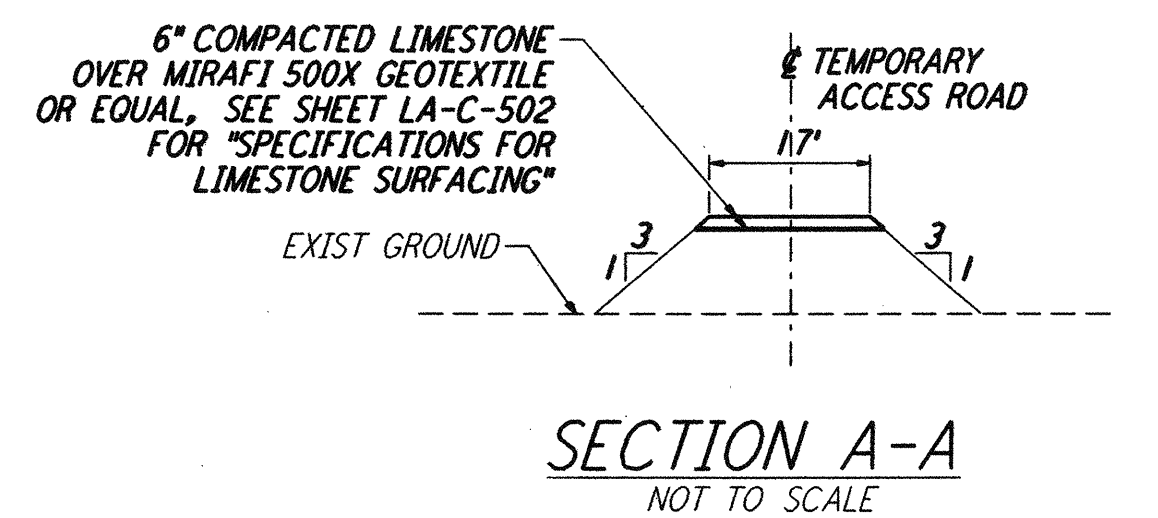
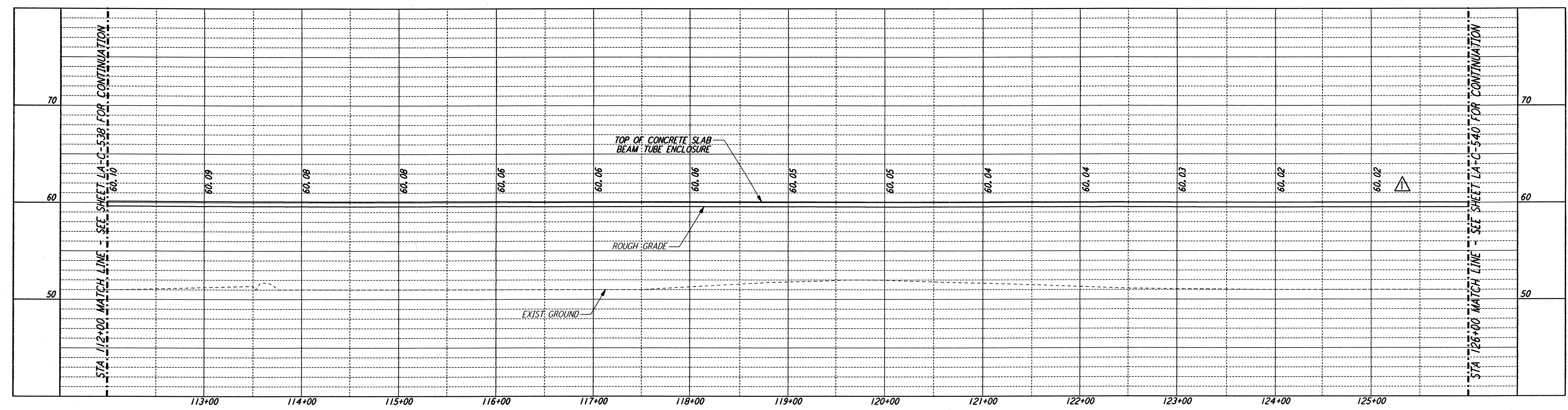
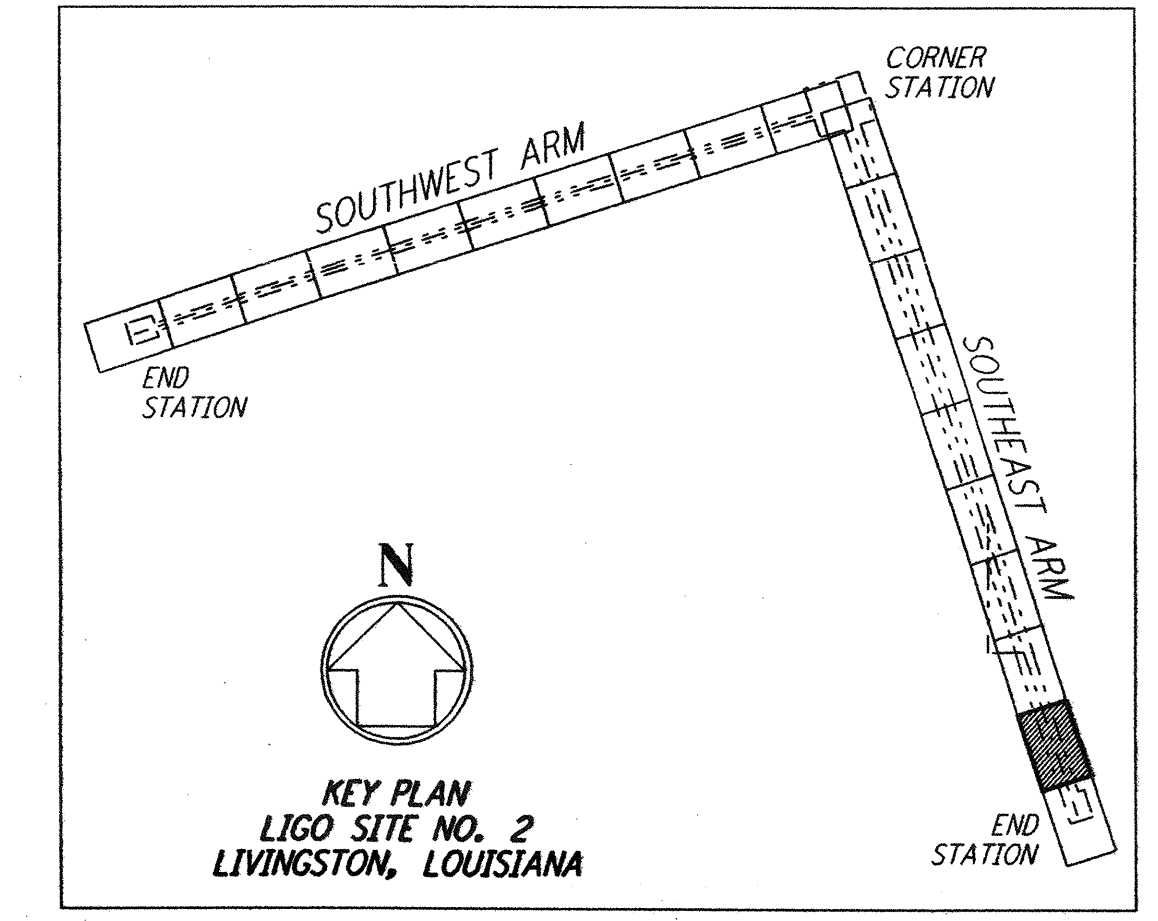
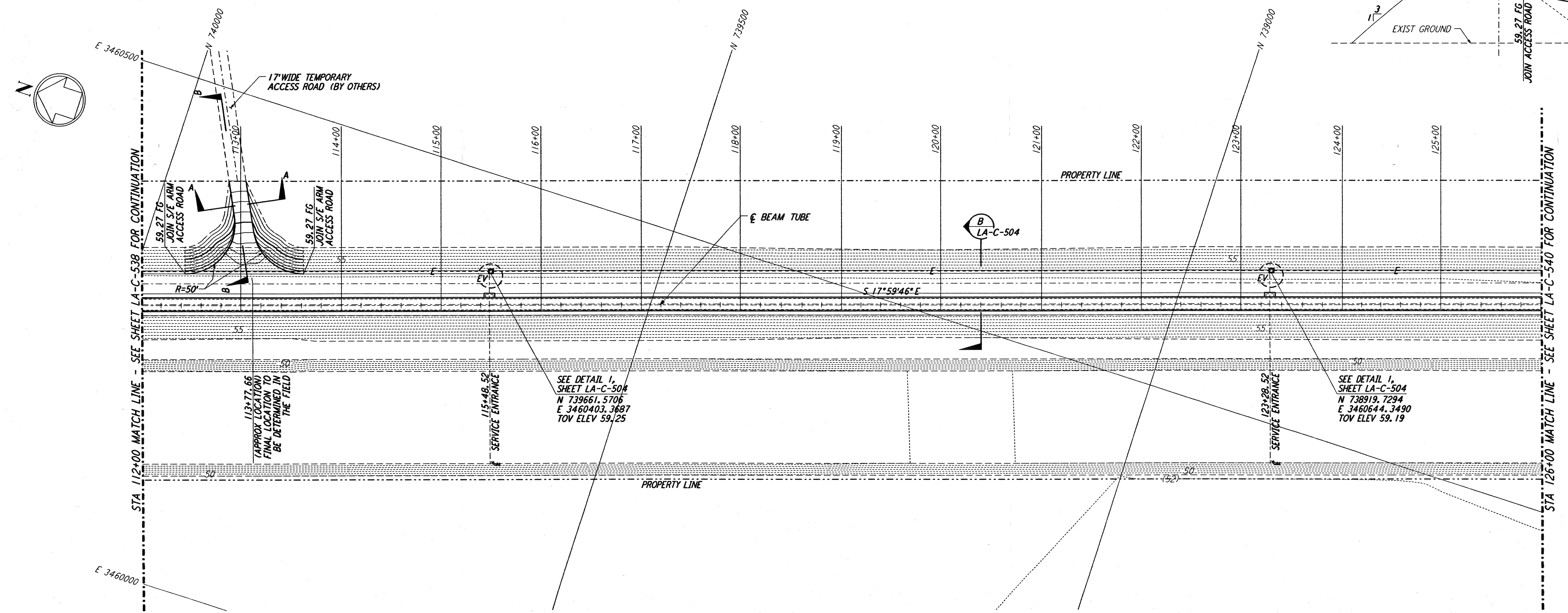
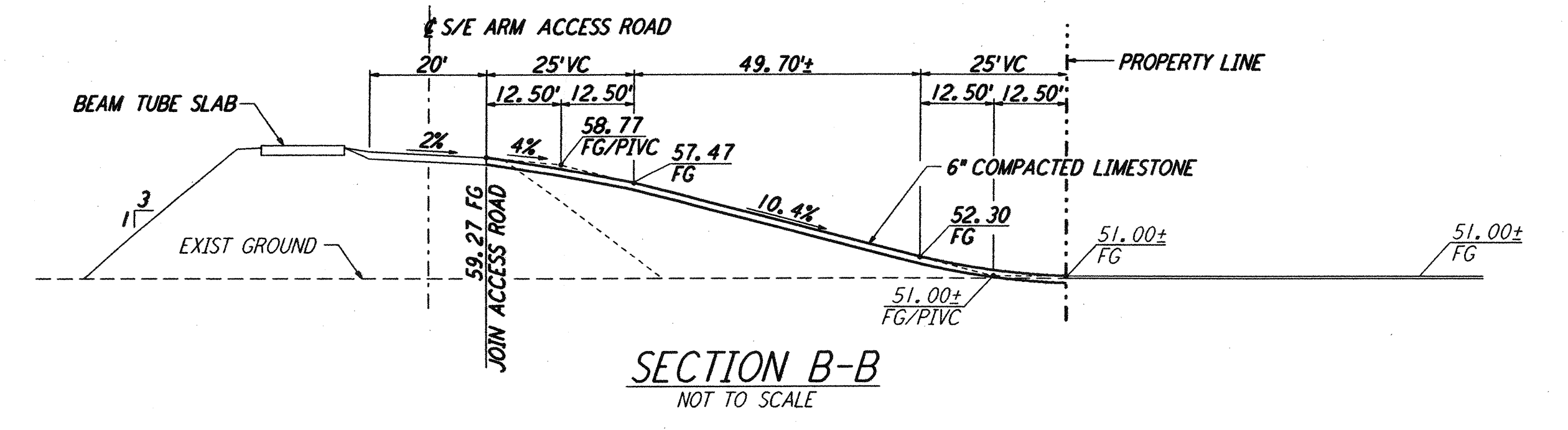


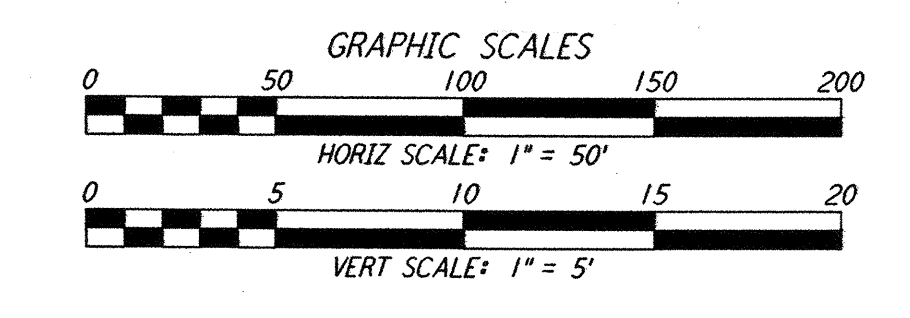
- NOTES:**
- SEE SHEET LA-C-502 FOR GENERAL NOTES, LEGEND AND ABBREVIATIONS.
 - SEE SHEET LA-C-504 FOR TYPICAL SECTIONS AND DETAILS.
 - ALL GRADES, DIMENSIONS AND ELEVATIONS SHOWN FOR THE TEMPORARY ACCESS ROAD ARE APPROXIMATE, PENDING FINAL LOCATION IN THE FILED.



PROFILE
 SCALES: HORIZ: 1" = 50'
 VERT: 1" = 5'



LIGO-D961284-02-O



This document and the design it covers are the property of PARSONS. They are loaned only with the borrower's expressed written agreement that they will not be reproduced, copied, loaned, exhibited, or used in any other way, except by written consent from PARSONS to the borrower.

This document and the design it covers are the property of PARSONS. They are loaned only with the borrower's expressed written agreement that they will not be reproduced, copied, loaned, exhibited, or used in any other way, except by written consent from PARSONS to the borrower.

NO.	DATE	BY	CHKD	ENGR	PROJ	DESCRIPTION
2	1-15-99	MEI	--	--	MDW	ISSUED FOR AB BUILT
1	2-3-97	WRB	--	--	--	REVISED PROFILE ELEVATIONS

ISSUED FOR CONSTRUCTION
 DRAWN: WRB 11-15-96
 CHECKED: ML 11-15-96
 ENGINEER: JB 11-15-96
 PROJ: TDM 11-15-96

AS-BUILT DRAWINGS

100 WEST WALNUT STREET
 PASADENA, CALIFORNIA

CALIFORNIA INSTITUTE OF TECHNOLOGY
 MASSACHUSETTS INSTITUTE OF TECHNOLOGY

LASER INTERFEROMETER
 GRAVITATIONAL-WAVE OBSERVATORY
 BEAM TUBE ENCLOSURE - LIVINGSTON, LA

TITLE: CIVIL SOUTHEAST ARM PLAN AND PROFILE STA 112+00 TO STA 126+00

SCALE: AS NOTED CONTRACT NUMBER: PP150969 PROJECT NUMBER: 8094

SHEET NUMBER: **LA-C-539**