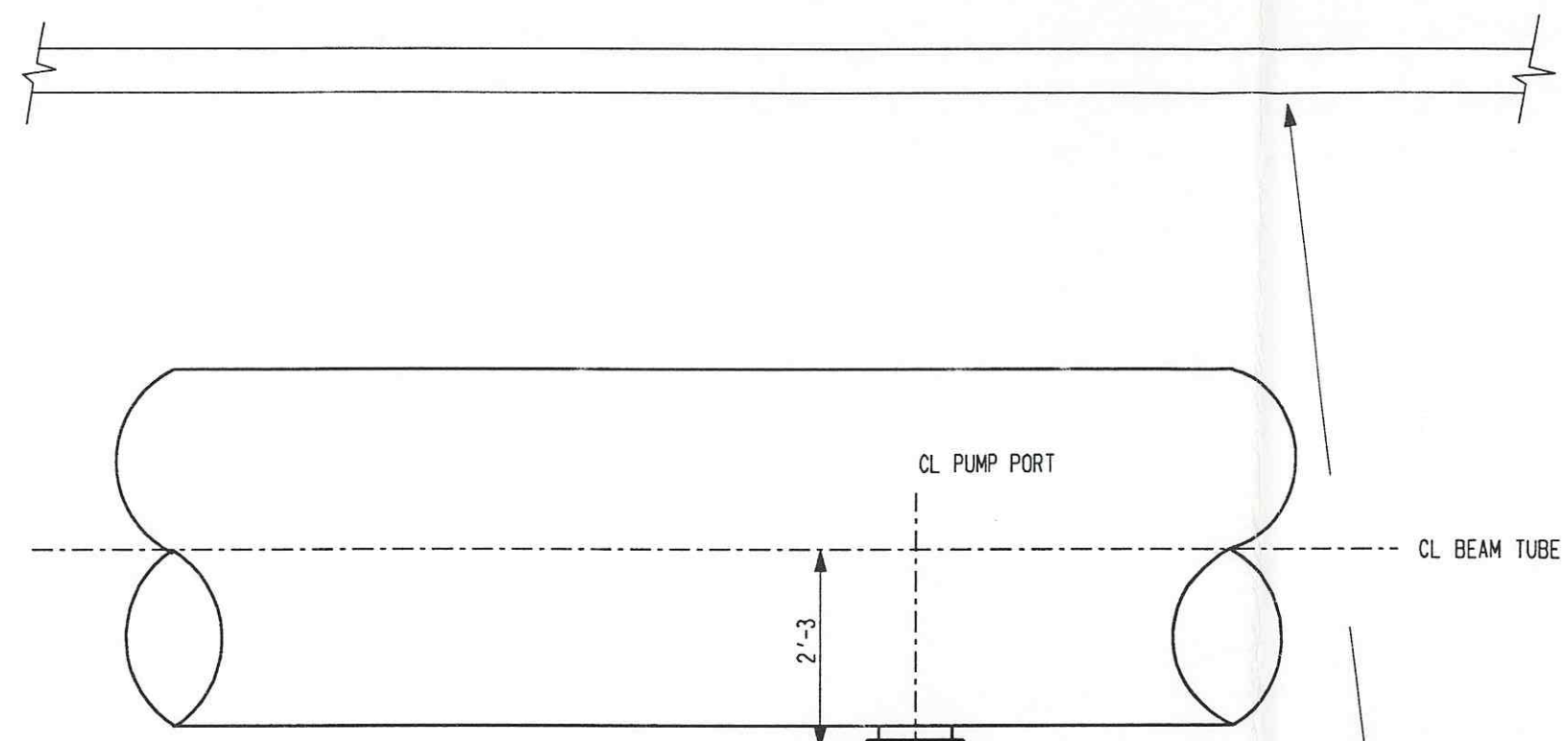


SHP PC	MARK	ASSEM PC	DESCRIPTION	LENGTH		SPEC	ID
				FT	IN		
75	102-A		TYPE "H" PUMP PORT HARDWARE				
	102-1	75	BLD FLG 13.25 DIA CF			SS	PA
	102-2	75	HALF NIPPLE 4.5 DIA CF		3.38	SS	PA
	102-3	75	HALF NIPPLE 2.75 DIA CF		2.46	SS	PA
	102-4	75	BLD FLG 4.5 DIA CF			SS	PA
	102-5	75	BLD FLG 2.75 DIA CF			SS	PA
	102-7	310	PLATE NUT 5/16-24 HEX (#NP-250) (INCLUDES 10 SPARE)			SS	PE
	102-9	625	BOLT 5/16-24 HEX (INCLUDES 25 SPARE)	2		*	PE
	102-10	80	GSKT 4.5 DIA CF (INCLUDES 5 SPARE)			COPPER	PA
	102-11	925	BOLT 1/4-28 HEX (INCLUDES 25 SPARE)	1 1/2		*	PE
	102-12	460	PLATE NUT 1/4-28 HEX (#NP-150) (INCLUDES 10 SPARE)			SS	PE
	102-13	155	GSKT 2.75 DIA CF (INCLUDES 5 SPARE)			COPPER	PA
	102-14	75	ANGLE VALVE 40MM WITH 2.75 DIA CF FLANGES (NORCAL #AMV-1502-CF OR EQUAL)			SS	PC
	102-16	625	WASHER 5/16 DIA (INCLUDES 25 SPARE)			SS	PE
	102-17	925	WASHER 1/4 DIA (INCLUDES 25 SPARE)			SS	PE
2300	102-6		BOLT 3/8-24 HEX (INCLUDES 50 SPARE)	1 5/8		*	PE
80	102-8		GSKT 13.25 DIA CF (INCLUDES 5 SPARE)			COPPER	PA
2300	102-15		WASHER 3/8 DIA (INCLUDES 50 SPARE)			SS	PE
			* = SILVER PLATED SS				



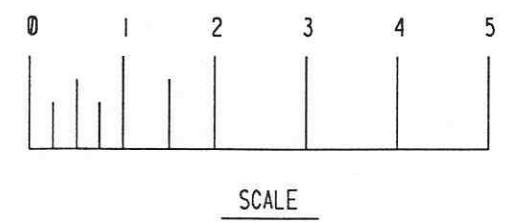
SEE DETAIL 1  
THIS SHEET

BEAM TUBE  
ENCLOSURE

SHT. 3

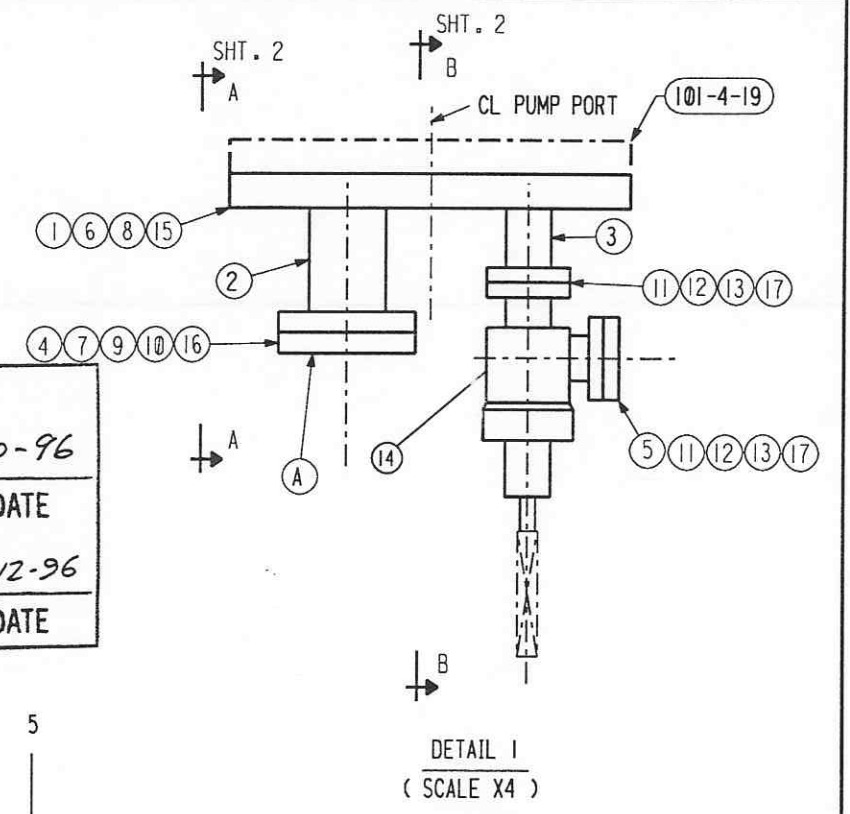
CL ENTRANCE

APPROVED	
<i>M. Jellalian</i>	7-30-96
CBI	DATE
<i>L. Jones</i>	8-12-96
CALTECH	DATE



- NOTES :
- USE WITH DRAWING 102 SHT. 2 & 3
  - 3 SPARE ASSEMBLIES (102-A) ARE INCLUDED IN QUANTITIES.

INDICATES CHANGE FROM PREVIOUS ISSUE

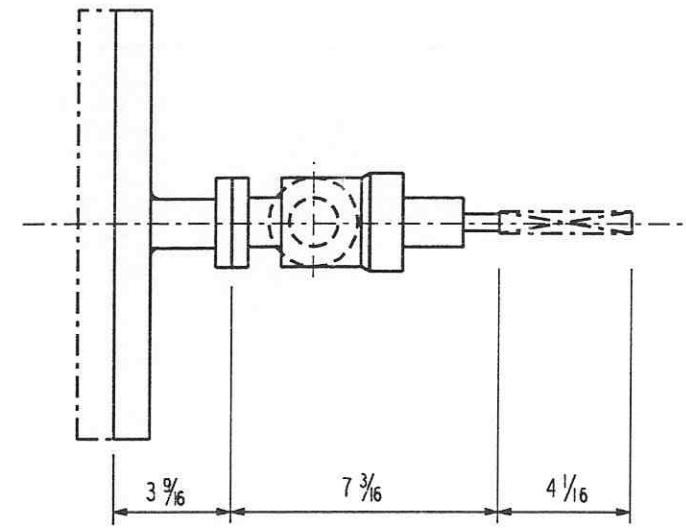
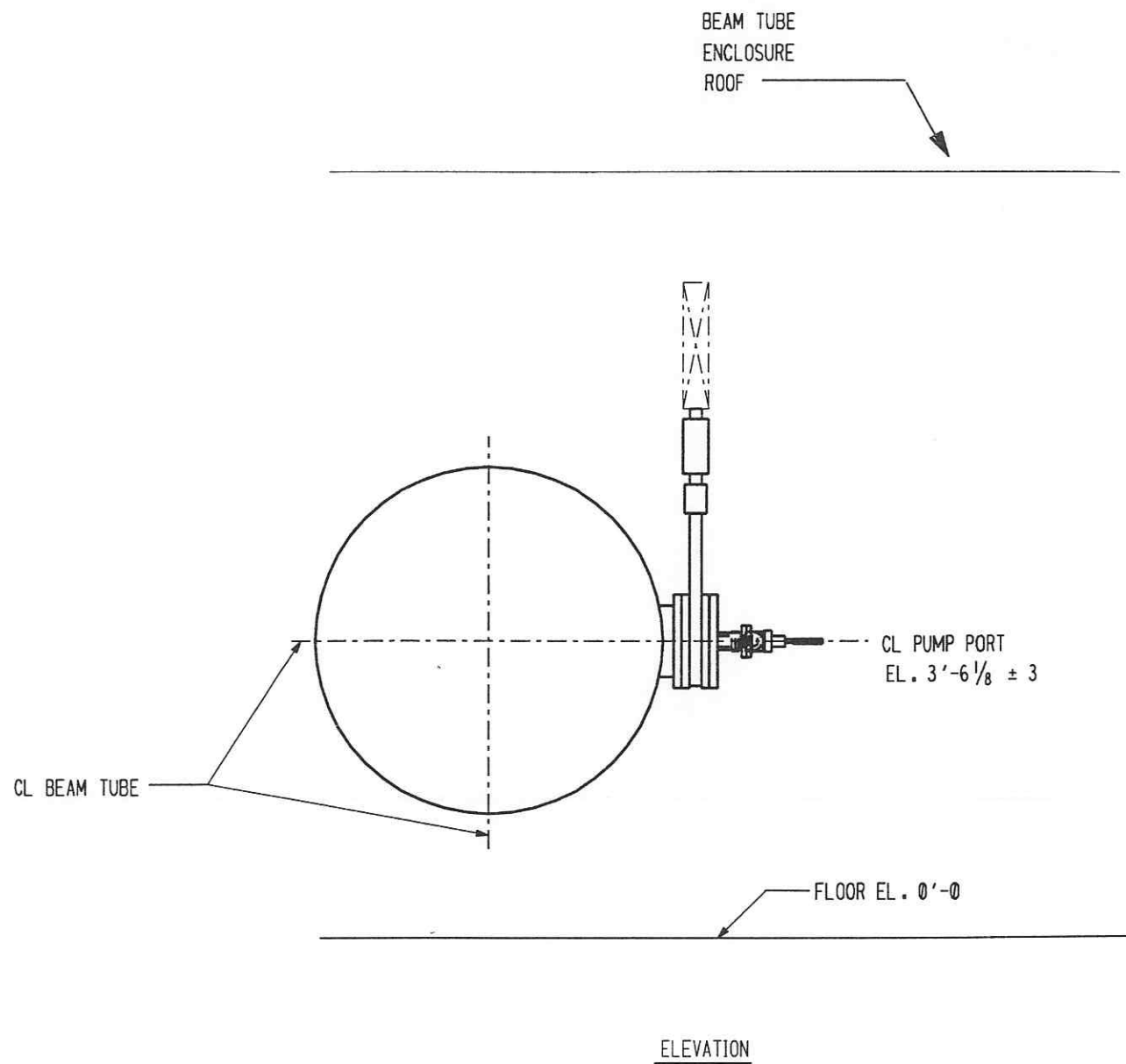


<b>CBI</b>		SUPPLIER'S / PURCHASER'S NO	
LIGO BEAM TUBE HANFORD, WA & LIVINGSTON, LA			
PUMP PORT HARDWARE TYPE "H" PLAN "A"			
CUSTOMER'S NO		CONTRACT NO	
BY RKZ CHKD WAC DATE 3/7/96		953571	
M.J. TELLALIAN ENGINEERING ASSIGNED		DWG 102	REV
		SHT 1	1
LIGO-D961303-01-B			

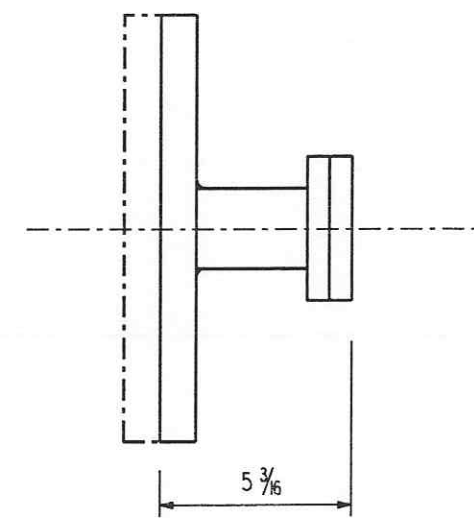
57101107.DGN

ENTIRE DRAWING REVISED

PLAN "A"



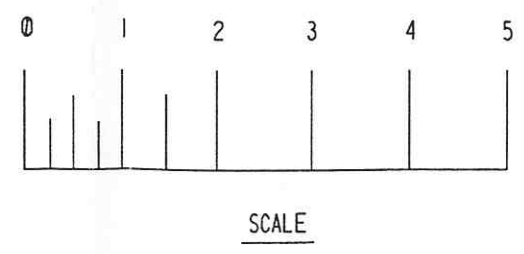
SECTION "A-A" (SHT. 1)  
(SCALE X4)



SECTION "B-B" (SHT. 1)  
(SCALE X4)

APPROVED	
<i>M. Tellalian</i> 7-30-96	
CBI	DATE
<i>L. Jones</i>	8-12-96
CALTECH	DATE

NOTES :  
1. USE WITH DRAWING 102 SHT. 1 & 3



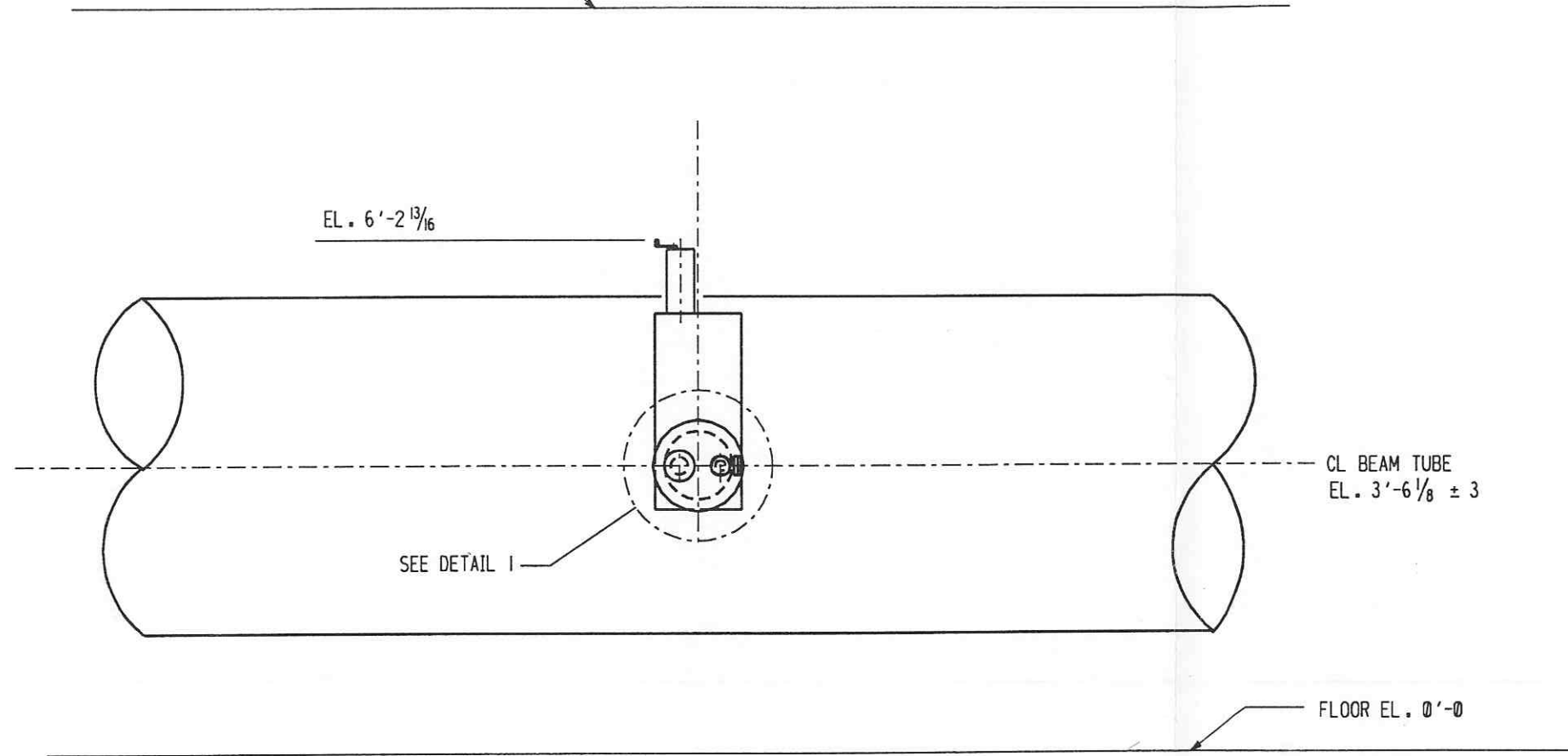
▶ ENTIRE DRAWING REVISED

▶ INDICATES CHANGE FROM PREVIOUS ISSUE

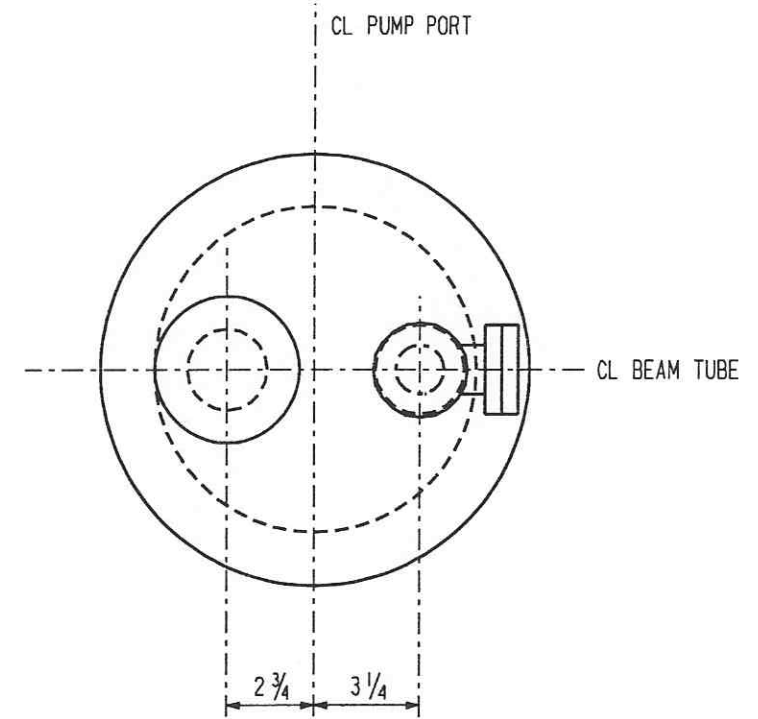
		SUPPLIER'S / PURCHASER'S NO	
		LIGO BEAM TUBE HANFORD, WA & LIVINGSTON, LA PUMP PORT HARDWARE TYPE "H" ELEVATION	
CUSTOMER'S NO BY RKZ CHKD WAC DATE 3/7/96		CONTRACT NO 953571	
M.J. TELLALIAN ENGINEERING ASSIGNED		DWG 102 SHT 2	REV 1
L190-D961303-01-B			

57102102.DGN

BEAM TUBE  
ENCLOSURE  
ROOF



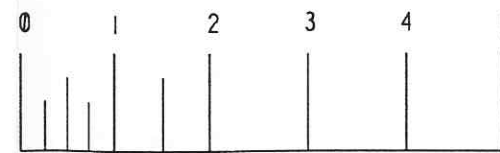
VIEW "C-C" (SHT. 1)



DETAIL 1  
(SCALE X4)

APPROVED	
<i>M. Tellalian</i>	7-30-96
CBI	DATE
<i>L. Jones</i>	8-12-96
CALTECH	DATE

- NOTES :
- USE WITH DRAWING 102 SHT. 1 & 2



SCALE

INDICATES CHANGE FROM PREVIOUS ISSUE

▶ REVISED ENTIRE DRAWING

		SUPPLIER'S / PURCHASER'S NO	
		LIGO BEAM TUBE HANFORD, WA & LIVINGSTON, LA	
PUMP PORT HARDWARE TYPE "H" VIEW "C-C"		CUSTOMER'S NO	
BY <i>RKZ</i> CHKD <i>WAC</i> DATE <i>3/1/96</i>		CONTRACT NO 953571	
M.L. TELLALIAN ENGINEERING ASSIGNED		DWG 102	REV 1
DATE <i>7-30-96</i>		SHT 3	
LIGO-D961303-01-B			

57103102.DGN