

SEE SEPERATE BILL OF MATERIALS

UNLESS OTHERWISE SPECIFIED
DIMENSIONS ARE IN INCHES
TOLERANCES:
FRACTIONAL ±
ANGULAR ± BEND ±
TWO PLACE DECIMAL ±
THREE PLACE DECIMAL ±
FINISHED SURFACE RNS
BREAK CORNERS IN OUT
REMOVE ALL BURRS

DO NOT SCALE THIS DRAWING
USED IN:

NEXT ASSY:

CURRENT REVISION APPROVAL
DRAWN R. Bark
CHECKED
GROUP CDS
SIGNATURE
DATE 10-10-97

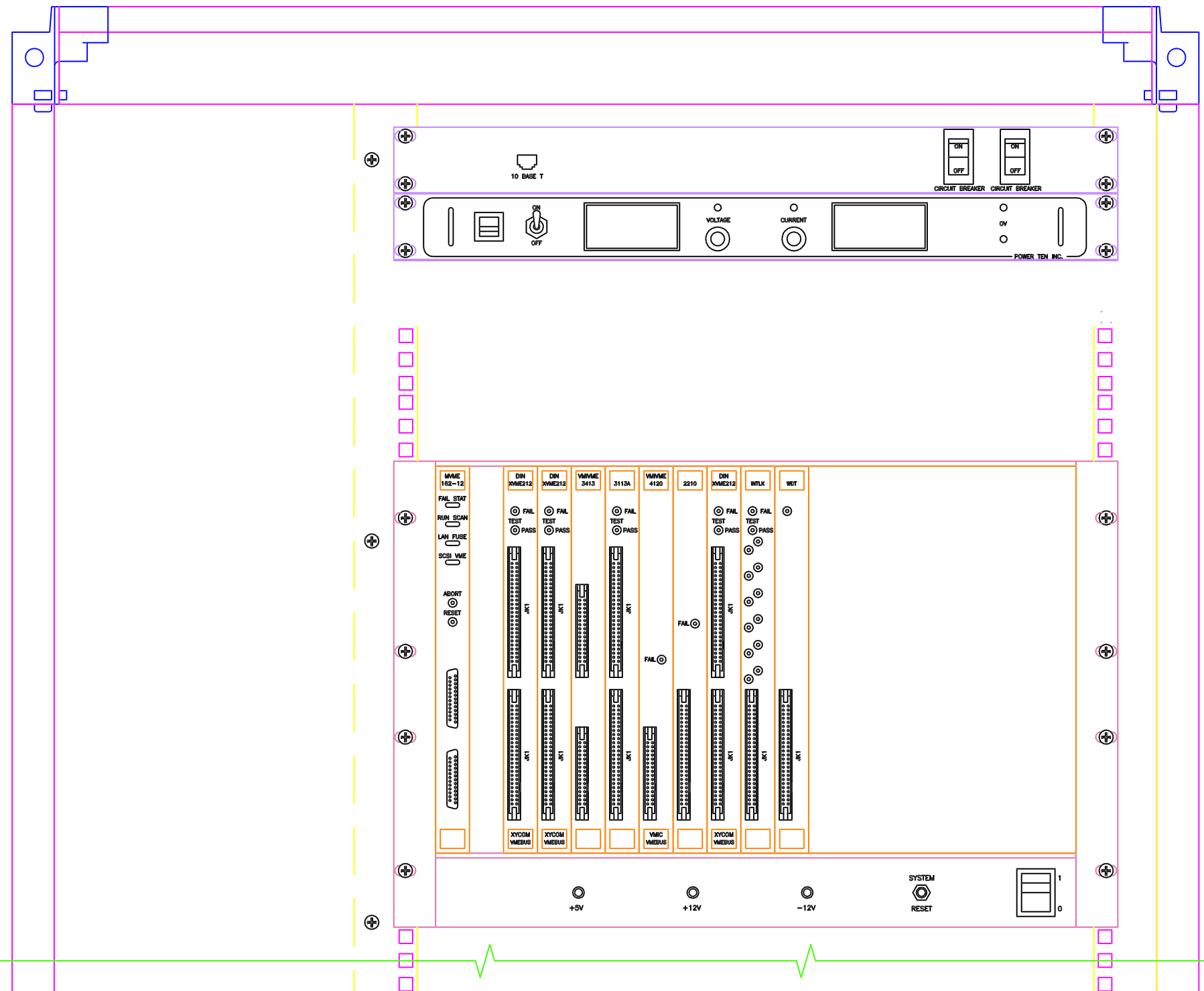
LIGO CALIFORNIA INSTITUTE OF TECHNOLOGY
MASSACHUSETTS INSTITUTE OF TECHNOLOGY

ASSEMBLY
VCMS RACK
LA LVEA X ARM

SCALE - SIZE DWG. NO. B D961348-A-C REV. A
CAD FILE SHEET 1 of 11 VER. 01

DWG. NO.	DESCRIPTION	DWG. NO.	DESCRIPTION
6	REFERENCE DRAWINGS	5	
		4	
		3	
		2	
		1	

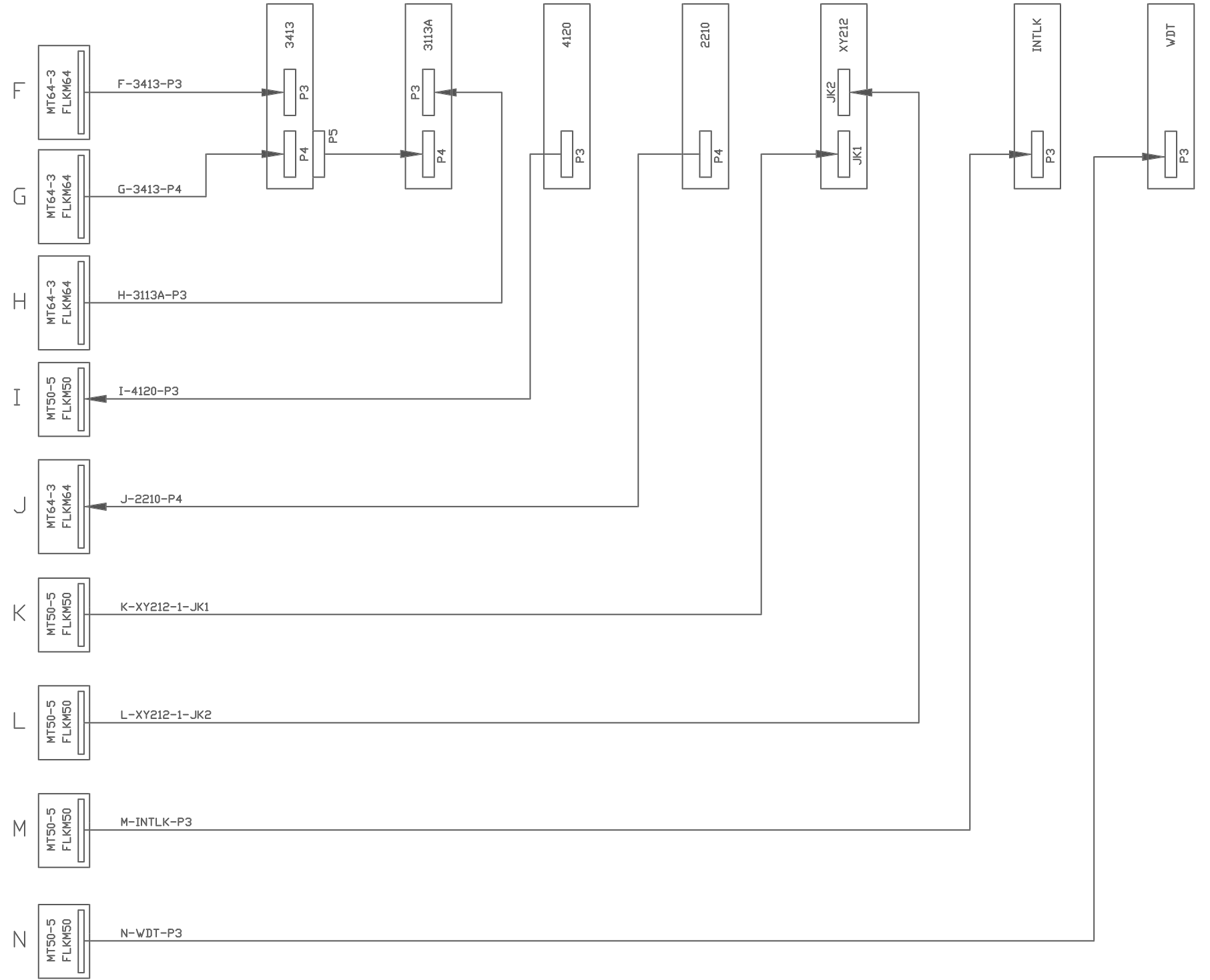
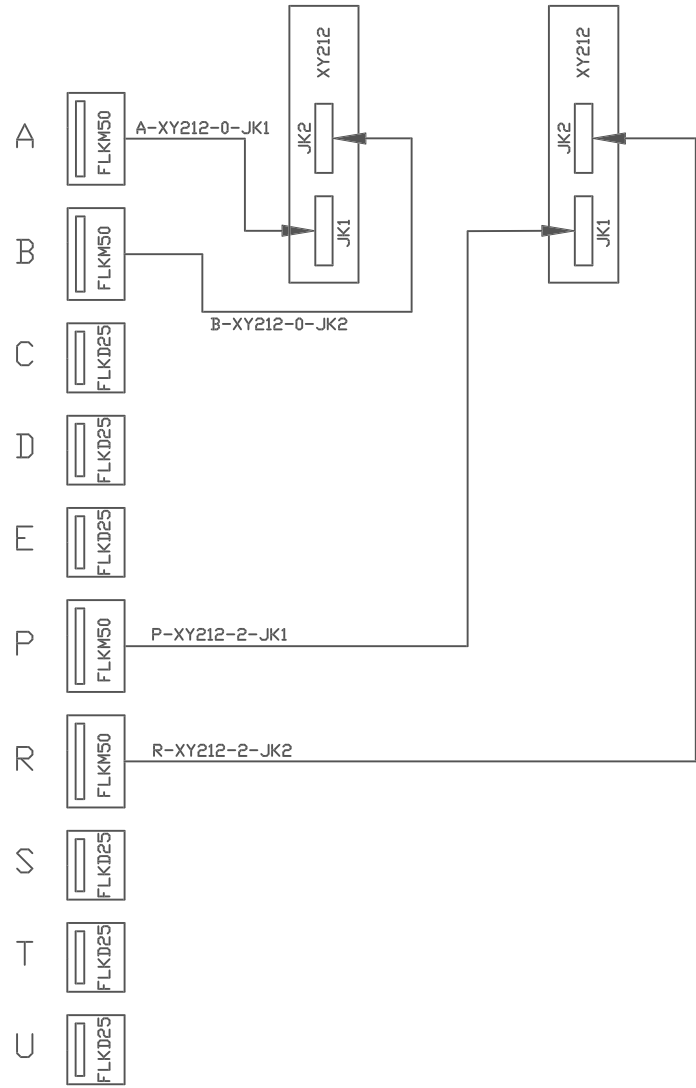
1319S1CA
01-09-97 - 08:12



VME MODULE TABLE	
SLOT #	MODULE NAME
SLOT 0	MVME 162-12
SLOT 1	GPS
SLOT 2	XY212
SLOT 3	XY212
SLOT 4	3413
SLOT 5	3113A
SLOT 6	4120
SLOT 7	2210
SLOT 8	XY212
SLOT 9	INTLK
SLOT 10	WDT

				UNLESS OTHERWISE SPECIFIED DIMENSIONS ARE IN INCHES TOLERANCES: FRACTIONAL ± ANGULAR ± HOLE ± TWO PLACE DECIMAL ± THREE PLACE DECIMAL ± FINISHED SURFACE RNS BREAK CORNERS IN OUT REMOVE ALL BURRS				CURRENT REVISION APPROVAL				LIGO CALIFORNIA INSTITUTE OF TECHNOLOGY MASSACHUSETTS INSTITUTE OF TECHNOLOGY			
				DO NOT SCALE THIS DRAWING				DRAWN R. Bork				ASSEMBLY VCMS RACK LA LVEA X ARM			
DWG. NO.				DESCRIPTION				GROUP CDS				SCALE			
REFERENCE DRAWINGS				USED ON:				CHECKED				DATE 10-10-97			
NEXT ASS'Y:				REV				SIGNATURE				SHEET			
				ISSUE DESCRIPTION				DATE				2 of 11			
								DCC				VER. 01			

1319S1CA
01-09-97 - 08:12



				UNLESS OTHERWISE SPECIFIED DIMENSIONS ARE IN INCHES				CURRENT REVISION APPROVAL				LIGO CALIFORNIA INSTITUTE OF TECHNOLOGY MASSACHUSETTS INSTITUTE OF TECHNOLOGY							
				TOLERANCES: FRACTIONAL * ANGULAR * BEND * TWO PLACE DECIMAL * THREE PLACE DECIMAL * FINISHED SURFACE RNS BREAK CORNERS IN * REMOVE ALL BURRS				DRAWN R. Bork CHECKED				GROUP CDS		SIGNATURE DATE 10-10-97					
				DO NOT SCALE THIS DRAWING				A Initial release per DCN E980122-00-C				VME INTERCONNECT DIAGRAM LA LVEA X ARM							
DWG. NO.		DESCRIPTION		DWG. NO.		DESCRIPTION		REV		SHEETS EFFECTED		DATE		SCALE		SIZE DWG. NO. B D961348-A-C		REV. A	
REFERENCE DRAWINGS				NEXT ASSY:				ISSUE DESCRIPTION				DCC		CAD FILE		SHEET 3 of 11		VER. 01	

6

5

4

3

2

1

A

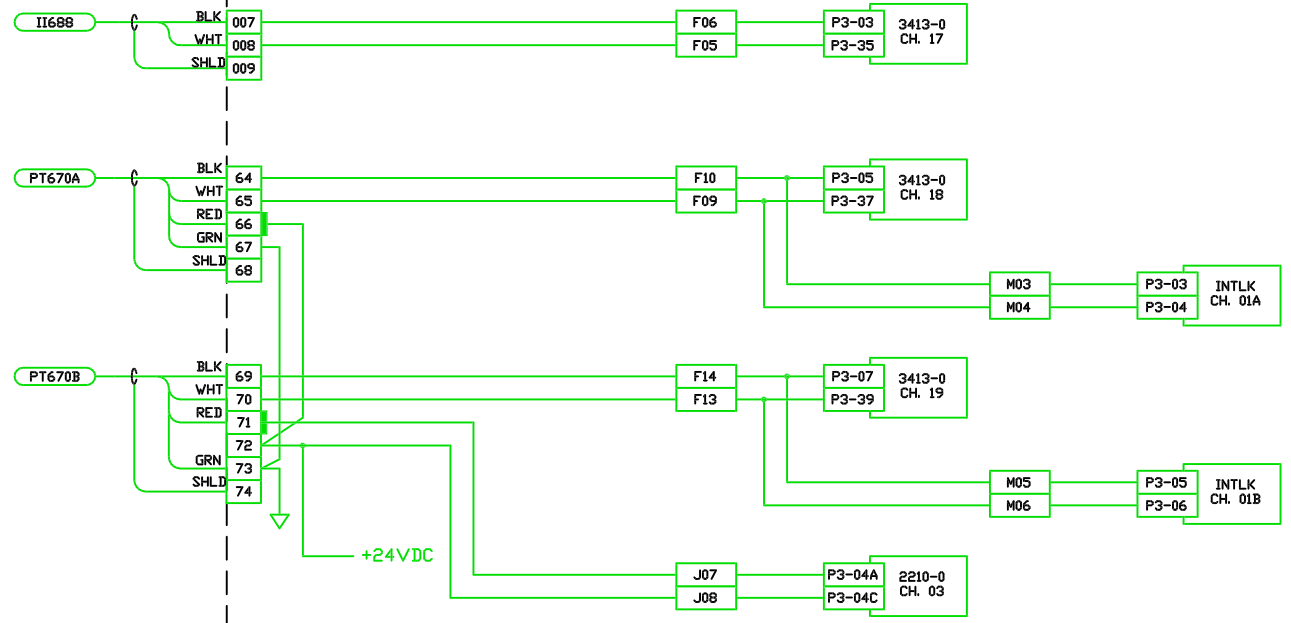
D

C

B

PSI CDS

CDS PSI



UNLESS OTHERWISE SPECIFIED
DIMENSIONS ARE IN INCHES
TOLERANCES:
FRACTIONAL ±
ANGULAR ±
HOLE ±
THREE PLACE DECIMAL ±
FINISHED SURFACE RNS
BREAK CORNERS IN OUT
REMOVE ALL BURRS

DO NOT SCALE THIS DRAWING
USED ON:

NEXT ASS'Y:

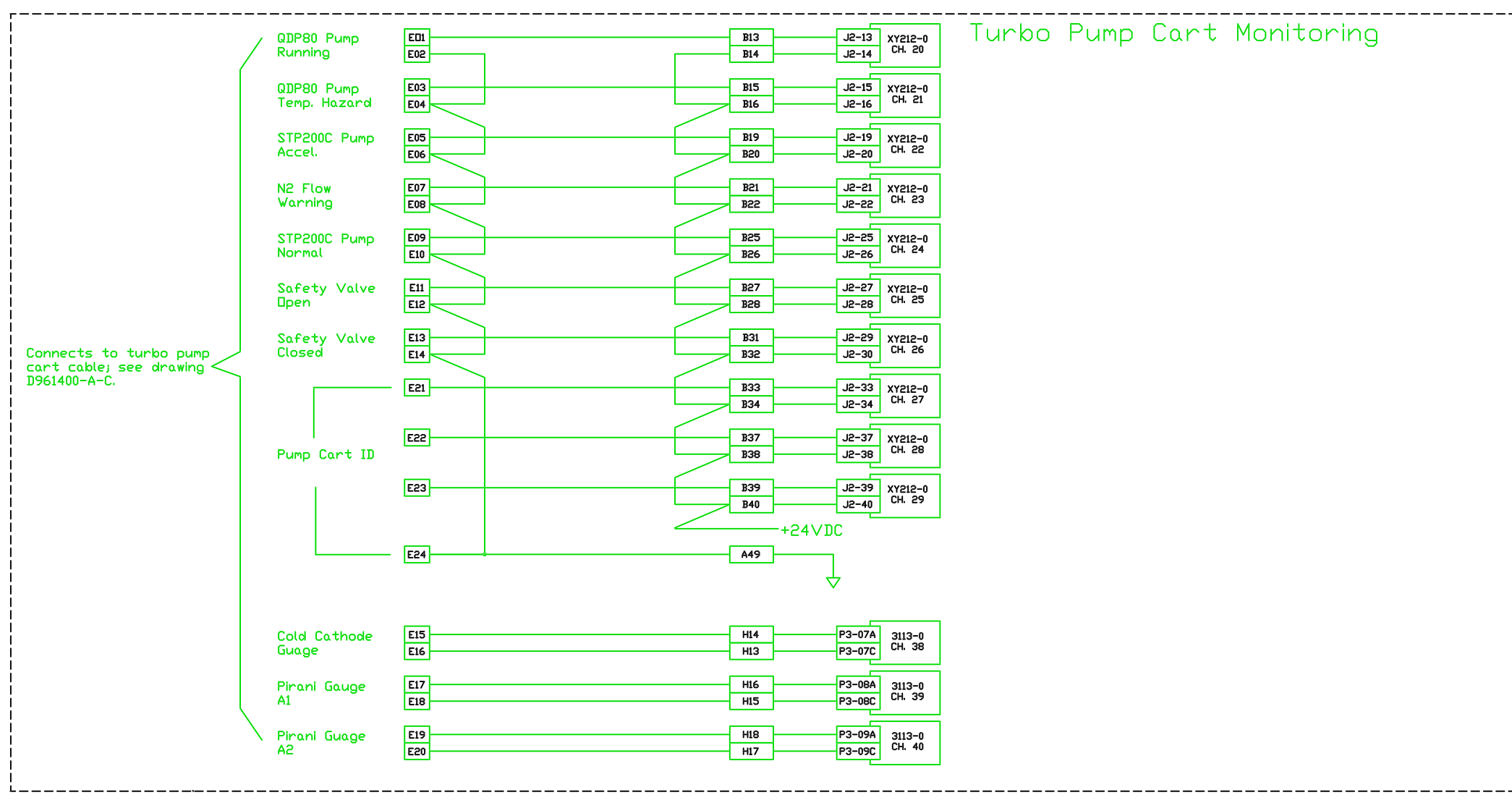
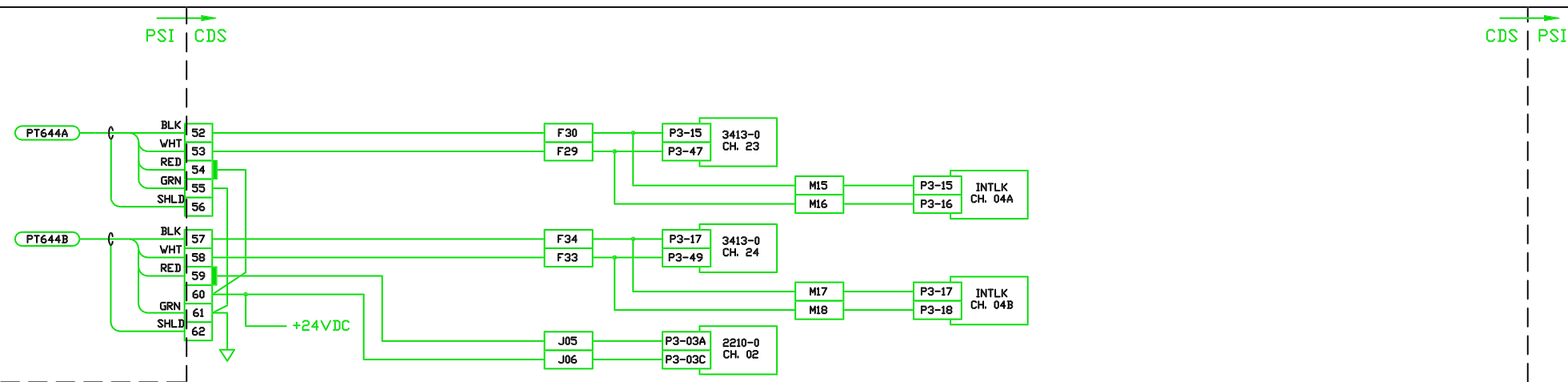
CURRENT REVISION APPROVAL
DRAWN R. Bork
CHECKED
GROUP CDS
SIGNATURE
DATE 10-10-97

LIGO CALIFORNIA INSTITUTE OF TECHNOLOGY
MASSACHUSETTS INSTITUTE OF TECHNOLOGY

VCMS ELECTRICAL DIAGRAM
LA LVEA X ARM
Beam Manifold

REV A Initial release per DCN E980122-00-C

DWG. NO.	DESCRIPTION	DWG. NO.	DESCRIPTION	REV	DESCRIPTION	SHEETS EFFECTED	DATE	SCALE	SIZE	DWG. NO.	REV.
6	REFERENCE DRAWINGS	5							B	D961348-A-C	A
					ISSUE DESCRIPTION						
										4 of 11	VER. 01

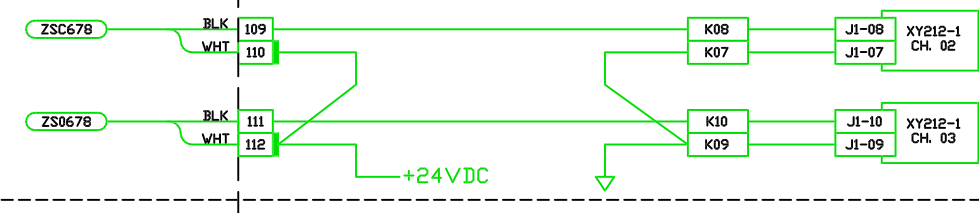


UNLESS OTHERWISE SPECIFIED DIMENSIONS ARE IN INCHES				CURRENT REVISION APPROVAL				LIGO CALIFORNIA INSTITUTE OF TECHNOLOGY MASSACHUSETTS INSTITUTE OF TECHNOLOGY																																			
TOLERANCES: FRACTIONAL ± ANGULAR ± BEND ± TWO PLACE DECIMAL ± THREE PLACE DECIMAL ± FINISHED SURFACE R/S BREAK CORNERS IN CUT REMOVE ALL BURRS				DRAWN: R. Bork CHECKED:				GROUP: CDS SIGNATURE: [Signature] DATE: 10-10-97																																			
DO NOT SCALE THIS DRAWING				A Initial release per DCN E980122-00-C				VCMS ELECTRICAL DIAGRAM LA LVEA X ARM BEAM TUBE																																			
<table border="1" style="width: 100%; border-collapse: collapse;"> <tr> <th>DWG. NO.</th> <th>DESCRIPTION</th> <th>DWG. NO.</th> <th>DESCRIPTION</th> </tr> <tr> <td colspan="4" style="text-align: center;">REFERENCE DRAWINGS</td> </tr> <tr> <td>6</td> <td></td> <td>5</td> <td></td> </tr> </table>				DWG. NO.	DESCRIPTION	DWG. NO.	DESCRIPTION	REFERENCE DRAWINGS				6		5		<table border="1" style="width: 100%; border-collapse: collapse;"> <tr> <th>REV</th> <th>DESCRIPTION</th> <th>SHEETS EFFECTED</th> <th>DATE</th> </tr> <tr> <td colspan="4" style="text-align: center;">ISSUE DESCRIPTION</td> </tr> <tr> <td colspan="4" style="text-align: center;">NEXT ASS'Y:</td> </tr> </table>				REV	DESCRIPTION	SHEETS EFFECTED	DATE	ISSUE DESCRIPTION				NEXT ASS'Y:				<table border="1" style="width: 100%; border-collapse: collapse;"> <tr> <td>SCALE: -</td> <td>SIZE: B</td> <td>DWG. NO.: D961348-A-C</td> <td>REV. A</td> </tr> <tr> <td>CAD FILE:</td> <td>SHEET: 5 of 11</td> <td colspan="2">VER. 01</td> </tr> </table>				SCALE: -	SIZE: B	DWG. NO.: D961348-A-C	REV. A	CAD FILE:	SHEET: 5 of 11	VER. 01	
DWG. NO.	DESCRIPTION	DWG. NO.	DESCRIPTION																																								
REFERENCE DRAWINGS																																											
6		5																																									
REV	DESCRIPTION	SHEETS EFFECTED	DATE																																								
ISSUE DESCRIPTION																																											
NEXT ASS'Y:																																											
SCALE: -	SIZE: B	DWG. NO.: D961348-A-C	REV. A																																								
CAD FILE:	SHEET: 5 of 11	VER. 01																																									

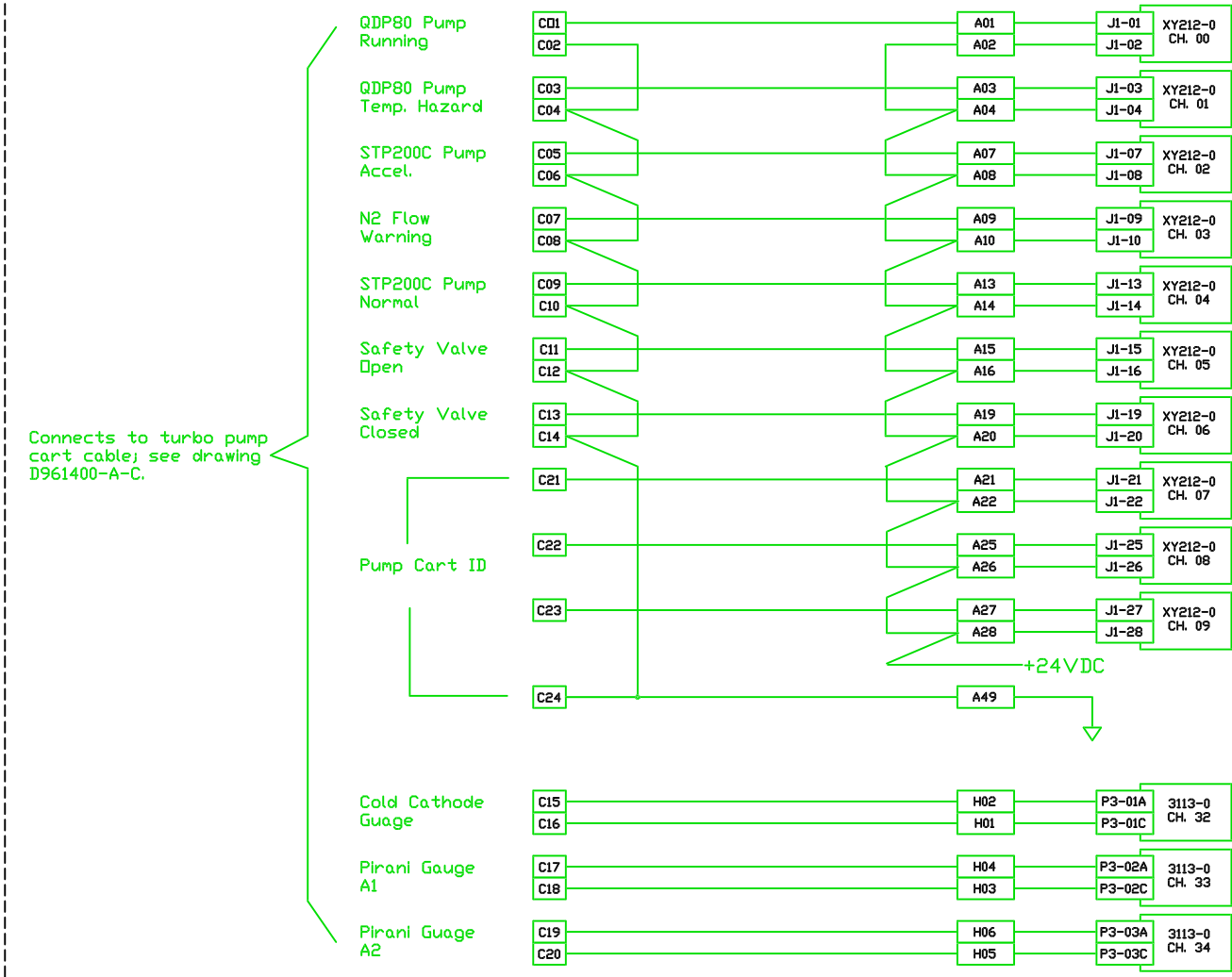
PSI → CDS

CDS → PSI

10" Pumpout Port Valve



Turbo Pump Cart Monitoring



Connects to turbo pump cart cable; see drawing D961400-A-C.

UNLESS OTHERWISE SPECIFIED
DIMENSIONS ARE IN INCHES
TOLERANCES:
FRACTIONAL ±
ANGULAR ±
BEND ±
TWO PLACE DECIMAL ±
THREE PLACE DECIMAL ±
FINISHED SURFACE RNS
BREAK CORNERS IN
REMOVE ALL BURRS

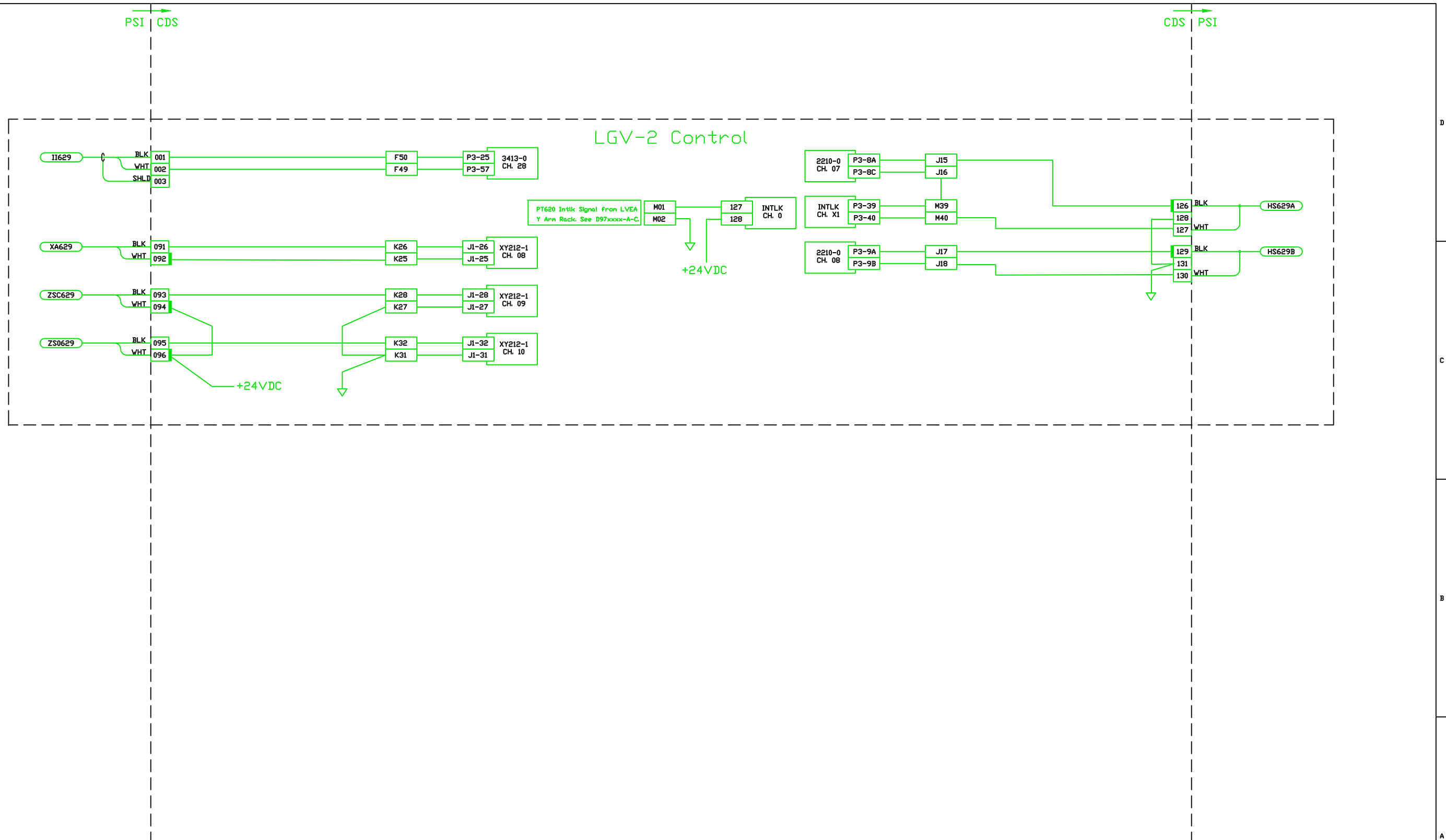
DO NOT SCALE THIS DRAWING
USED ON:
NEXT ASS'Y:

REV	DESCRIPTION	SHEETS EFFECTED	DATE
A	Initial release per DCN E980122-00-C		

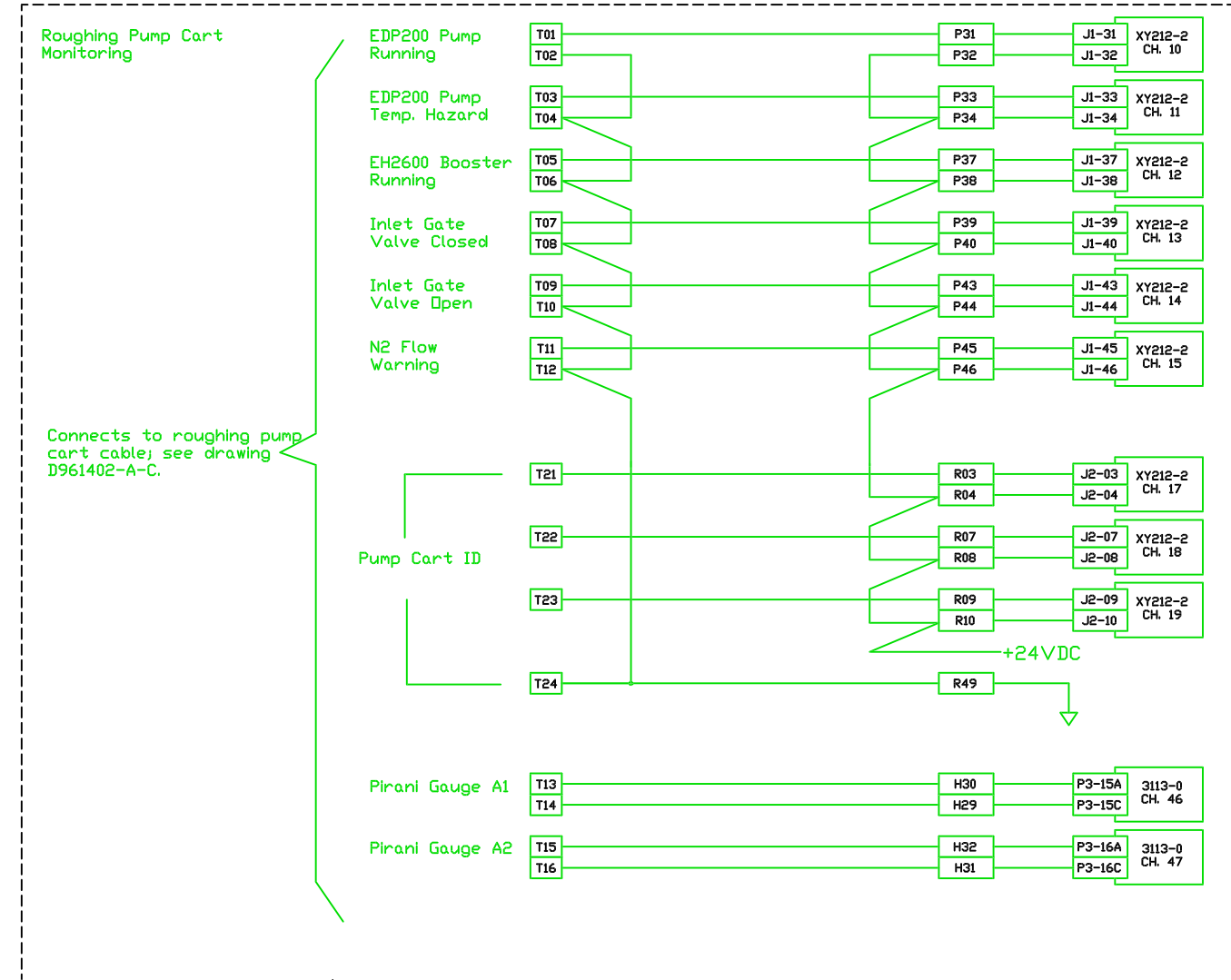
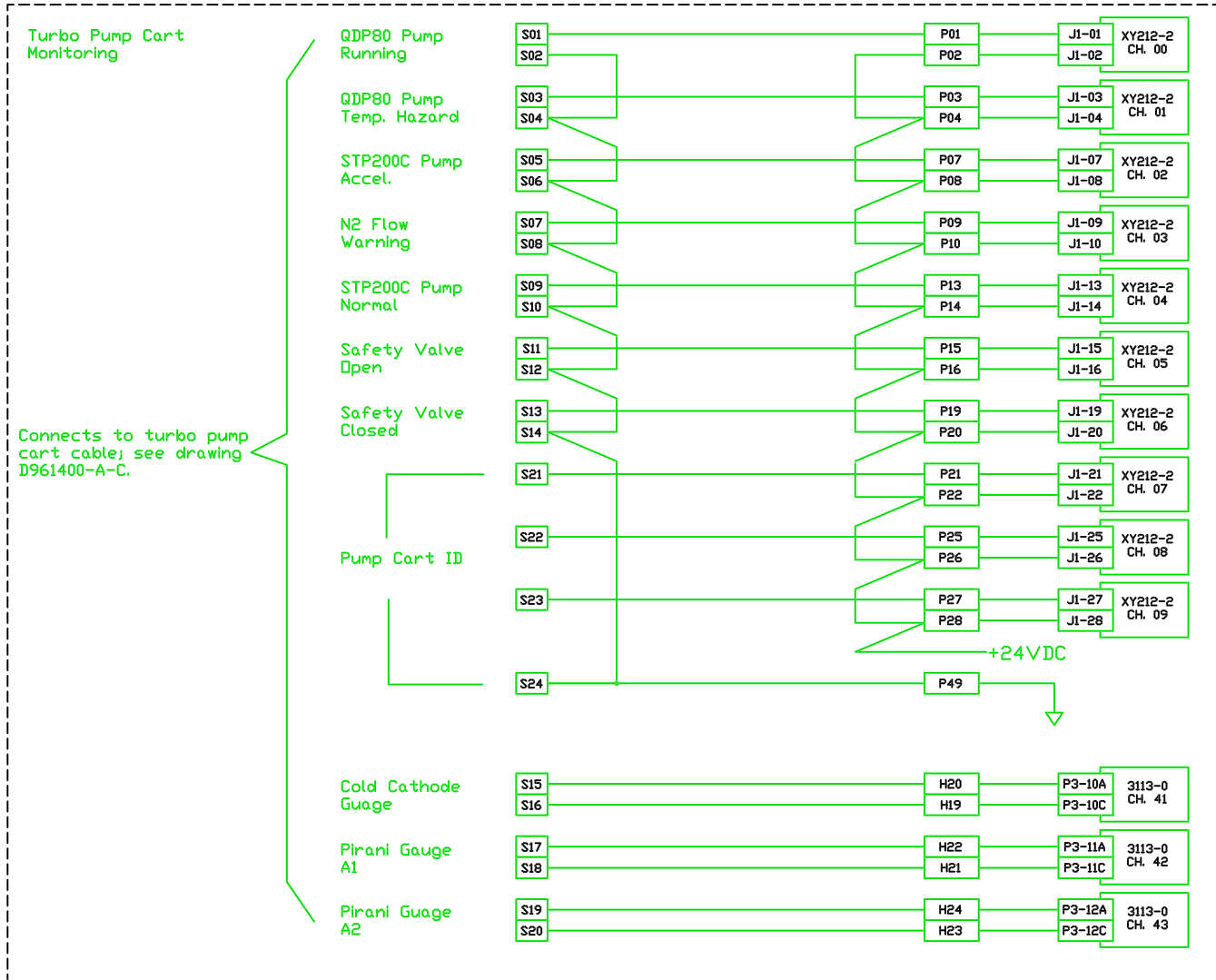
CURRENT REVISION APPROVAL			
DRAWN	GROUP	SIGNATURE	DATE
R. Bork	CDS		10-10-97
CHECKED			

LIGO CALIFORNIA INSTITUTE OF TECHNOLOGY MASSACHUSETTS INSTITUTE OF TECHNOLOGY			
VCMS ELECTRICAL DIAGRAM LA LVEA X ARM LCP2 (2 of 2)			
SCALE	SIZE	DWG. NO.	REV.
-	B	D961348-A-C	A
CAD FILE	SHEET	7 of 11	VER. 01

DWG. NO.	DESCRIPTION	DWG. NO.	DESCRIPTION
6	REFERENCE DRAWINGS	5	



				UNLESS OTHERWISE SPECIFIED DIMENSIONS ARE IN INCHES TOLERANCES: FRACTIONAL ± ANGULAR ± BEND ± TWO PLACE DECIMAL ± THREE PLACE DECIMAL ± FINISHED SURFACE RNS BREAK CORNERS IN OUT REMOVE ALL BURRS				CURRENT REVISION APPROVAL				LIGO CALIFORNIA INSTITUTE OF TECHNOLOGY MASSACHUSETTS INSTITUTE OF TECHNOLOGY	
				A Initial release per DCN E980122-00-C				DRAWN R. Bork CHECKED				GROUP CDS SIGNATURE DATE 10-10-97	
DO NOT SCALE THIS DRAWING				REV				SHEETS EFFECTED				SCALE	
DWG. NO. DESCRIPTION				ISSUE DESCRIPTION				DATE				SIZE DWG. NO. D961348-A-C	
REFERENCE DRAWINGS				NEXT ASS'Y:				DCC				SHEET 8 of 11	
6				5				4				3	
												REV. A	



UNLESS OTHERWISE SPECIFIED DIMENSIONS ARE IN INCHES TOLERANCES: FRACTIONAL ± ANGULAR/BEND ± TWO PLACE DECIMAL ± THREE PLACE DECIMAL ± FINISHED SURFACE RNS BREAK CORNERS IN REMOVE ALL BURRS				DRAWN R. Bork				CURRENT REVISION APPROVAL				LIGO CALIFORNIA INSTITUTE OF TECHNOLOGY MASSACHUSETTS INSTITUTE OF TECHNOLOGY			
DO NOT SCALE THIS DRAWING				A Initial release per DCN E980122-00-C				GROUP CDS				VCMS ELECTRICAL DIAGRAM LA LVEA X ARM Vertex PUMP PORTS			
USED ON:				REV				SIGNATURE				SCALE			
NEXT ASSY:				DESCRIPTION				DATE				SIZE DWG. NO. B D961348-A-C			
REFERENCE DRAWINGS				ISSUE DESCRIPTION				SHEETS EFFECTED				CAB FILE			
DWG. NO.				DWG. NO.				DATE				REV. A			
6				5				3				11 of 11			
								DCC				SHEET 11 of 11			